

EPSON STYLUS PHOTO

Page 1 of 10

| REF | PART NO. | REMARKS | QTY | DESCRIPTION | RRP |
|------------|------------|-----------------------|-----|-----------------------------|---------|
| 100 | 1032259 | | 1 | HOUSING | £11.73 |
| 101 | 1033230 | | 5 | FOOT | £0.43 |
| 102 | 1032273 | | 1 | COVER ASSY. | £10.36 |
| 103 | 1030631 | | 1 | HOUSING SUPPORT RIGHT | £0.85 |
| 104 | 1030633 | | 1 | HOUSING SUPPORT LEFT | £0.85 |
| 105 | 1032266 | | 1 | HOUSING PANEL LEFT | £1.28 |
| 106 | 1030669 | | 2 | GROUNDING PLATE | £0.43 |
| 107 | 1032271 | | 1 | STACKER ASSY. | £10.36 |
| 108 | 1032272 | | 1 | PANEL ASSY. | £6.12 |
| 109 | 1031312 | | 1 | PAPER SUPPORT ASSY. | £5.62 |
| 110 | 1030604 | | 1 | BUTTON P/S | £0.43 |
| 111 | 1030606 | | 1 | COVER INLET UPPER | £0.85 |
| 112 | 1030607 | | 1 | COVER INLET LOWER | £0.85 |
| 113 | 1030608 | | 2 | COVER CABLE | £0.43 |
| 114 | 1033910 | | 1 | ADAPTER PAPER SUPPORT | £2.12 |
| 115 | 1034592 | | 1 | LOGO PLATE;B | £0.85 |
| 116 | 1030603 | | 1 | SHIELD PLATE PANEL | £0.43 |
| 117 | 1030609 | | 3 | COVER SHIELD PLATE M/B RT. | £0.43 |
| 118 | 1030610 | | 1 | COVER SHIELD PLATE M/B LT. | £0.43 |
| 119 | 1031165 | | 1 | MINI CLAMP | £0.43 |
| 120 | 1032587 | | 1 | SHIELD PLATE M/B;C | £4.24 |
| 121 | B010109511 | M3X4 | 3 | C.P.SCREW | £0.43 |
| 122 | B300204211 | M3X6 | 23 | C.B.S. SCREW | £0.43 |
| 123 | 1032538 | | 1 | C.B.(O) SCREW 4X5 F/ZG | £0.43 |
| 124 | B300204411 | M3X10 | 4 | C.B.S. SCREW | £0.43 |
| 125 | 1005019 | M3X8 F/ZN | 2 | C.B.P-TITE SCREW 3X8 F/ZN | £0.43 |
| 126 | 1012350 | | 2 | C.B.P-TITE 3X10 F/ZN | £0.43 |
| 127 | 1032600 | | 1 | COVER SUPPORT | £19.55 |
| 200 | 2024660 | | 1 | BOARD ASSY. MAIN | £268.78 |
| BAT1 | 2012596 | | 1 | LITHIUM BATTERY | £211.60 |
| BAT1 | 2023337 | | 1 | BATTERY HOLDER | £1.70 |
| CN1 | 2013284 | 36 | 1 | C'CTOR 57RE-40360-830B(D7B) | £2.97 |
| CN10 | 2005704 | 8 PIN | 1 | CONNECTOR | £0.85 |
| CN11 | 2007097 | 3 | 1 | CONNECTOR | £0.43 |
| CN2 | 2023153 | 8 | 1 | CONNECTOR | £2.55 |
| CN3 | 2023034 | 12 | 1 | CONNECTOR | £0.43 |
| CN4 | 2022864 | 3 | 1 | CONNECTOR | £0.43 |
| CN5 | X600440310 | 3 PIN | 1 | CONNECTOR | £0.43 |
| CN6-CN7 | 2017936 | 4 | 2 | CONNECTOR | £0.85 |
| CN8 | 2023336 | 25 | 1 | CONNECTOR | £0.85 |
| CR1 | 2021879 | 25MHZ | 1 | CERAMIC OSCILLATOR | £1.70 |
| CR2 | 2023326 | 14MHZ | 1 | CERAMIC OSCILLATOR | £1.70 |
| CR3 | 2023154 | 0KHZ | 1 | QUARTZ OSCILLATOR | £1.28 |
| C1 | X281312201 | 22PF 50V 5% | 1 | CHIP CAPACITOR | £0.43 |
| C11-C13 | X281326801 | 68PF 50MV 5% | 3 | CHIP CAPACITOR | £0.43 |
| C14-C32 | 2002487 | 0.01UF 50V 10% | 2 | CHIP CAPACITOR | £0.43 |
| C15-C65 | 2004332 | TP10UF 50V+-20% | 2 | E'LYTIC CAPACITOR | £0.43 |
| C16-C42 | 2023447 | TP100UF50V+-20% | 2 | AL'IUM. EL'YTIC. CAP. | £0.85 |
| C17-C43 | X271601051 | 470PF 50V 10% | 2 | CHIP CAPACITOR | £0.43 |
| C18-C19 | X281326801 | 68PF 50MV 5% | 2 | CHIP CAPACITOR | £0.43 |
| C2-C26-C29 | 2002486 | 0.1UF DC25V +80% -20% | 3 | CHIP CAPACITOR | £0.43 |
| C20-C81 | X281311011 | 100PF 50V 5% | 2 | CHIP CAPACITOR | £0.43 |
| C21-C28 | 2003619 | | 2 | CHIP CAPACITOR | £0.43 |
| C22-C25 | 2002487 | 0.01UF 50V 10% | 4 | CHIP CAPACITOR | £0.43 |
| C27 | 2023050 | TP 220UF 10V+-20% | 1 | AL'IUM. EL'YTIC. CAP. | £0.43 |
| C3 | 2023032 | TP 0.012UF 50V+-10% | 1 | CHIP CAPACITOR | £0.43 |
| C30-C40 | 2002486 | 0.1UF DC25V +80% -20% | 2 | CHIP CAPACITOR | £0.43 |
| C31-C84 | X271121021 | 1000PF DC50V 10% | 2 | CHIP CERAMIC CAPACITOR | £0.43 |
| C33-C45 | 2003619 | | 2 | CHIP CAPACITOR | £0.43 |
| C35-C38 | X281311011 | 100PF 50V 5% | 4 | CHIP CAPACITOR | £0.43 |
| C4-C10 | 2002486 | 0.1UF DC25V +80% -20% | 7 | CHIP CAPACITOR | £0.43 |
| C41-C44 | 2002486 | 0.1UF DC25V +80% -20% | 2 | CHIP CAPACITOR | £0.43 |
| C46-C47 | 2002486 | 0.1UF DC25V +80% -20% | 2 | CHIP CAPACITOR | £0.43 |
| C48-C55 | 2016428 | TP 33UF 16V+-20% | 2 | ELECTROLYTIC CAPACITOR | £0.43 |
| C49-C53 | 2002486 | 0.1UF DC25V +80% -20% | 2 | CHIP CAPACITOR | £0.43 |
| C50-C52 | 2002487 | 0.01UF 50V 10% | 3 | CHIP CAPACITOR | £0.43 |
| C54 | 2011982 | 22UF 16V | 1 | ELECTRIC ALMI CAPACITOR | £0.43 |
| C56-C57 | 2002486 | 0.1UF DC25V +80% -20% | 2 | CHIP CAPACITOR | £0.43 |

ESP0519/1

EPSON

STYLUS PHOTO

Page 2 of 10

| REF | PART NO. | REMARKS | QTY | DESCRIPTION | RRP |
|-----------|------------|------------------------|-----|-----------------------------|--------|
| C58-C67 | 2002487 | 0.01UF 50V 10% | 2 | CHIP CAPACITOR | £0.43 |
| C59 | 2023447 | TP 100UF 50V +-20% | 1 | AL'UM. EL'YTIC. CAP. | £0.85 |
| C60-C69 | 2002486 | 0.1UF DC25V +80% -20% | 2 | CHIP CAPACITOR | £0.43 |
| C61-C62 | X271124711 | 470PF 50V 10% | 2 | CHIP CAPACITOR | £0.43 |
| C63-C64 | 2003503 | TP 3300PF 50V+-10% | 2 | CHIP CAPACITOR | £0.43 |
| C66 | 2004332 | TP 10UF 50V+-20% | 1 | ELECTROLYTIC CAPACITOR | £0.43 |
| C68 | 2003619 | | 1 | CHIP CAPACITOR | £0.43 |
| C70-C82 | 2002486 | 0.1UF DC25V +80% -20% | 2 | CHIP CAPACITOR | £0.43 |
| C71-C72 | 2003503 | TP 3300PF 50V+-10% | 2 | CHIP CAPACITOR | £0.43 |
| C73-C74 | X271124711 | 470PF 50V 10% | 2 | CHIP CAPACITOR | £0.43 |
| C75-C83 | 2002487 | 0.01UF 50V 10% | 2 | CHIP CAPACITOR | £0.43 |
| C80 | X271601051 | 470PF 50V 10% | 1 | CHIP CAPACITOR | £0.43 |
| C85-C94 | X271121021 | 1000PF DC50V 10% | 2 | CHIP CERAMIC CAPACITOR | £0.43 |
| C92 | X281326801 | 68PF 50MV 5% | 1 | CHIP CAPACITOR | £0.43 |
| C93 | 2002486 | 0.1UF DC25V +80% -20% | 1 | CHIP CAPACITOR | £0.43 |
| C95 | X281311011 | 100PF 50V 5% | 1 | CHIP CAPACITOR | £0.43 |
| D1 | 2002872 | 30V 70MA | 1 | DIODE | £0.43 |
| D2-D4 | 2014230 | 80V 100MA 0MW | 2 | DIODE | £0.43 |
| D6-D13 | 2021266 | TP 60V 0.71A | 8 | DIODE | £0.85 |
| FL1-FL3 | 2005522 | | 3 | EMI FILTER | £0.85 |
| F1 | X502036070 | 0.7A 50V | 1 | FUSE | £0.85 |
| IC1 | 2023322 | 100 | 1 | MICRO CONT.TMP95C061BF | £26.82 |
| IC10 | 2023157 | | 1 | TIMER IC S-3510ANFJ | £3.82 |
| IC11 | 2014681 | SOP1K BIT 8 | 1 | EEPROM AT93C46-10SC | £2.97 |
| IC13 | X422350079 | HEX BUF/DRV OC HI-VOCT | 1 | TTL-IC | £2.12 |
| IC14-IC15 | 2017973 | | 2 | HIC UDN2917EB-TR | £12.70 |
| IC16 | 2021049 | | 1 | I/F IC SN75LBC775 | £14.90 |
| IC2 | 2023324 | 208 | 1 | GATE ARRAY | £35.24 |
| IC3 | X630114030 | 40 PIN | 1 | IC SOCKET | £0.85 |
| IC5 | 2023181 | TP 1M BIT 70NS 40 | 1 | D-RAM TC514170DJ-70 | £21.21 |
| IC7 | 2023685 | 25 PIN | 1 | HIC H8D2813E | £24.70 |
| IC8 | 2009451 | SOP 4 | 1 | RESET IC PST592DMT | £1.70 |
| IC9 | 2007915 | 8 PIN | 1 | RESET IC M51955BFP-600C | £2.12 |
| QM2 | 2023325 | 50V 50MA 300MW | 1 | TRANSISTOR | £0.43 |
| Q1 | 2019965 | -50 -100MA 200MW 0 0 | 1 | TRANSISTOR | £0.43 |
| Q7 | 2024208 | 60V 5A 2W 0 0 | 1 | TRANSISTOR | £2.12 |
| Q7-Q9 | 1032224 | | 1 | HEAT SINK | £1.28 |
| Q7-Q9 | B010303311 | M3X6 | 2 | C.B.SCREW | £0.43 |
| Q9 | 2024209 | -60-5A 2W 0 0 | 1 | TRANSISTOR | £2.12 |
| RM1 | 2021626 | TP 1KOHM 1/16W +-5% | 1 | CHIP RESISTOR ARRAY | £0.43 |
| RM13 | 2021627 | TP 3.3KOHM 1/16W +-5% | 1 | CHIP RESISTOR ARRAY | £0.43 |
| RM14-RM16 | 2021621 | TP 47OHM 1/16W +-5% | 3 | CHIP RESISTOR ARRAY | £0.43 |
| RM2-RM6 | 2021627 | TP 3.3KOHM 1/16W +-5% | 5 | CHIP RESISTOR ARRAY | £0.43 |
| RM7 | 2021624 | TP 100OHM 1/16W +-5% | 1 | CHIP RESISTOR ARRAY | £0.43 |
| RM8-RM12 | 2021621 | TP 47OHM 1/16W +-5% | 5 | CHIP RESISTOR ARRAY | £0.43 |
| R10 | 2008778 | 120K OHM 1/10W 1% | 1 | CHIP RESISTOR | £0.43 |
| R11 | 2023158 | TP 75KOHM 1/10W +-5% | 1 | CHIP RESISTOR | £0.43 |
| R12-R164 | 2001535 | 15K OHM 1/10W 5% | 2 | CHIP RESISTOR | £0.43 |
| R121-R124 | 2005470 | 56K OHM 1/10W 5% | 2 | CHIP RESISTOR | £0.43 |
| R122-R125 | 2018196 | BL 0.62OHM 1W % | 2 | METAL OXIDE FILM RESISTOR | £0.43 |
| R123-R126 | X193011022 | 1K OHM 1/10W 5% | 2 | CHIP RESISTOR ERJ-6GEYJ102V | £0.43 |
| R129-R131 | 2017916 | BL 0.47OHM 1W % | 2 | METAL OXIDE FILM RESISTOR | £0.43 |
| R130-R132 | X193011022 | 1K OHM 1/10W 5% | 2 | CHIP RESISTOR ERJ-6GEYJ102V | £0.43 |
| R133-R134 | 2005470 | 56K OHM 1/10W 5% | 2 | CHIP RESISTOR | £0.43 |
| R135 | 2001541 | 1M OHM 1/10W 5% | 1 | CHIP RESISTOR | £0.43 |
| R136 | X193012202 | 22 OHM 1/10W 5% | 1 | CHIP RESISTOR | £0.43 |
| R137-R142 | X193011032 | 10K OHM 1/10W 5% | 2 | CHIP RESISTOR ERJ-6GEYJ103V | £0.43 |
| R140 | 2001520 | 100 OHM 1/10W 5% | 1 | CHIP RESISTOR | £0.43 |
| R143-R165 | X193011032 | 10K OHM 1/10W 5% | 2 | CHIP RESISTOR ERJ-6GEYJ103V | £0.43 |
| R15-R83 | 2008955 | 200 OHM 1/4W 5% | 2 | CHIP RESISTOR | £0.43 |
| R16-R20 | X193011032 | 10K OHM 1/10W 5% | 2 | CHIP RESISTOR ERJ-6GEYJ103V | £0.43 |
| R17 | 2005056 | 10 OHM 1/10W 5% | 1 | CHIP RESISTOR | £0.43 |
| R18-R33 | 2023604 | TP 698OHM 1/10W +-1% | 2 | CHIP RESISTOR | £0.43 |
| R19 | 2023605 | TP 9.091KOH 1/10W +-1% | 1 | CHIP RESISTOR | £0.43 |
| R2-R13 | 2008955 | 200 OHM 1/4W 5% | 2 | CHIP RESISTOR | £0.43 |
| R21-R25 | X193011032 | 10K OHM 1/10W 5% | 2 | CHIP RESISTOR ERJ-6GEYJ103V | £0.43 |
| R22 | X193211012 | 100 OHM 1/2W 5% | 1 | CHIP RESISTOR | £0.43 |
| R23-R37 | 2008817 | 1K OHM 1/10W 1% | 2 | CHIP RESISTOR | £0.43 |

ESP0519/2

EPSON STYLUS PHOTO

Page 3 of 10

| REF | PART NO. | REMARKS | QTY | DESCRIPTION | RRP |
|-----------|------------|-----------------------|-----|------------------------------|---------|
| R24-R46 | 2013180 | TP 2.87KOHM 1/10W+-1% | 2 | CHIP RESISTOR | £0.43 |
| R26-R77 | X193011032 | 10K OHM 1/10W 5% | 2 | CHIP RESISTOR ERJ-6GEYJ103V | £0.43 |
| R27-R29 | 2004793 | TP 300OHM 1/10W+-5% | 3 | CHIP RESISTOR ERJ-6GEYJ301V | £0.43 |
| R3 | 2001528 | 1.5K OHM 1/10W 5% | 1 | CHIP RESISTOR | £0.43 |
| R30 | X193013312 | 330 OHM 1/10W 5% TP | 1 | CHIP RESISTOR | £0.43 |
| R31 | 2004793 | TP 300OHM 1/10W +-5% | 1 | CHIP RESISTOR ERJ-6GEYJ301V | £0.43 |
| R32-R45 | 2013100 | TP 2.1KOHM 1/10W+-1% | 2 | CHIP RESISTOR | £0.85 |
| R35-R41 | X194604022 | 40.2K OHM 1/10W 1% | 2 | CHIP RESISTOR ERJ-6ENF4022V | £0.43 |
| R36-R47 | X194601182 | 11.8K OHM 1/10W 1% | 2 | CHIP RESISTOR | £0.43 |
| R39-R40 | 2001532 | 5.6K OHM 1/10W 5% | 2 | CHIP RESISTOR | £0.43 |
| R42 | X194601002 | 10K OHM 1/16W 1% | 1 | CHIP RESISTOR | £0.43 |
| R43 | 2005469 | 30K OHM | 1 | CHIP RESISTOR | £0.43 |
| R44 | 2023604 | TP 698OHM 1/10W+-1% | 1 | CHIP RESISTOR | £0.43 |
| R5-R7-R14 | X193011022 | 1K OHM 1/10W 5% | 3 | CHIP RESISTOR ERJ-6GEYJ102V | £0.43 |
| R50-R52 | 2001519 | 68 OHM 1/10W 5% | 3 | CHIP RESISTOR | £0.43 |
| R53 | X130121016 | 100 OHM 1W 5% | 1 | METAL OXIDE FILM RESISTOR | £0.43 |
| R55 | 2001517 | 47 OHM 1/10W 5% | 1 | CHIP RESISTOR | £0.43 |
| R57 | X194603570 | TP 357OHM 1/10W+-1% | 1 | CHIP RESISTOR | £0.43 |
| R58 | 2013179 | TP 1.05KOHM 1/10W+-1% | 1 | CHIP RESISTOR | £0.43 |
| R59 | X194602151 | 2.15K OHM 1/10W 1% | 1 | CHIP RESISTOR | £0.43 |
| R6 | 2011643 | TP 4.64KOHM 1/10W+-1% | 1 | CHIP RESISTOR | £0.43 |
| R60 | X194604751 | 4.75K OHM 1/10W 1% | 1 | CHIP RESISTOR | £0.43 |
| R65-R67 | 2001532 | 5.6K OHM 1/10W 5% | 3 | CHIP RESISTOR | £0.43 |
| R68-R70 | 2006284 | 0 OHM | 3 | CHIP RESISTOR | £0.43 |
| R8 | 2005302 | 3.9K OHM | 1 | CHIP RESISTOR | £0.43 |
| R82-R138 | 2001531 | 3.3 OHM 1/10W 5% | 2 | CHIP RESISTOR | £0.43 |
| R84 | 2017884 | BL 2OHM 1W+-5% | 1 | METAL FILM RESISTOR | £0.43 |
| R85-R87 | 2001519 | 68 OHM 1/10W 5% | 3 | CHIP RESISTOR | £0.43 |
| R9-R94 | 2006284 | 0 OHM | 2 | CHIP RESISTOR | £0.43 |
| R90-R91 | 2001517 | 47 OHM 1/10W 5% | 2 | CHIP RESISTOR | £0.43 |
| R93 | 2022861 | BL 4.7OHM 1W+-5% | 1 | METAL FILM RESISTOR | £0.43 |
| 450 | 2023320 | | 1 | BOARD ASSY. PANEL | £9.90 |
| 300 | 2023062 | 120V | 1 | BOARD ASSY. POWER SUPPLY | £84.65 |
| 300 | 2023064 | 220V/240V | 1 | BOARD ASSY. POWER SUPPLY | £84.65 |
| 400 | 2002364 | 230V | 1 | POWER CABLE (VD31303SA-10A) | £13.29 |
| 401 | 2006741 | 240V | 1 | PWR CABLE (BS31303SA-SR-10A) | £21.94 |
| 402 | 2010468 | 240V | 1 | AC CABLE | £19.87 |
| 403 | 2002365 | 220V | 1 | POWER CABLE VD00303SA-10A | £21.02 |
| 403 | 2008768 | 220V | 1 | POWER CABLE FOR EHK | £21.02 |
| 330 | 2023384 | | 1 | HARNESS | £2.97 |
| 410 | 2018054 | 120V | 1 | PWR CABLE ASSY USA. | £13.16 |
| 411 | 2018055 | 110V | 1 | PWR CABLE ASSY. TAIWAN | £7.41 |
| 412 | 2018028 | 220V/230V/240V | 1 | HARNESS EUROPE S.E. ASIA | £6.50 |
| 500 | 2024053 | | 1 | PRINTER MECH.(ASP)M4G11-100 | £208.02 |
| 501 | 1030341 | | 1 | FRAME TOP | £2.97 |
| 502 | 1030343 | | 1 | FRAME RIGHT | £2.12 |
| 503 | 1030344 | | 1 | FRAME FRONT | £1.28 |
| 504 | 1030345 | | 1 | FRAME BOTTOM | £3.39 |
| 505 | 1031316 | | 1 | FRAME ASSY. LEFT | £4.75 |
| 506 | 1032633 | | 1 | CARRIAGE ASSY. | £8.92 |
| 507 | 1030380 | | 1 | LEVER ADJUST | £0.43 |
| 508 | 1030381 | | 1 | GROUNDING PLATE HEAD | £0.43 |
| 509 | 1030382 | | 1 | OIL PAD | £0.43 |
| 510 | 1030387 | | 1 | SLIDER CR | £0.43 |
| 511 | 1030389 | | 1 | HOLDER PULLEY DRIVEN | £0.85 |
| 512 | 1032969 | | 1 | SHEET PROTECTION HEAD | £0.43 |
| 513 | 1030969 | | 6 | SHAFT ROLLER DRIVEN | £0.43 |
| 514 | 1034351 | | 12 | ROLLER DRIVEN;B | £1.28 |
| 515 | F057000 | | 1 | PRINT HEAD IJ192-0B0 | £170.21 |
| 516 | 1031313 | | 1 | PULLEY ASSY. DRIVEN | £1.70 |
| 517 | 1030390 | | 1 | TIMING BELT | £4.92 |
| 518 | 1030408 | | 5 | PAPER GUIDE UPPER | £0.43 |
| 519 | 1030414 | | 1 | PAPER GUIDE LEFT | £0.43 |
| 520 | 1030417 | | 1 | PAPER GUIDE REAR | £3.39 |
| 521 | 1032287 | | 1 | PAPER GUIDE FRONT; B | £3.82 |
| 522 | 1032646 | | 1 | PAPER GUIDE RIGHT | £0.43 |
| 523 | 1030968 | | 6 | SHAFT PAPER GUIDE UPPER | £0.43 |
| 524 | 1030415 | | 20 | STAR WHEEL ASSY. 8 | £0.43 |

ESP0519/3

EPSON

STYLUS PHOTO

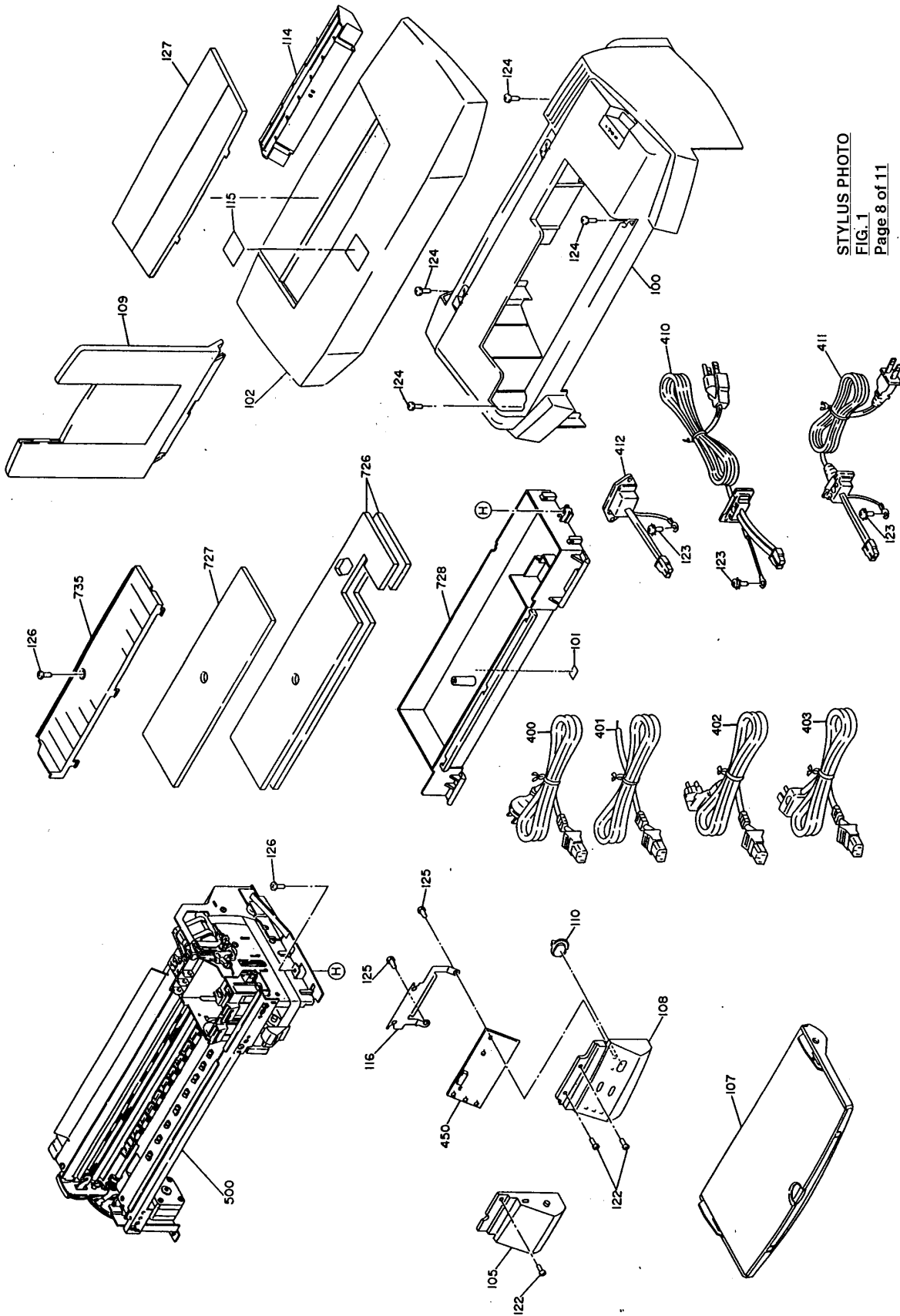
Page 4 of 10

| REF | PART NO. | REMARKS | QTY | DESCRIPTION | RRP |
|-----|------------|---------------|-----|-----------------------------|--------|
| 525 | 1032242 | | 1 | HOLDER STAR WHEEL RIGHT | £0.85 |
| 526 | 1032243 | | 1 | HOLDER STAR WHEEL LEFT | £0.85 |
| 527 | 1032244 | | 13 | ROD SPRING STAR WHEEL | £0.43 |
| 528 | 1030346 | | 1 | FRAME EJ | £2.97 |
| 529 | 1030421 | | 1 | ROLLER ASSY. EJ | £5.62 |
| 530 | 1030406 | | 1 | SHAFT PF ROLLER | £20.43 |
| 532 | 2022329 | | 1 | CIRCUIT ASSY PE | £2.55 |
| 533 | 2022330 | | 1 | HARNESS PE | £1.28 |
| 534 | 1030410 | | 1 | LEVER PE | £0.43 |
| 535 | 1030411 | | 1 | HOLDER PE | £0.43 |
| 536 | 2021854 | 4V 50MA 100MW | 1 | DETECTOR HP | £2.55 |
| 537 | 2022326 | | 1 | HARNESS HP | £1.28 |
| 538 | 2024054 | | 1 | MOTOR PF; B | £25.39 |
| 539 | 1031323 | | 1 | MOTOR ASSY CR | £28.70 |
| 540 | 1030391 | | 1 | SHAFT CR GUIDE | £7.28 |
| 541 | 1031314 | | 1 | PUMP ASSY. | £14.58 |
| 542 | 1031315 | | 1 | CAP ASSY. | £12.94 |
| 543 | 1034969 | | 1 | CLEANER HEAD ASP | £1.70 |
| 544 | 1030347 | | 1 | GUIDE PLATE CABLE | £1.28 |
| 545 | 1030392 | | 1 | BUSH P'LISM ADJUST LEFT | £0.43 |
| 546 | 1030393 | | 1 | BUSHING P'LISM ADJUST RIGHT | £0.43 |
| 547 | 1030394 | | 1 | LEVER PG | £0.43 |
| 548 | 1030395 | | 1 | LEVER PG SUPPORT | £0.43 |
| 549 | 1030404 | | 1 | BUSHING 12 LEFT | £0.43 |
| 550 | 1030422 | | 2 | BUSHING 6 | £0.43 |
| 551 | 1030454 | | 1 | LEVER CHANGE | £0.85 |
| 552 | 1032608 | | 2 | STOPPER STACKER | £0.43 |
| 553 | 1030353 | | 1 | SPUR GEAR 11.5 | £0.43 |
| 554 | 1030399 | | 1 | SPUR GEAR 23.2 | £0.43 |
| 555 | 1030402 | | 1 | SPUR GEAR 67.2 | £2.12 |
| 556 | 1030424 | | 1 | SPUR GEAR 36 | £0.43 |
| 557 | 1030452 | | 1 | SPUR GEAR 26.4 | £0.43 |
| 558 | 1030453 | | 1 | COMBINATION GEAR 16 40.8 | £0.43 |
| 559 | 1031001 | | 1 | COMBINATION GEAR 8 14.4 | £1.28 |
| 560 | 1031055 | | 1 | COMBINATION GEAR 8.8 21.6 | £0.43 |
| 561 | 1030955 | | 1 | COMPRESSION SPRING 19.6 | £0.43 |
| 562 | 1030957 | | 1 | COMPRESSION SPRING 5.85 | £0.43 |
| 563 | 1030965 | | 1 | COMPRESSION SPRING 0.9 | £0.43 |
| 564 | 1030956 | | 6 | TORSION SPRING 117.6 | £0.43 |
| 565 | 1030958 | | 1 | TORSION SPRING 0.22 | £0.43 |
| 566 | 1032240 | | 1 | TORSION SPRING 63.7 | £0.43 |
| 567 | 1030967 | | 2 | PLAIN WASHER 12.2X0.5X15 | £0.43 |
| 568 | 1030971 | | 2 | PLAIN WASHER 4.1X0.5X6.5 | £0.43 |
| 569 | 1030975 | | 2 | SPACER C-RING | £0.43 |
| 570 | B101254590 | 6.2X0.15X11 | 1 | LEAF SPRING | £0.43 |
| 571 | B150300711 | TYPE-E(4) | 1 | RETAINING RING | £0.43 |
| 572 | B300204211 | M3X6 | 19 | C.B.S. SCREW | £0.43 |
| 573 | 1023219 | | 1 | PUSHING NUT 2 | £0.43 |
| 574 | 1024505 | | 3 | HEXAGON NUT NORMAL M3 | £0.43 |
| 575 | 1031164 | | 3 | C-RING | £0.43 |
| 576 | 1032300 | | 2 | C.P.S-TITE(P4) 3X6 F/ZN | £0.43 |
| 577 | 1032301 | | 1 | SPRING PIN-AW 2X16 F/B | £0.43 |
| 578 | 1032723 | | 1 | HOLDER STAR WHEEL FRONT | £0.43 |
| 579 | 1033652 | | 1 | STAR WHEEL 8;B | £0.43 |
| 580 | 1034669 | | 1 | POROUS PAD SLIDER CAP | £0.43 |
| 700 | 1031309 | | 1 | PAD ASSY. LEFT | £3.39 |
| 701 | 1031308 | | 1 | PAD ASSY. RIGHT | £3.39 |
| 702 | 1030961 | | 1 | TORSION SPRING 1.22 LEFT | £0.43 |
| 703 | 1030442 | | 1 | HOLDER EDGE GUIDE LEFT | £0.85 |
| 704 | 1030449 | | 1 | LEVER PAD RELEASE LEFT | £0.43 |
| 705 | 1030434 | | 1 | LEVER PAPER RETURN LEFT | £0.43 |
| 706 | 1032245 | | 1 | TORSION SPRING 1.22 RIGHT | £0.43 |
| 707 | 1030450 | | 1 | LEVER PAD RELEASE RIGHT | £0.43 |
| 708 | 1030455 | | 1 | HOLDER EDGE GUIDE RIGHT | £0.85 |
| 709 | 1030420 | | 2 | ROD SPRING HOLDER PAD | £0.43 |
| 710 | 1030435 | | 1 | LEVER PAPER RETURN RIGHT | £0.43 |
| 711 | 1030436 | | 2 | ROLLER LD SUPPORT | £0.43 |
| 712 | 1030437 | | 2 | HOLDER ROLLER LD SUPPORT | £0.43 |

ESP0519/4

EPSON STYLUS PHOTO

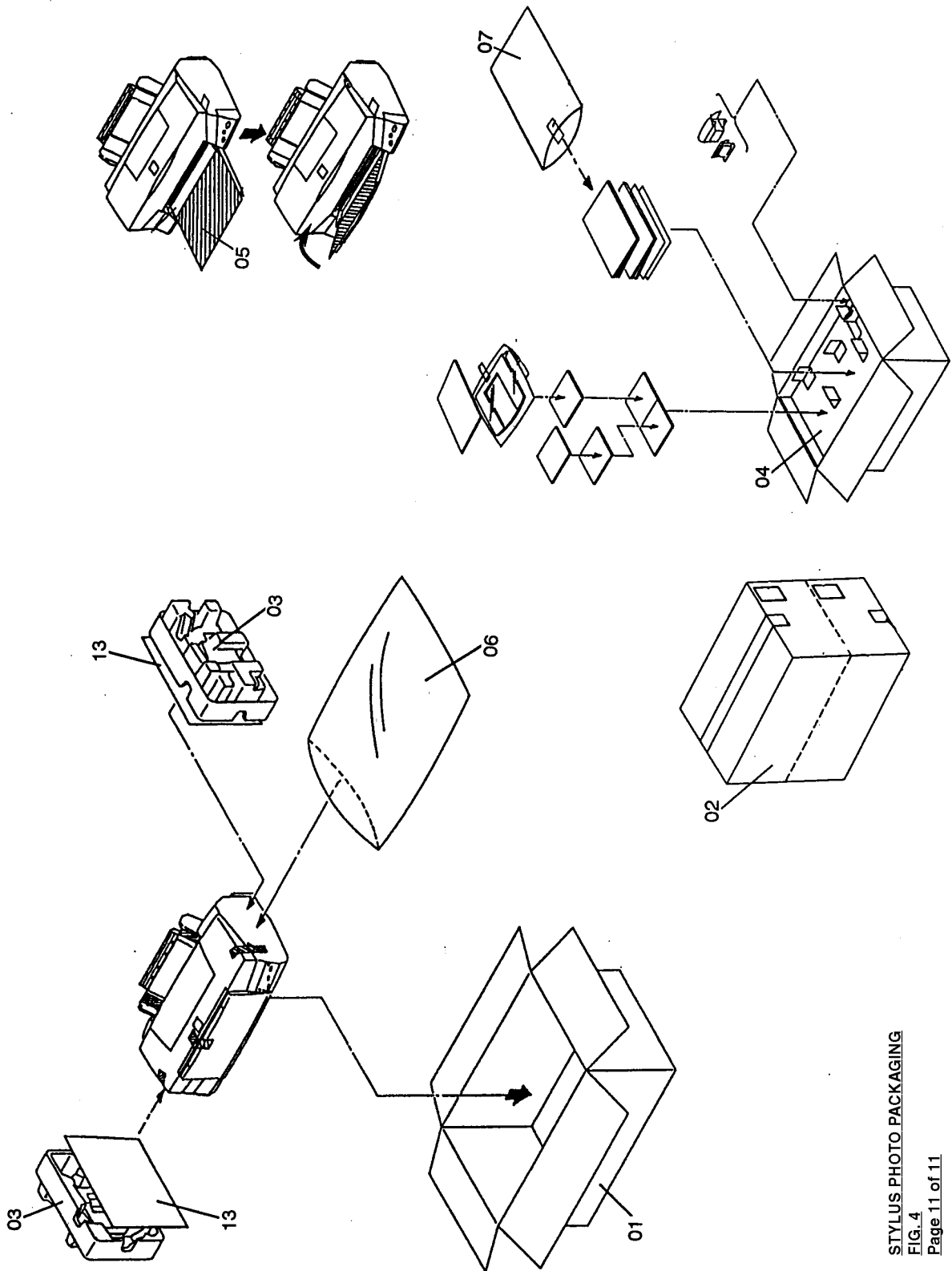
Page 7 of 10



STYLUS PHOTO
FIG. 1
Page 8 of 11

EPSON STYLUS PHOTO

Page 10 of 10



STYLUS PHOTO PACKAGING
FIG. 4
Page 11 of 11

EPSON

SPARES AND SERVICE

You may copy short extracts from this document for identification purposes only. Complete sections can be purchased from Epson (UK) Ltd., spares wholesalers.

Ensure that the full part number is quoted in all communications with Epson and all Epson appointed wholesalers.

If a list is found to be inaccurate please contact in writing:

The Spares Department
Epson (UK) Ltd.
Campus 100
Maylands Avenue
Hemel Hempstead
Herts.
HP2 7EZ

Fax (01442) 227324

© EPSON (UK) LTD. 1990

SPARES GUIDES SHOWING PRICES (R.R.P)

Prices shown are those in force at time of printing and are therefore to be taken only as a guide. Prices will be amended from time to time in accordance with Epson pricing policy.

DEC.'96

E&OE