

EPSON STYLUS SCAN 2500

SHADED AREAS INDICATE IMPORTANT ITEMS

Page 1

REF	PART NO	DESCRIPTION	SPECIFICATION	QTY
100	1048795	PAPER SUPPORT ASSY.		1
101	1051792	HOUSING ASSY, UPPER(ASP)		1
102	1048588	HOUSING,R		1
103	1048589	HOUSING,L		1
104	1048593	CAP,CABLE,ADF		1
105	1048591	COVER,DOCUMENT		1
106	1041423	MAT,COVER,DOCUMENT		1
107	1043982	SHEET,COVER,25		13
108	1048590	HOUSING,REAR		1
109	1048592	COVER,MAINTENANCE		1
110	1048597	STACKER,REAR		1
111	1048942	COVER,CABLE;C		3
112	1048598	STACKER,SUPPORT		1
113	1048599	STACKER,FRONT		1
114	1048600	KEYTOP,ADJUST,PG		1
115	1048601	KEYTOP,P/S		1
116	1049236	LOGO PLATE		1
117	1025491	FOOT		2
118	1030669	GROUNDING PLATE		2
119	1048603	FOOT,15		5
120	B300204411	C.B.S. SCREW	M3X10	2
121	1005019	C.B.P-TITE SCREW,3X8,F/ZN	M3X8 F/ZN	4
122	1012350	C.B.P-TITE,3X10,F/ZN		2
123	1041582	C.B.(O) SCREW,4X4,F/ZG		1
125	B300206111	C.B.S.SCREW	M4X6	3
126	1032300	C.P.S-TITE(P4),3X6,F/ZN		1
127	B010103311	C.P.SCREW	M3X6	3
128	B300204211	C.B.S. SCREW	M3X6	44
129	B300204311	C.B.S. SCREW	M3X8	4
181	1050056	LABEL,CAUTION 1		1
182	1050057	LABEL,CAUTION 2		1
183	1037833	LABEL,LEVER CARTRIDGE,BLACK		1
184	1037835	LABEL,LEVER CARTRIDGE,COLOR		1
185	1050642	LABEL,CARRIAGE LOCK		1
187	1050055	LABEL,ALIGNMENT		1
200	2031934	BOARD ASSY.,MAIN	5567A,STANDARD	1
300	2031939	BOARD ASSEMBLY.POWER SUPPLY	5569A,STANDARD	1
330	2032013	WIRE-HARNESS		1
331	2032014	WIRE-HARNESS		1
332	2032015	WIRE-HARNESS		1
400	2006741	POWER CABLE,BS31303SA-SR-10A	240V	1
401	2032017	WIRE-HARNESS		1
450	2031942	CONTROL PANEL	STANDARD	1
500	2033009	PRINTER MECHANISM(ASP)M4M12-100		1
501	1040664	FRAME ASSY.,LEFT		1
502	2031684	MOTOR ASSY.,PF		1
503	1039368	SPUR GEAR,23.2		1
504	1030453	COMBINATION GEAR,16,40.8		1
505	1030343	FRAME,RIGHT		1
506	1040571	FRAME,TOP		1
507	2031690	MOTOR ASSY.,CR		1
508	1040515	PUMP ASSY.		1
509	1044904	CAP ASSY.:B		1
510	1040573	FRAME,BOTTOM		1
511	1032969	SHEET,PROTECTION,HEAD		1
512	1043196	FRAME,FRONT;B		1
513	1030392	BUSHING,PARALLELISM ADJUST,LEFT		1
514	1030393	BUSHING,PARALLELISM ADJUST,RIGHT		1
515	1030417	PAPER GUIDE,REAR		1
516	1040584	ROLLER,PF		1
517	1030957	COMPRESSION SPRING,5.85		1
518	1037093	BUSHING,12,LEFT		1
519	1030454	LEVER,CHANGE		1
520	1030452	SPUR GEAR,26.4		1
521	1030975	SPACER,C-RING		2

EPSON

STYLUS SCAN 2500

Page 2

REF	PART NO	DESCRIPTION	SPECIFICATION	QTY
522	1032301	SCALLOP SPRING PIN-AW,2X16,F/B		1
523	1030965	COMPRESSION SPRING,0.9		1
524	1040582	SPUR GEAR,73.6		1
525	1037094	SPACER,FASTEN,ROLLER,PF		1
526	1037095	SPACER,FASTEN,ROLLER,PF;B		1
527	1031164	C-RING		3
528	1030967	PLAIN WASHER,12.2X0.5X15		2
529	1040586	ROLLER,ASSY.,PAPER EJECT		1
530	1030422	BUSHING,6		2
531	B150300711	RETAINING RING	TYPE-E(4)	1
532	1042516	SPUR GEAR,36		1
533	1040576	SPUR GEAR,11		1
534	1030971	PLAIN WASHER,4.1X0.5X6.5		2
535	1050635	PAPER GUIDE,FRONT;B		1
536	1042582	GROUNDING WIRE,EJECT		1
537	1042649	GUIDE,PAPER EJECT		1
538	1040574	FRAME, PAPER EJECT		1
539	1042338	HOLDER,STAR WHEEL,RIGHT		1
540	1042339	HOLDER,STAR WHEEL,LEFT		1
541	1032723	HOLDER,STAR WHEEL,FRONT		1
542	1045223	STAR WHEEL ASSY.,8;E		20
543	1033652	STAR WHEEL,8;B		1
544	1032244	ROD SPRING,STAR WHEEL		14
545	1030408	PAPER GUIDE,UPPER		5
546	1030414	PAPER GUIDE,LEFT		1
547	1032646	PAPER GUIDE,RIGHT		1
548	1030968	SHAFT,PAPER GUIDE,UPPER		6
549	1030969	SHAFT,ROLLER,DRIVEN		6
550	1038961	ROLLER,DRIVEN;D		12
551	1030956	TORSION SPRING,117.6		6
552	2022329	CIRCUIT ASSY,PE		1
553	1030411	HOLDER,PE		1
554	1030410	LEVER,PE		1
555	1030958	TORSION SPRING,0.22		1
556	1042648	SHEET,GUIDE PLATE,CABLE		1
557	1040575	GUIDE PLATE,CABLE		1
558	1032719	SHEET,CABLE		1
559	2021854	DETECTOR,HP	4V,50MA,100MW,	1
560	1040639	CARRIAGE ASSY.		1
561	1030380	LEVER,ADJUST		1
562	1040579	GROUNDING PLATE,HEAD		1
563	1030382	OIL PAD		1
564	1030387	SLIDER,CR		1
565	1030390	TIMING BELT		1
566	1030391	SHAFT,CR,GUIDE		1
567	1031313	PULLEY ASSY.,DRIVEN		1
568	1041207	HOLDER,PULLEY,DRIVEN;B		1
569	1030955	COMPRESSION SPRING,19.6		1
570	1037577	LEVER,PG		1
571	1030395	LEVER,PG,SUPPORT		1
572	1032240	TORSION SPRING,63.7		1
573	1040587	COMBINATION GEAR,12.4,28		1
574	1040581	COMBINATION GEAR,16,21.6		1
576	1034669	POROUS PAD,SLIDER,CAP		1
577	1040644	BUSHING,FASTEN,COMBINATION GEAR		1
578	1023219	BUSHING NUT,2		1
579	2031687	HARNES,HP		1
580	2031686	HARNES,PE		1
587	B300204211	C.B.S. SCREW	M3X6	20
588	1032300	C.P.S-TITE(P4),3X6,F/ZN		2
589	B101254590	LEAF SPRING	6.2X0.15X11	1
590	1042515	PLAIN WASHER,6.1X0.5X9.0		1
591	1024505	HEXAGON NUT,NORMAL,M3		3
592	B100151112	PLAIN WASHER	3X0.3X7	1
595	1040640	HOLDER, DETECTOR,I/C		1
596	1040641	LEVER,DETECTOR,I/C,BLACK		1

EPSON STYLUS SCAN 2500

Page 3

REF	PART NO	DESCRIPTION	SPECIFICATION	QTY
597	1040642	LEVER,DETECTOR,I/C,COLOUR		1
598	1042341	GROUNDING PLATE,ROLLER,PF		1
600	1042687	TORSION SPRING,1.08		2
601	2027719	DETECTOR,I/C		1
602	2027720	HARNESS,I/C		1
700	F065010	PRINT HEAD IJ288-0AA		1
701	1032255	FASTENER,HEAD		1
702	1030954	TORSION SPRING,49		1
703	1024130	C.B.P-TITE SCREW,3X6,F/ZN		4
704	2031952	CABLE,HEAD		1
705	1040580	HOLDER,CABLE		1
706	1033220	SPACER,CABLE HEAD		1
707	1038244	FRAME,ASF;B		1
708	1040589	HOPPER		1
709	1040590	EDGE GUIDE		1
710	1040606	CORK		1
711	1030429	SLIDER,EDGE GUIDE		1
712	1030960	COMPRESSION SPRING,3.23		1
713	1033016	PAD,BRAKE,EDGE GUIDE		1
714	1040645	REINFORCEMENT PLATE,HOPPER		1
715	1024505	HEXAGON NUT,NORMAL,M3		3
716	1040661	PAD ASSY.,RIGHT		1
717	1030450	LEVER,PAD,RELEASE,RIGHT		1
718	1030420	ROD SPRING,HOLDER,PAD		2
719	1040608	HOLDER,EDGE GUIDE,RIGHT		1
720	1036867	COMPRESSION SPRING,1.17		2
721	1036874	EXTENSION SPRING,0.62		2
722	1040595	LEVER,PAPER RETURN,RIGHT		1
723	1040646	EXTENSION SPRING,0.294		2
724	1040596	ROLLER,LD,SUPPORT		2
725	1040648	HOLDER,ROLLER,LD,SUPPORT,RIGHT		1
726	1040660	PAD ASSY.,LEFT		1
727	1030449	LEVER,PAD,RELEASE,LEFT		1
728	1040602	HOLDER,EDGE GUIDE,LEFT		1
729	1040594	LEVER,PAPER RETURN,LEFT		1
730	1040647	HOLDER,ROLLER,LD,SUPPORT,LEFT		1
731	1040658	ROLLER ASSY.,LD,LEFT		1
732	1040659	ROLLER ASSY.,LD,RIGHT		1
733	1040597	COVER,ROLLER,LD,LEFT		1
734	1040598	COVER,ROLLER,LD,RIGHT		1
735	1036868	COMPRESSION SPRING,1.961		2
736	1038211	LEVER,FASTEN,EDGE GUIDE;B		2
737	1030959	EXTENSION SPRING,0.088		2
738	1040601	SHAFT,ROLLER,LD		1
739	1042067	LEVER,HOPPER,RELEASE		2
740	1040607	WHEEL,DETECT		1
741	1030951	LEVER,BRAKE		1
742	1030970	PAD,BRAKE		1
743	1030966	TORSION SPRING,41.2		1
744	1030456	BUSHING,FASTEN,SHAFT		1
745	1040599	SHEET,PAPER FEED		2
746	1040600	HOLDER,SHEET,PAPER FEED		2
747	1005416	SHAFT,MOUNT,CR		1
748	B150300711	RETAINING RING	TYPE-E(4)	2
749	1025130	C.B.P.SCREW,2.5X6,F/ZN	M2.5X6 F/ZN	2
750	1040588	SPURGEAR,34		1
751	1030419	PAPER GUIDE,LOWER		1
752	1030372	POROUS PAD,INJECT,LARGE		2
753	1030374	TRAY,PORUSPAD		1
754	1040873	SPACER,TRAY		1
755	1031178	BUSHING,FASTEN,SHAFT,LEFT		1
756	1037724	PAPER SUPPORT,SUPPORT,UPPER		1
757	1042947	HOLDER,PAPER SUPPORT,UPPER		1
758	1036849	EXTENSION SPRING,0.29		1
759	1048805	COVER,CARTRIDGE,BLACK		1
760	1048809	COVER,CARTRIDGE,COLOUR		1

EPSON

STYLUS SCAN 2500

Page 4

REF	PART NO	DESCRIPTION	SPECIFICATION	QTY
761	1040578	SEPARATOR,CARTRIDGE,BLACK		1
762	1030379	SEPARATOR,CARTRIDGE,COLOUR		1
763	2021854	DETECTOR,HP	4V,50MA,100MW,	3
764	1043828	CORK;B		1
765	1034969	CLEANER,HEAD,ASP		1
766	1030373	POROUS PAD,INK EJECT,SMALL		2
767	1024892	C.P.B.(O) SCREW,1.7X5,F/ZN		1
768	1042029	BUSHING,HOLDER,DETECTOR,I/C		1
769	1031166	C.B.P-TITE SCREW,4X10,F/ZN		1
770	B150300811	RETAINING RING	TYPE-E(5)	1
771	1045092	HOLDER ASSY.,STAR WHEEL,RIGHT,ASP		1
772	1045093	HOLDER ASSY.,STAR WHEEL,LEFT,ASP		1
773	B300304211	C.C.S. SCREW	M3X6	1
774	1040616	COVER,CABLE;B		1
775	1048570	BRACKET,PRINTER		2
776	1048572	SHIELD PLATE,M/B		1
777	1048573	SHIELD PLATE,M/B,SUPPORT		1
778	1048574	SHIELD PLATE,P/S		1
779	1048575	COVER,INLET		1
780	1043979	ASF UNIT;C		1
781	1048579	SHAFT,CR,SC		1
782	1048581	LOCK,CARRIAGE		1
783	1048582	LEVER,ADJUST,PG		1
784	1048584	SHEET,CABLE,SC		1
785	1048585	SHEET,CABLE,SUPPORT,SC		1
786	1048586	SHEET,HOUSING		1
787	1048595	COVER,CARRIAGE,I/C		1
788	1048596	SHUTTER		1
789	1048602	TORSION SPRING,5.2		1
790	1048610	MINI CLAMP,YMC-15-0 V0		2
791	1048704	BRACKET ASSY.,PULLEY,DRIVING		1
792	1048705	BRACKET ASSY.,PULLEY,DRIVEN		1
793	1048940	BRACKET,OP		1
794	1048941	COVER,GEAR		1
795	1048943	FRAME,FRONT,SUPPORT		1
796	1048948	GROUNDING PLATE,P/S		1
797	1048993	FRAME,MAIN ASSY.		1
798	1049075	BUSHING,EDGE		4
799	1050637	FOOT,P/S		1
800	1050770	SPACER,COVER CARTRIDGE		3
801	2031946	HARNESS,CM		1
802	2031948	HARNESS,HP,SC		1
803	2031953	MOTOR,CR,SC	8.64W,DC	1
804	1050639	SHEET,P/S;B		1
805	1050641	PAD,FFC		1
806	1050636	LOCK,SUPPORT		1
807	1050638	BRACKET,CORE,SC		1
808	1041402	DOUBLE SIDE TAPE,28X10		1
809	1050581	C.B.S-TITE,4X5,F/ZN		9
810	1041411	CLAMP,TIMING BELT		1
811	1048571	FRAME,FRONT		1
812	1045538	SHEET,SLIDE		1
813	1048566	FRAME,BOTTOM		1
814	1048568	FRAME,SIDE,L		1
815	1048569	FRAME,SIDE,R		1
816	2028817	HARNESS,ASF		1
817	1041396	PULLEY,DRIVE		1
818	1041397	PULLEY,IDLE		1
819	1041398	PULLEY,DRIVEN		1
820	1041399	FLANGE,PULLEY		2
821	1041400	TIMING BELT		1
822	1041401	EXTENSION SPRING,18.4		1
823	2028013	FERRITE CORE		1
830	2030821	CARRIAGE UNIT,SC		1
831	1041402	DOUBLE SIDED TAPE,28X10		1
832	1041412	CLAMP,FERRITE CORE		1

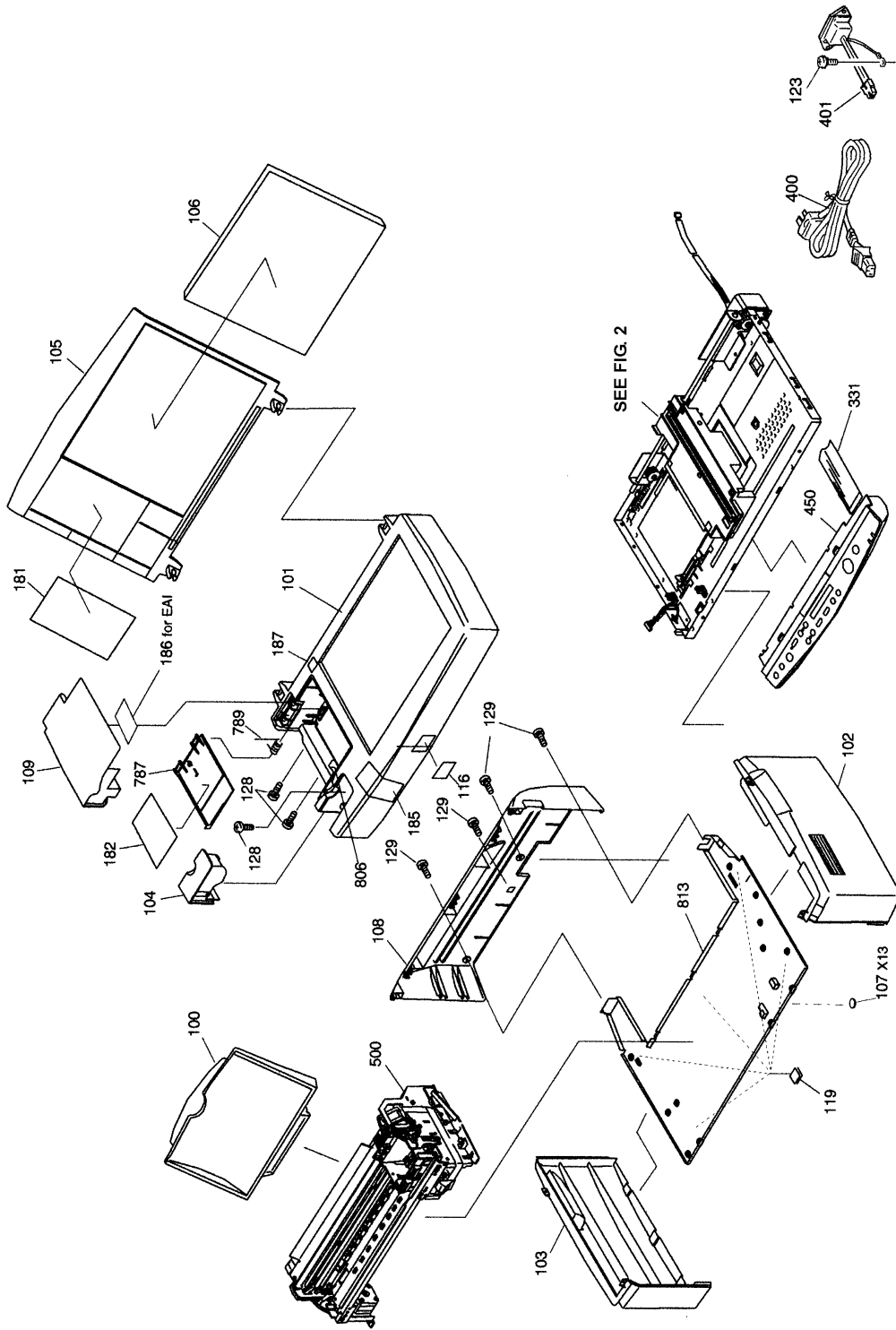
EPSON STYLUS SCAN 2500

Page 5

REF	PART NO	DESCRIPTION	SPECIFICATION	QTY
833	1041581	C.C.P-TITE,3X8,F/ZB		3
834	1048605	FOOT,CARRIAGE		1
835	F353202020	CARRIAGE GUIDE SHAFT HOLDER		2
836	2027703	HARNESS		1
837	2027770	LAMP ASSY.		1
838	2027771	BOARD ASSY.,INVERTER		1
839	2028013	FERRITE CORE		1
840	1039286	COVER,CARRIAGE		1
841	2032016	WIRE-HARNESS		1
842	1048606	SHEET,CCD		1
1	5009345	INDIVIDUAL CARTON		1
3	5009362	PAD SET,SPC		1
4	5009354	PLASTIC BAG 720X800X0.05T		1
5	5009361	PAD,ACCESSORY		1
6	5009384	PAD,COVER,DOCUMENT		1
7	5009554	PLASTIC BAG,315X305X0.05T		1
N/A	1041472	INK CARTRIDGE,BLACK,AS		1
N/A	1041473	INK CARTRIDGE,COLOUR,AS		1
N/A	1041888	SPECIAL COATED PAPER,T,		1
N/A	3002729	APPLICATION CD-ROM		1
N/A	3002733	APPLICATION CD-ROM		1
N/A	3002773	SOFTWARE CD-ROM		1
N/A	3002776	CD-ROM GUIDANCE		1
N/A	4004493	ENVELOPE,SET,EUL;B		1
N/A	4010434	SUPPLEMENT		1
N/A	4010664	USER'S GUIDE		1
N/A	4010665	SETTING UP MANUAL		1
N/A	4010666	UNPACKING SHEET		1
N/A	4011027	SUPPLEMENT		1
N/A	4011263	SUPPLEMENT		1
END				
		VERSION DIFFERENCES:		
	2002364	POWER CABLE	NLSP VERSION	
			120V VERSION NOT AVAILABLE	

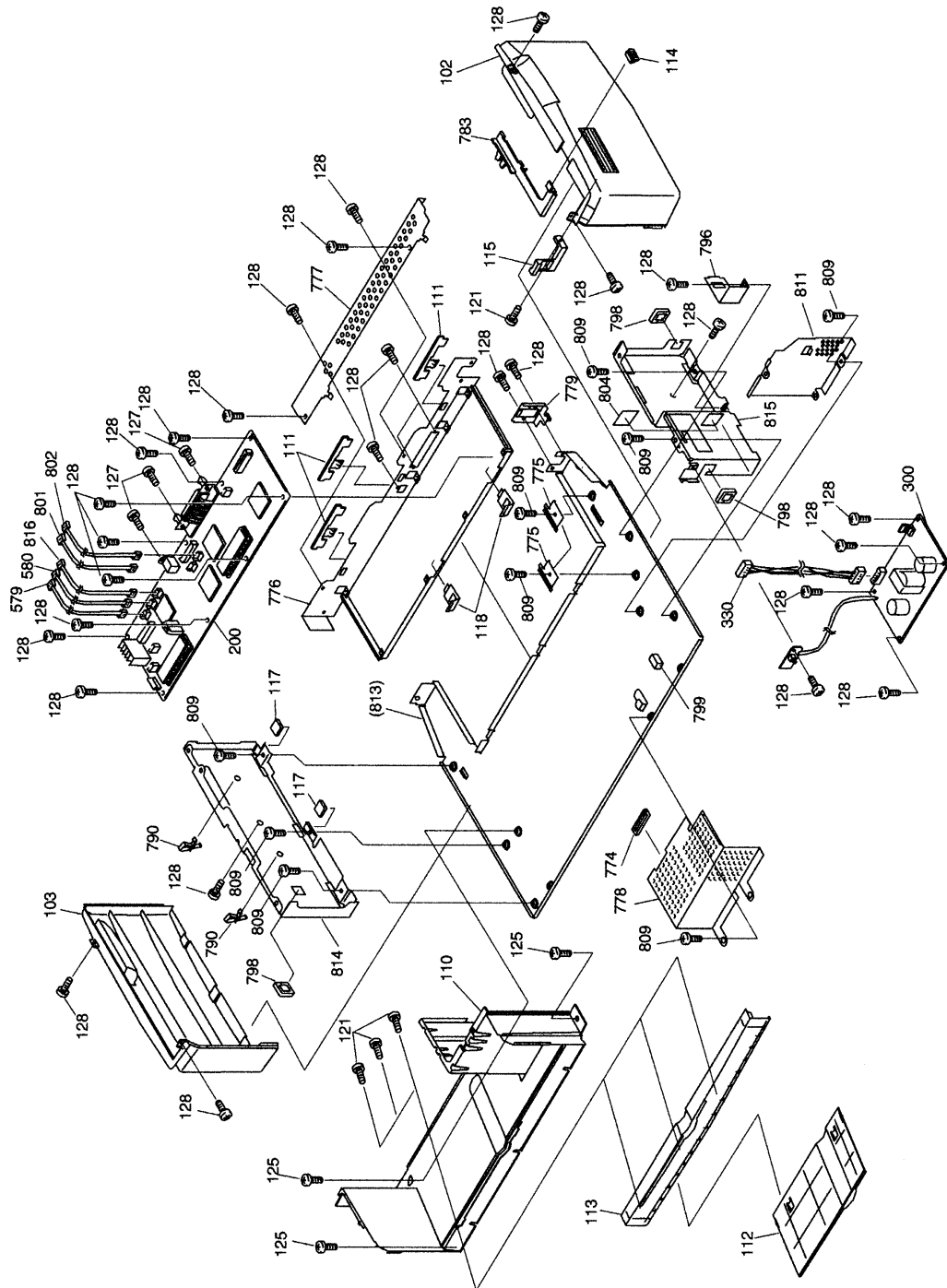
EPSON STYLUS SCAN 2500

Page 6



EPSON STYLUS SCAN 2500

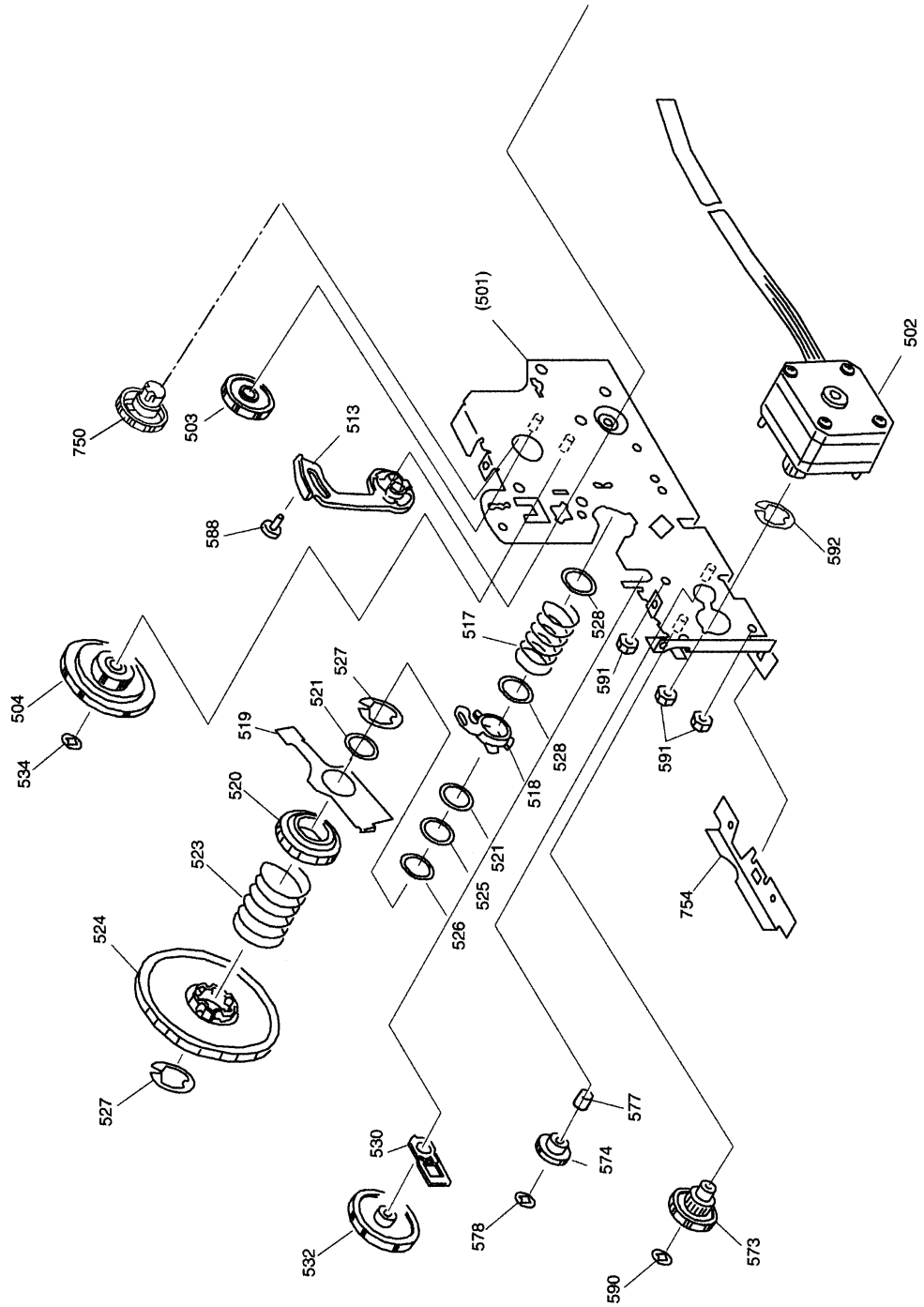
Page 7



STYLUS SCAN 2500 No.2

EPSON STYLUS SCAN 2500

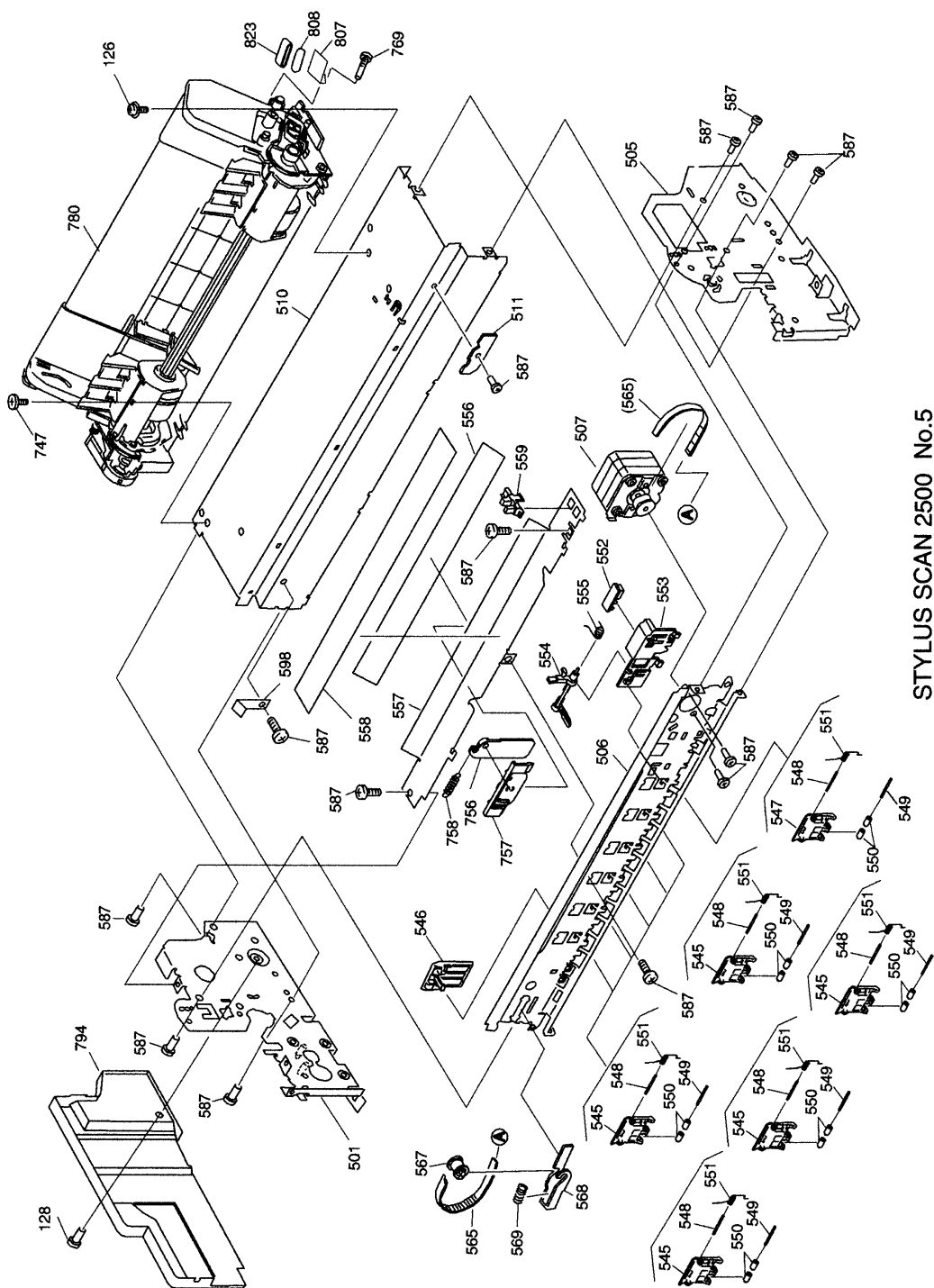
Page 9



STYLUS SCAN 2500 No.4

EPSON STYLUS SCAN 2500

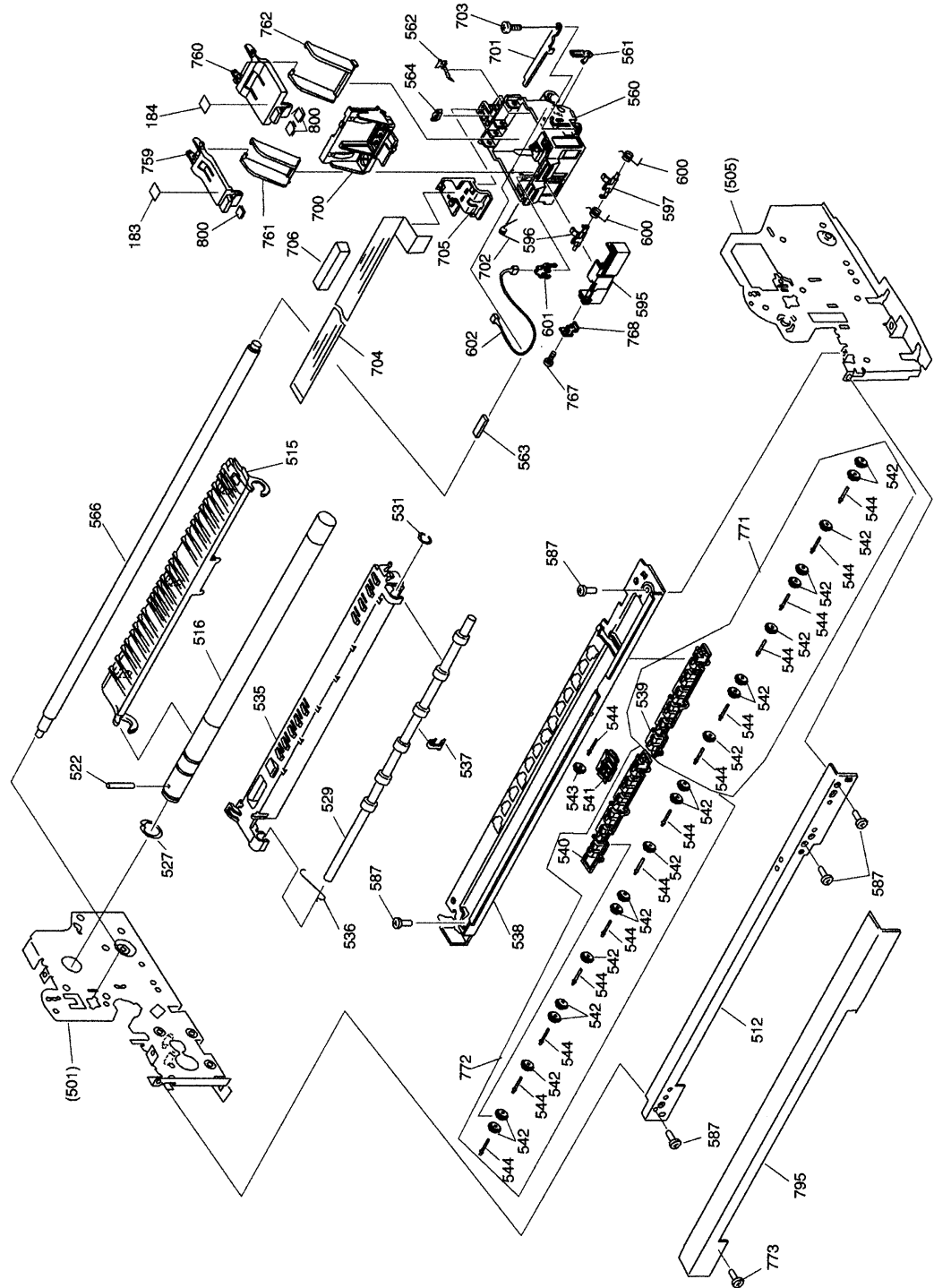
Page 10



STYLUS SCAN 2500 No.5

EPSON STYLUS SCAN 2500

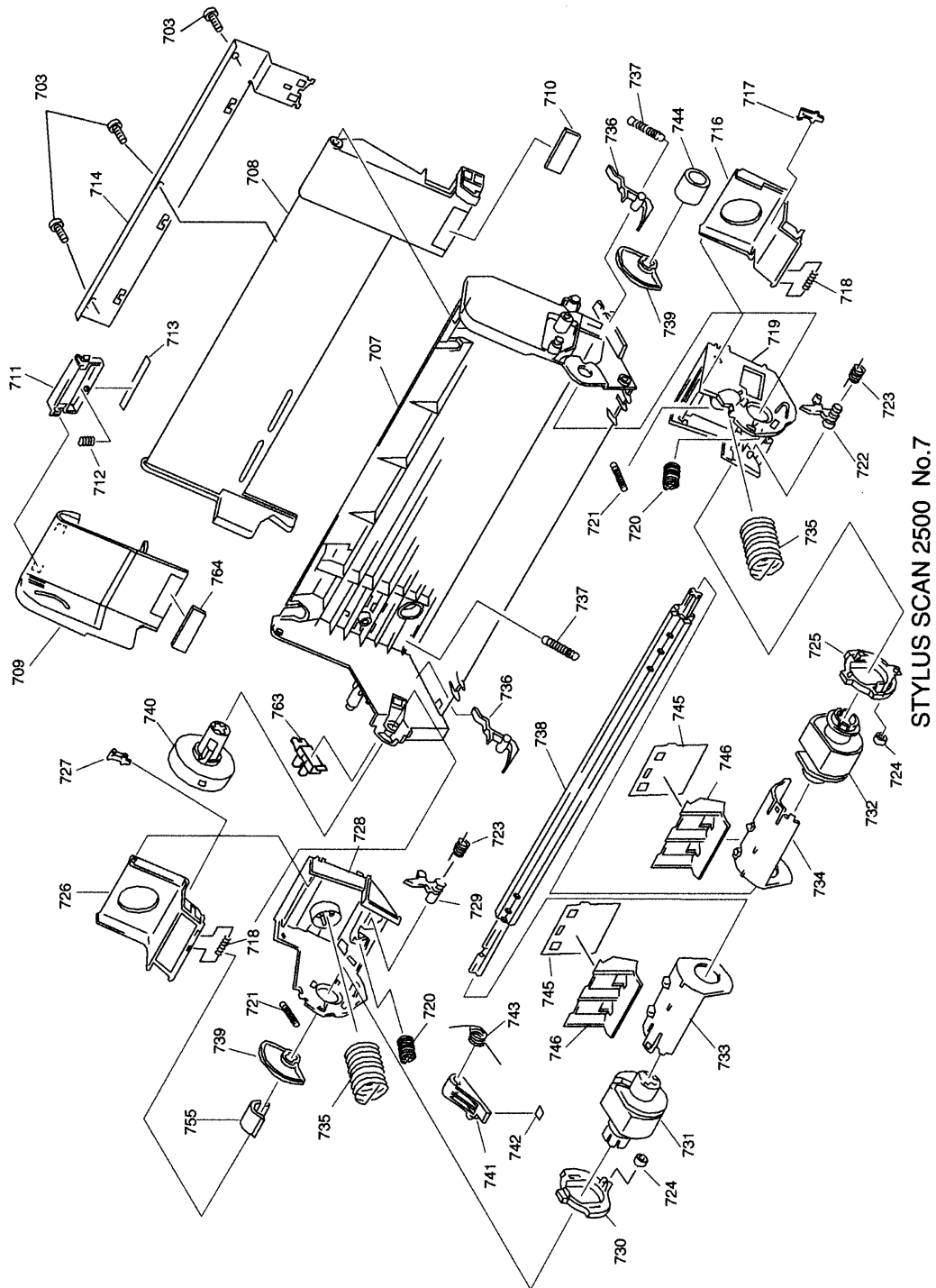
Page 11



STYLUS SCAN 2500 No.6

EPSON STYLUS SCAN 2500

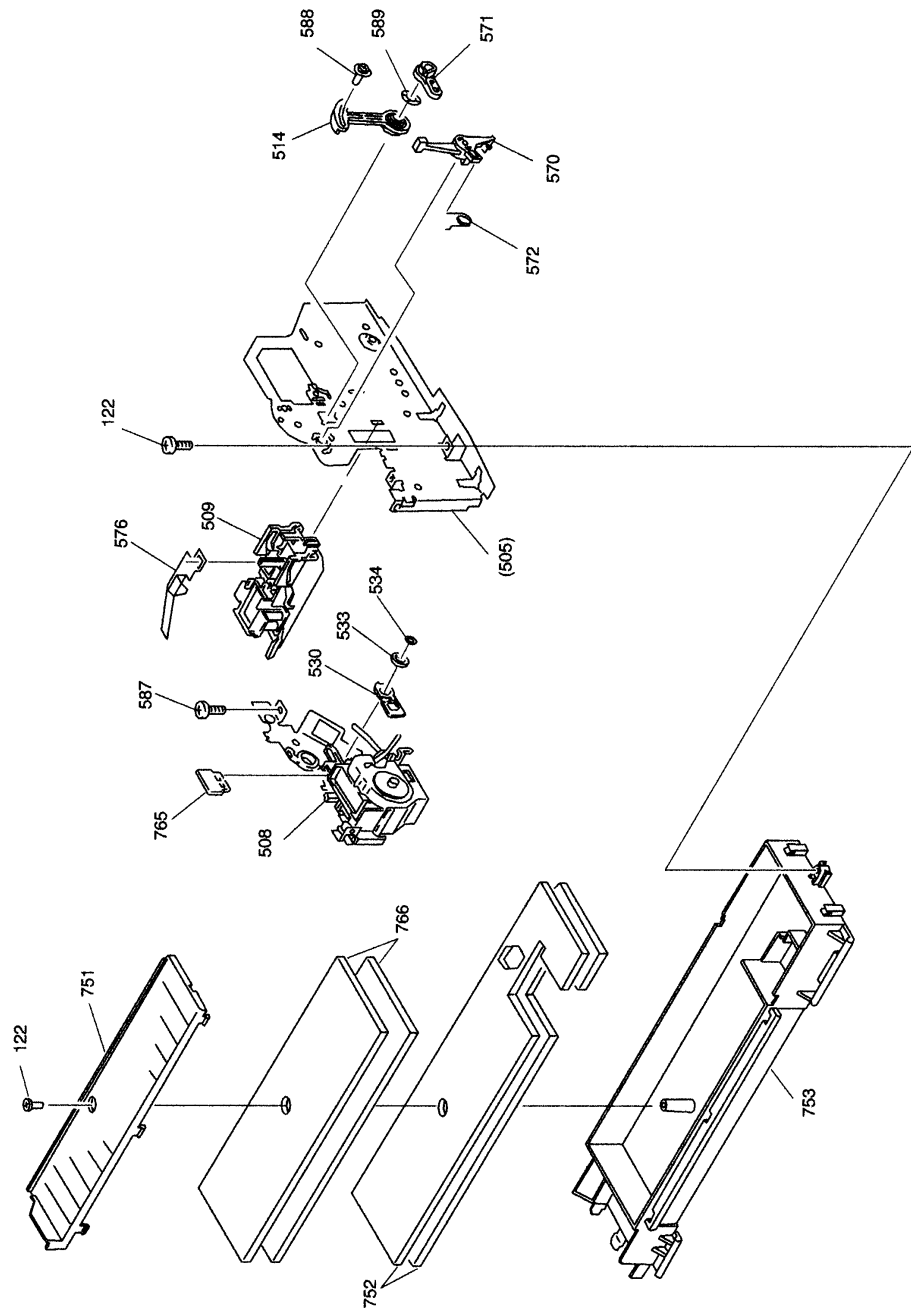
Page 12



STYLUS SCAN 2500 No.7

EPSON STYLUS SCAN 2500

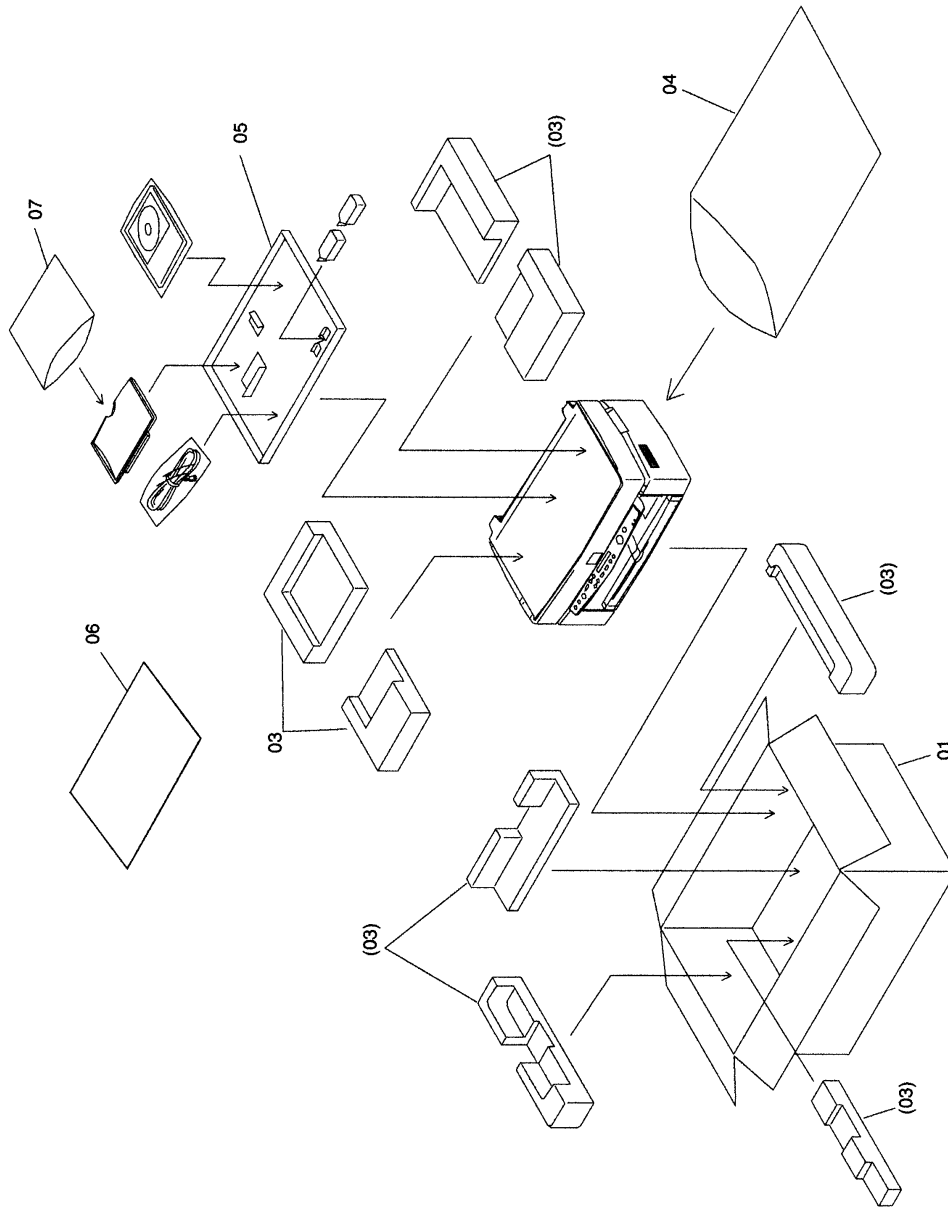
Page 13



STYLUS SCAN 2500 No.8

EPSON STYLUS SCAN 2500

Page 14



STYLUS SCAN 2500 FIG. 9