

PROVISIONAL SPARES GUIDE

REF	PART NO	DESCRIPTION	SPEC	QTY
101	1038582	SHEET,WATER PROOF,AA		1
102	1038583	SHEET,WATER PROOF,AB		1
103	1054059	CASE,MAIN,AA		1
104	1054060	COVER,AUTO CUTTER,AA		1
105	1054061	COVER,CIRCUIT BOARD,AA		1
106	1054062	CASE,SLIP,AA		1
107	1054063	COVER,INK RIBBON,AA		1
108	1054064	COVER,MECHANISM		1
109	1054065	SWITCH PANEL,AA		1
110	1054066	FRAME,MAIN		1
111	1054068	FRAME,CIRCUIT BOARD		1
112	1054069	COVER,CABLE		1
113	1054070	FRAME,SLIDE SUB ASS'Y		1
114	1054071	FRAME,SHAFT,FIXING SUB ASS'Y		1
115	1054072	FRAME,FIXING,L SUB ASS'Y		1
116	1054073	FRAME,FIXING,R SUB ASS'Y		1
117	1054074	LEAF SPRING		1
118	1054076	TABLE,PAPER FEED,AA		1
120	1054799	DAMPER		1
121	B018101611	C.T.P.SCREW	M3X6 F/ZN	1
122	B018101711	C.T.P.SCREW	M3X8	11
123	B043400111	C.C.S. SCREW	M2.5X6	2
124	B300304211	C.C.S. SCREW	M3X6	18
125	B302404211	C.P.S.(O) SCREW	M3X6	4
127	X522000010	WIRE BAND		1
201	2035093	MAIN CIRCUIT BOARD UNIT,AA		1
CN1	X602290600	CONNECTOR	6 PIN	1
CN10	2035077	CONNECTOR	12,2.5MM,	1
CN11	2035338	CONNECTOR	8,1.25MM,	1
CN2	2035074	CONNECTOR	26,2.54MM,UL-L	1
CN3	2000554	CONNECTOR	4 PIN 2.5MM	1
CN4	X600720340	CONNECTOR	3PIN	1
CN5	2000297	CONNECTOR	2PIN	1
CN6	X600720440	CONNECTOR	4P	1
CN7	2035075	CONNECTOR	16,1.25MM,	1
CN8	2008497	CONNECTOR	11,2.5MM	1
CN9	2022094	CONNECTOR	6,2MM	1
DSW1	2014388	DIP SWITCH	8,50V,100MA	1
DSW2	2014388	DIP SWITCH	8,50V,100MA	1
F1	2017325	FUSE,154002T	125V,2A	1
F2	2018738	FUSE	125V,3A	1
Q1	2006328	NPN TRANSISTOR	50V 100MA 200MW TP	1
Q10	2006328	NPN TRANSISTOR	50V 100MA 200MW TP	1
Q11	2012296	NPN TRANSISTOR	50V,100MA,200MW,56	1
Q12	X312211409	TRANSISTOR	50V 100MA 200MW	1
Q13	2006328	NPN TRANSISTOR	50V 100MA 200MW TP	1
Q14	2015765	P-CH FET	-100V,-16A,60W	1
Q15	X312211409	TRANSISTOR	50V 100MA 200MW	1
Q16	2006328	NPN TRANSISTOR	50V 100MA 200MW TP	1
Q17	2006328	NPN TRANSISTOR	50V 100MA 200MW TP	1
Q18	2006328	NPN TRANSISTOR	50V 100MA 200MW TP	1
Q19	2022356	VOLTAGE REGULATOR IC		1
Q2	X312211409	TRANSISTOR	50V 100MA 200MW	1
Q20	X312211409	TRANSISTOR	50V 100MA 200MW	1
Q21	X312211409	TRANSISTOR	50V 100MA 200MW	1
Q22	X303158400	TRANSISTOR	60V 3A 10W	1
Q23	2006328	NPN TRANSISTOR	50V 100MA 200MW TP	1
Q24	2010726	TRANSISTOR	-60V,5A,10W,100,400,	1
Q25	X312211409	TRANSISTOR	50V 100MA 200MW	1
Q26	2015765	P-CH FET	-100V,-16A,60W	1
Q27	2006328	NPN TRANSISTOR	50V 100MA 200MW TP	1
Q28	X302369200	TRANSISTOR	NPN 60V 7A 25W	1
Q3	2006328	NPN TRANSISTOR	50V 100MA 200MW TP	1
Q30	X312211409	TRANSISTOR	50V 100MA 200MW	1
Q31	X312211409	TRANSISTOR	50V 100MA 200MW	1
Q32	X312211409	TRANSISTOR	50V 100MA 200MW	1
Q5	X312211409	TRANSISTOR	50V 100MA 200MW	1

EPSON TM-H3000R

(FOR IR-310)

Page 2

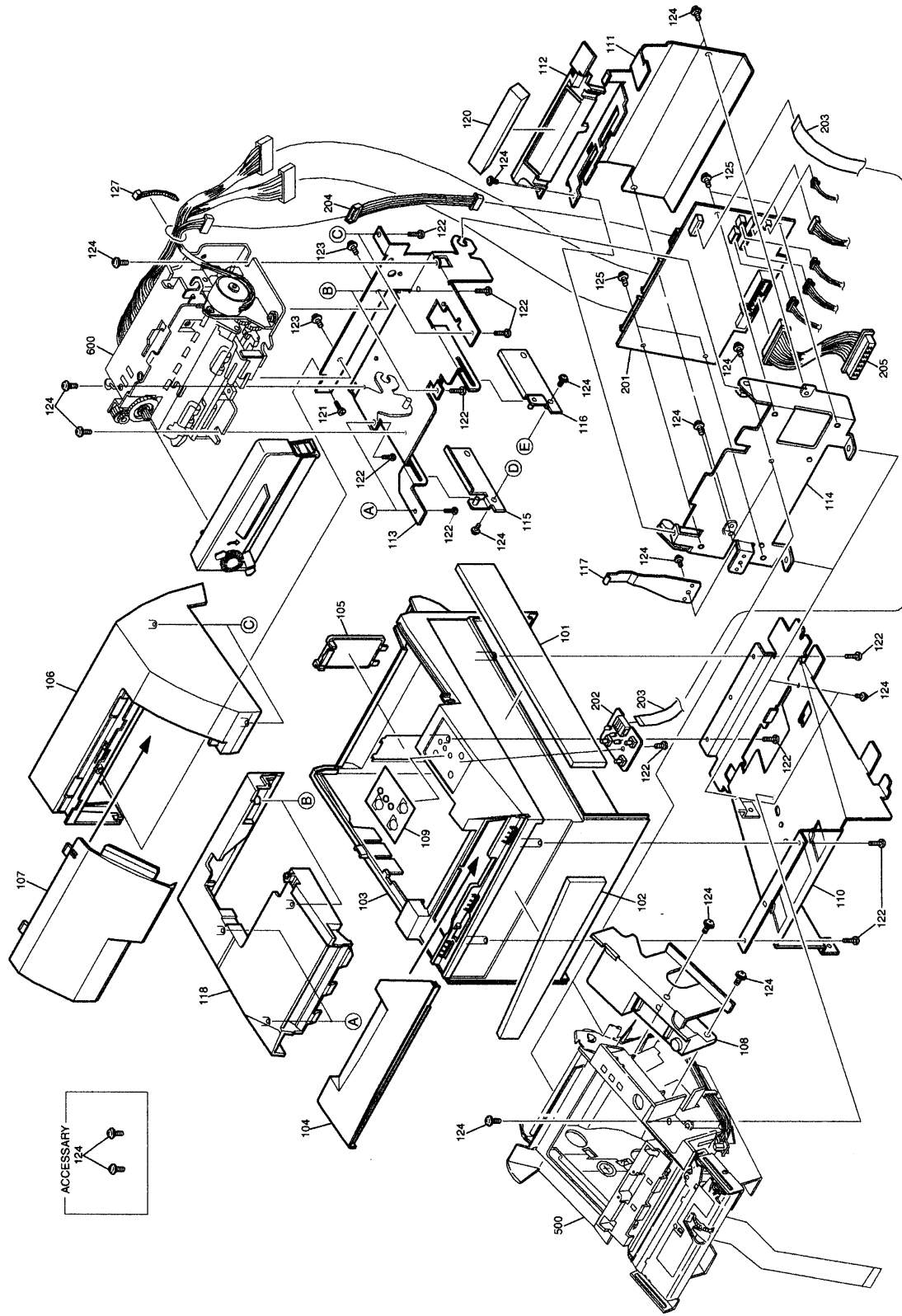
REF	PART NO	DESCRIPTION	SPEC	QTY
Q7	2006328	NPN TRANSISTOR	50V 100MA 200MW TP	1
Q8	X312211409	TRANSISTOR	50V 100MA 200MW	1
Q9	X312211409	TRANSISTOR	50V 100MA 200MW	1
QM1	2004446	TRANSISTOR ARRAY,4AC17	60V,4A,1.8W,NPN,	1
QM2	2004446	TRANSISTOR ARRAY,4AC17	60V,4A,1.8W,NPN,	1
QM3	2004446	TRANSISTOR ARRAY,4AC17	60V,4A,1.8W,NPN,	1
QM4	2004446	TRANSISTOR ARRAY,4AC17	60V,4A,1.8W,NPN,	1
R65	2020119	CHIP RESISTOR	0.51 OHM 1/2W	1
SW1	2035078	LIGHT TOUCH SWITCH	1,15V,20MA	1
U1	2026784	VOLTAGE REGULATOR		1
U11	2029176	SRAM	SOP,1MBIT,70N/SEC,32	1
U12	2014216	SWITCHING REGULATOR	SOP,4	1
U13	2012489	COMPARATOR	8	1
U14	X462707409	C-MOS IC	D TYPE F.F.	1
U15	2013708	LOGIC MOS	8	1
U16	X461600808	LOGIC MOS	DUAL 2-INPUT AND GATE FLA	1
U18	2020307	IC	SOP,14	1
U19	X422350079	TTL-IC	HEX BUF/DRV OC HI-VOCT	1
U2	2018007	HIC		1
U20	X422350069	TTL IC		1
U21	X422350069	TTL IC		1
U3	2010103	OPERATIONAL AMPLIFIER	SOP,8	1
U4	X461500809	C-MOS IC	7 INPUT AND GATE	1
U5	2003595	TRANSISTOR ARRAY,TA8428K	30V,3A,1.25W,NPN+P	1
U6	2021896	GATE ARRAY,E05M22NB		1
U7	2003700	RESET IC	8 PIN	1
U8	2023322	MICRO CONTROLLER,TMP95C061BF	100,	1
X1	2002628	CERAMIC OSCILLATOR		1
X2	2019967	CERAMIC OSCILLATOR	24.57MHZ,	1
202	2035081	SWITCH CIRCUIT BOARD ASS'Y,AA	TM-H3000R	1
203	2035153	FFC,SWITCH CIRCUIT BOARD AA		1
204	2035155	CABLE,MOTOR		1
205	2027305	MAIN HARNESS ASS'Y,A		1
500	1054095	MECHANISM ASS'Y,EH		1
501	1029350	GEAR,DECELERATION		1
502	1004399	RETAINING RING	TYPE-E(2.5)	1
503	1054247	COVER,FRAME ASS'Y,5		1
504	1032868	SPRING,FIXED BLADE HOLDER,RIGHT		1
505	1029375	SPRING,FIXED BLADE HOLDER		1
506	1029366	FIXED BLADE		1
507	B018101711	C.T.P.SCREW	M3X8	2
509	1031131	PLATEN ASS'Y		1
510	1052054	SHAFT HOLDER,PAPER FEED ROLLER		1
512	1029349	SHAFT,COVER		1
513	B150300411	RETAINING RING	TYPE-E(2)	2
514	1054067	PAPER GUIDE,FIXED BLADE		1
515	1004399	RETAINING RING	TYPE-E(2.5)	1
516	2030669	MOTOR,PAPER FEED,RECEIPT,B	,	1
517	B300204111	C.B.S. SCREW	M3X5	2
518	1029385	PAPER DETECTOR ASS'Y		1
519	1038911	PAPER GUIDE ASS'Y		1
520	B300204111	C.B.S. SCREW	M3X5	1
521	2034939	CABLE,HEAD,C		1
523	1049319	THERMAL PRINT HEAD ASS'Y,B		1
524	1029360	PLATE,SPRING PRESS		1
525	1029359	SPRING,PRESS HEAD		2
527	1040475	DETECTOR CIRCUIT BOARD ASS'Y,A		1
528	B300204111	C.B.S. SCREW	M3X5	1
529	2021873	LEAD WIRE,COVER OPEN DETECTOR		1
530	1029377	HOLDER,N.E. DETECTOR		1
531	1029378	LEVER,N.E. DETECTOR		1
532	2014923	MICRO-SWITCH		1
533	1017753	C.B.B-TITE SCREW	2X8	1
534	1033669	SCREW,DETECTOR ADJUSTMENT		1
535	B070100311	HEXAGON NUT	M3	1
536	2021872	LEAD WIRE, N.E. DETECTOR		1
537	B150300311	RETAINING RING	TYPE-E(1.5),F/ZN	1

EPSON TM-H3000R

(FOR IR-310)

Page 3

REF	PART NO	DESCRIPTION	SPEC	QTY
538	1053888	FRAME,PAPER CUTTER ASS'Y,A		1
539	1033915	MOTOR,PAPER CUTTER SUB ASS'Y		1
540	2029978	MICRO SWITCH	2.5V,0.1A	1
541	1051988	SCREW,SWITCH,1		1
542	2021871	LEAD WIRE,PAPER CUTTER		1
543	F201508030	SHIELD TUBE		4
544	F201509010	GUARD TUBE		1
545	1034028	MANUAL CUTTER		1
546	1051986	SCREW,MANUAL CUTTER		3
547	1054566	LABEL,OPERATION,CA		1
549	B300204111	C.B.S. SCREW	M3X5	2
553	1030695	PLATE,SHIELD		1
555	1053905	COVER PAPER CUTTER S/A		1
556	1052101	REINFORCE PLATE,FRAME,2		1
557	B300204111	C.B.S. SCREW	M3X5	4
560	1039482	SEAL,CAUTION,HEAD B		1
561	1006769	C.B. SCREW	2X2.5,F/ZN	1
562	1030694	SPRING COVER	ADDITION BY S/B S0269	1
563	B300204111	C.B.S. SCREW	M3X5	1
564	1030694	SPRING,COVER		1
600	1054752	MECHANISM ASS'Y,BA		1
601	F250051000	MOTOR ASS'Y	DC24V/0.12A/0.9W	1
602	F250051020	MOTOR GEAR		1
603	B010309411		M2X3	2
604	F250002010	MOTOR MOUNT PLATE		1
605	F250002020	SHAFT HOLDER GUIDE		1
606	F250002030	GUIDE SHAFT		1
607	F230004030	RETURN SUPPORT SPRING		1
608	B300302211	CUP SCREW (S TIGHT)	M2.5X5	11
609	B150300311	RETAINING RING	TYPE-E(1.5),F/ZN	1
610	F250003000	CARRIAGE SPRING		1
611	F250101010	INTERMITTENT GEAR		1
612	F230003000	R DETECTOR ASS'Y		1
613	F250153020	BOF COVER		1
614	F250201000	CARRIER DRIVE CAM SHAFT ASS'Y		1
615	F230727000	DOT HEAD UNIT H	24V 7P	1
616	F250251000	PAPER HOLD ROLLER ASS'Y		1
617	B150300411	RETAINING RING	TYPE-E(2)	1
618	F250253000	PF MOTOR MOUNT PLATE S/ A		1
619	F250252021	PAPER FEED MOTOR B		1
620	B300500211	CUP SCREW S TIGHT (FLAT TYPE)	2.5X3	2
621	F250254010	PAPER FEED TRANSMISSION GEAR		1
622	B101250590	LEAF SPRING		1
623	F250262000	PAPER HOLD LEVER SUB ASS'Y		1
624	F250263000	RELEASE CAM SUB ASS'Y		1
625	F250264000	PAPER FEED ROLLER SUB ASS'Y		1
626	F250261010	PLATEN		1
627	F250261020	PLATEN ADJUSTMENT ROLLER		2
628	F250261030	PLATEN ADJ. ROLLER HOLDER		2
629	F250261040	RELEASE CAM SPRING		1
630	B150300311	RETAINING RING	TYPE-E(1.5),F/ZN	1
631	F250265001	PAPER GUIDE SUB ASS'Y		1
632	F250260020	PAPER HOLD LEVER SHAFT		1
633	F250260030	PAPER HOLD LEVER SPRING		1
634	B300202211	C.T.B.S. SCREW	M2.5X5	1
635	B150300311	RETAINING RING	TYPE-E(1.5),F/ZN	1
636	F250352001	RIBBON FRAME SUB ASS'Y		1
637	F230001030	RIBBON ROLLING SHAFT		1
638	F230001040	RIBBON GEAR		1
639	B150300711	RETAINING RING	TYPE-E(4)	1
640	F250606010	CIRCUIT BOARD B		1
641	F250606020	CABLE A	11 WIRES	1
642	F250606030	CABLE B	12 WIRES	1
643	F250151000	TOF DETECTOR ASS'Y		1
644	F250152000	BOF DETECTOR ASS'Y		1
645	B030103311	C.P.S.SCREW	M3X6	2
646	F250266010	STOPPER GUIDE LEVER		1



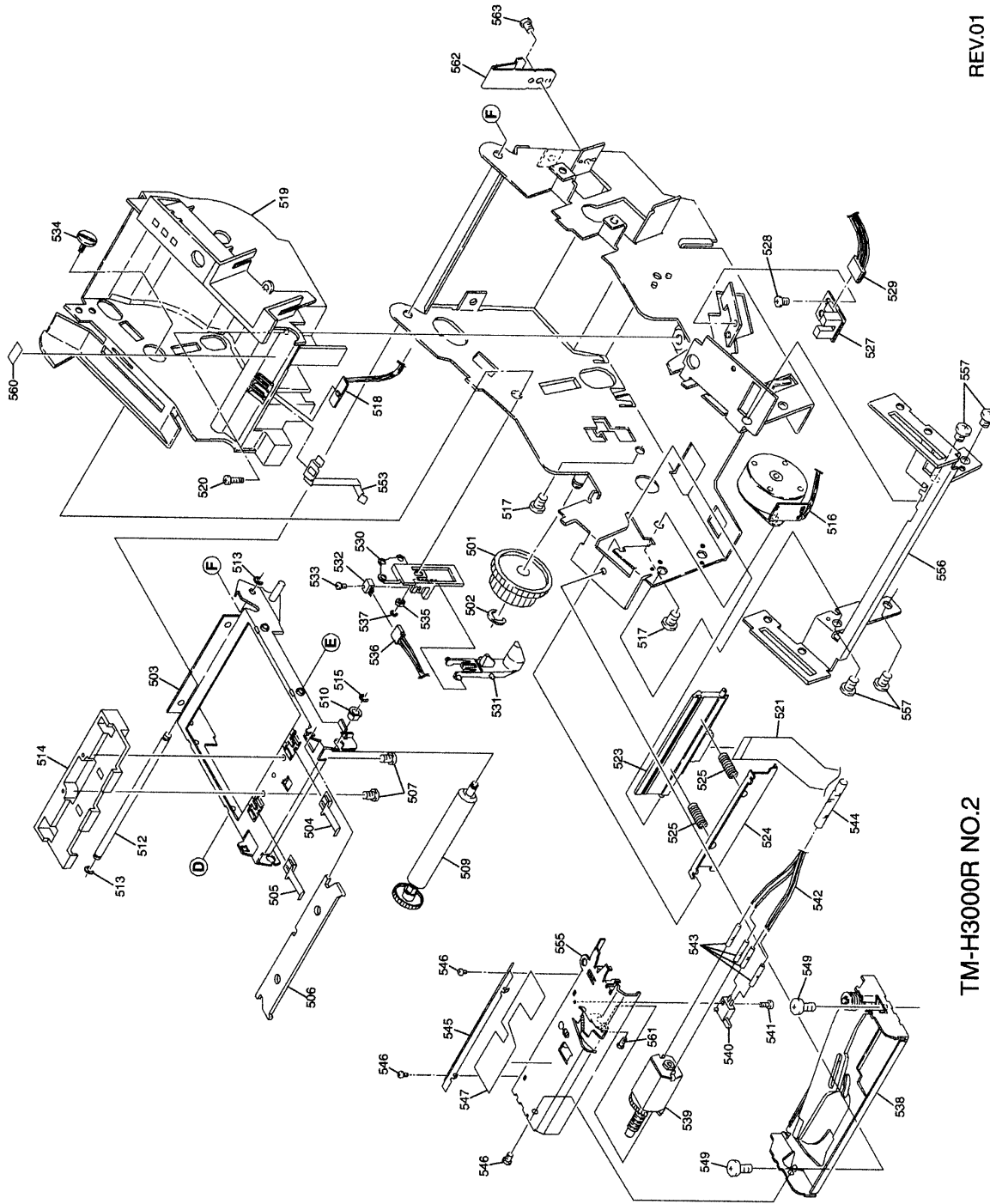
REV.01

TM-H3000R NO.1

EPSON TM-H3000R

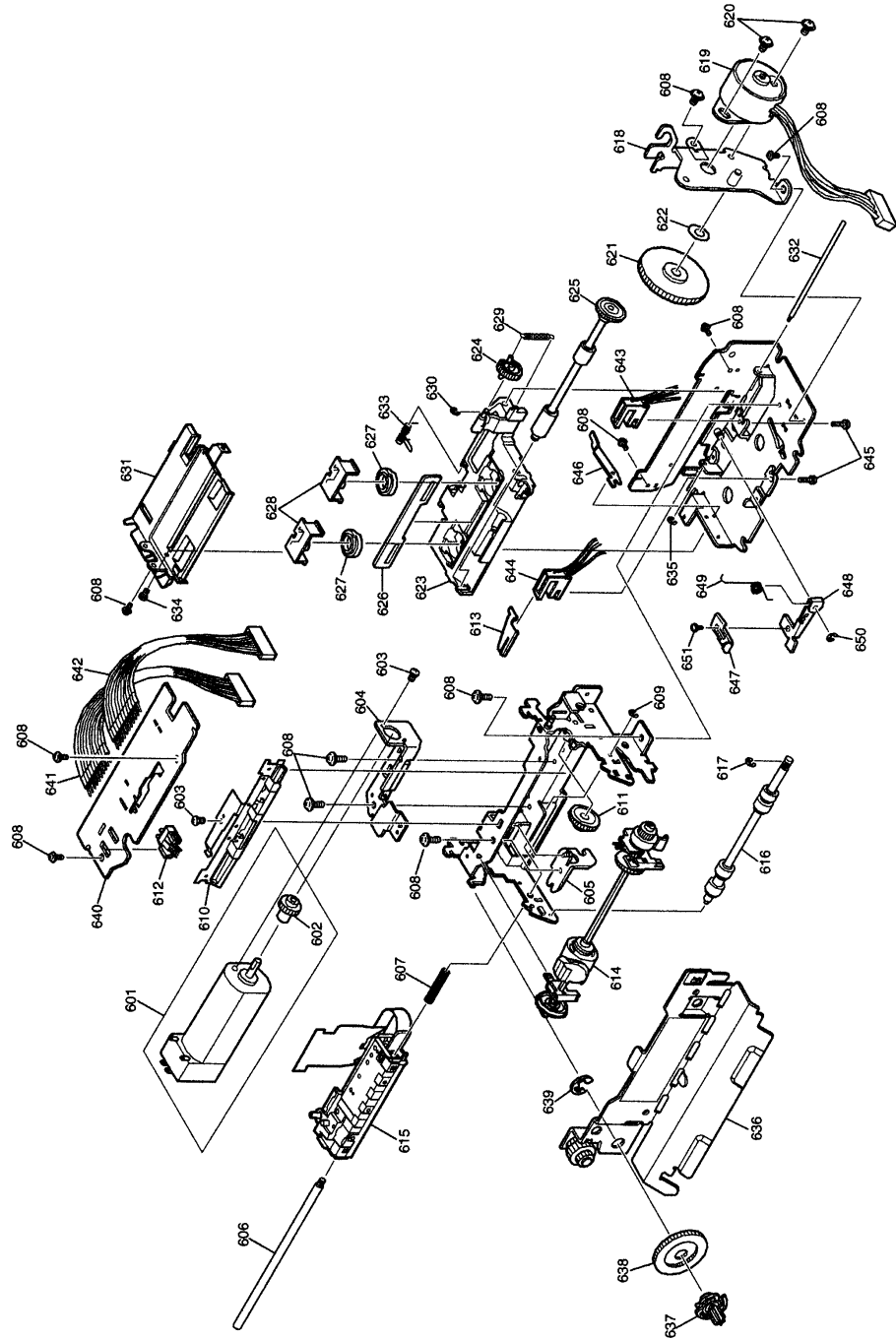
(FOR IR-310)

Page 6



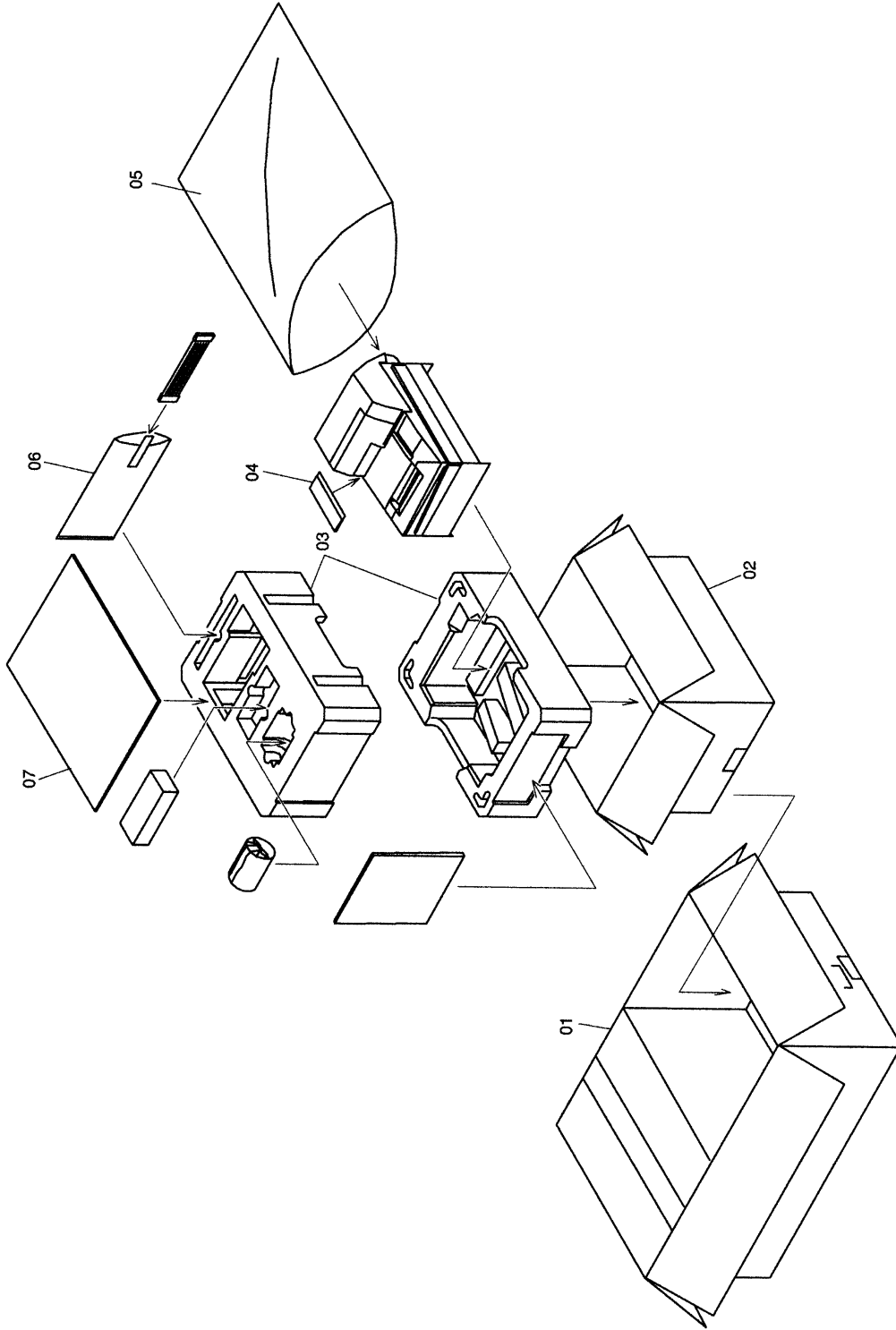
REV.01

TM-H3000R NO.2



REV.01

TM-H3000R NO.3



REV.01

PACKING MATERIAL FOR TM-H3000R