

EPSON

NB: Part Number rationalisation – 10 digit part numbers in brackets are the old numbers for otherwise identical items

TM-H6000(081)

Page No.:1

REF	PART NO	DESCRIPTION	SPEC	QTY
101	1046592	C.B.S-TITE F,3X4,F/ZN		5
103	1074117	C.P.T.SCREW(B018101811)	M3X10	7
104	1072922	CUP SCREW(B040350311)	M4X20	1
105	1073182	C.C.S. SCREW(B300304211)	M3X6	3
106	1073191	C.B.S-TITEF,3X6,F/ZN(B300804211)	M3X6	15
107	1074121	C.P.S.(O) SCREW(B302404211)	M3X6	9
108	1073255	C.B.B.SCREW,4X12,F/ZN(B310206411)	M4X12	2
109	1073288	C.B.B. SCREW(B310206811)	M4X25	2
110	1002902	CLAMP		1
111	1006007	IC COVER		1
112	1017085	PLAIN WASHER	4.2X1X12	2
113	1017079	SPACER,INSULATOR		2
114	1073521	DAMPER SPACER(F334005110)		2
115	1023411	SEAL,CAUTION		1
117	1052114	RUBBER FOOT		3
118	1052536	CASE,LOWER,BA		1
119	1046089	CASE,UPPER,AA	ECW	1
120	1046091	CASE,FRONT,AA	ECW	1
121	1055981	COVER,RIBBON CASSETTE ASS'Y,C	ECW	1
122	1046155	PLATE,MAIN,S/A		1
123	1046161	CASE,THERMAL,AA		1
124	1050325	SWITCH PANEL UNIT,BA	ECW	1
125	1046167	HOLDER,THERMAL ASS'Y,A		1
126	1046172	SHEET,THERMAL,A		1
127	1046178	FRAME,THERMAL,A		1
128	1046179	PLATE,STRENGTHEN,B		1
129	1046182	PLATE,HOOK,C		2
130	1046183	CUSHION,THERMAL		2
131	1046184	SPRING,THERMAL,LEFT		1
132	1046185	SPRING,THERMAL,RIGHT		1
133	1046186	SPRING,HOOK,C		2
134	1060243	BUTTON,THERMAL,BA		2
135	1053858	COVER,THERMAL MECHANISM,CB		1
136	1046194	PLATE,LOWER,A		1
137	1046199	PLATE,SUPPORT,A		1
138	1046201	HOLDER,TABLE,A		1
139	1046204	LABEL,OPERATION,BA		1
140	1046527	LABEL,OPERATION,CA		1
141	1046528	SEAL,FRONT,AA		1
142	1047051	LABEL,OPERATION,DA		1
145	1038983	COVER,POWER SWITCH,BA	ECW	1
146	1046202	LABEL,SWITCH PANEL,AA	ECW	1
148	1052055	SEAL,CAUTION		1
201	2060999	MAIN CIRCUIT BOARD UNIT,AAA	N/O	1
203	2025611	EARTH WIRE ASS'Y,F		1
204	2030794	THERMAL UNIT SENSOR C/ B ASS'Y	TM-H6000	1
205	2030796	FFC,THERMAL HEAD		1
206	2030797	CABLE,INTERMIT CIRCUIT BOARD		1
207	2030798	POWER SWITCH CABLE SET,AA		1
208	2030853	SWITCH PANEL C/B	TM-U675	1

EPSON

NB: Part Number rationalisation – 10 digit part numbers in brackets are the old numbers for otherwise identical items

TM-H6000(081)

Page No.:2

REF	PART NO	DESCRIPTION	SPEC	QTY
209	2030855	FFC,CIRCUIT BOARD		2
210	2030857	CABLE,SWITCH PANEL		1
500	1092357	THERMAL MECHANISM ASS'Y,LA		1
501	1004399	RETAINING RING	TYPE-E(2.5)	1
502	1005019	C.B.P-TITE SCREW,3X8,F/ZN	M3X8 F/ZN	4
503	1005775	SHAFT HOLDER,PLATEN		1
504	1017753	C.B.B-TITE SCREW	2X8	1
505	1029350	GEAR,DECELERATION		1
506	1029359	SPRING,PRESS HEAD		2
507	1065695	FIXED BLADE		1
508	1029377	HOLDER,N.E. DETECTOR		1
509	1029378	LEVER,N.E. DETECTOR		1
510	1029385	PAPER DETECTOR ASS'Y		1
511	1031131	PLATEN ASS'Y		1
512	1033669	SCREW,DETECTOR ADJUSTMENT,N.E.		1
513	1039482	SEAL,CAUTION,HEAD B		2
514	1046459	FRAME,RIGHT		1
515	1050007	FRAME,LEFT ASS'Y		1
516	1046461	FRAME,MOTOR		1
517	1046462	PLATE,FRAME		1
518	1046463	COVER,FRAME		1
519	1046464	PLATE,PRESSURIZING		1
520	1046465	PLATE,RELAXATION		1
521	1046466	SPRING,BLADE HOLDER		1
523	1046468	SPRING,COVER		2
524	1046469	SHAFT,COVER		2
525	2032671	THERMAL PRINT HEAD ASS'Y (ASP)		1
526	1046471	PAPER HOLDER		1
527	1046524	INTERMIT CIRCUIT BOARD ASS'Y		1
528	1050075	FRAME,PAPER CUTTER ASS'Y,2		1
528	1053888	FRAME,PAPER CUTTER ASS'Y,A		1
529	1033915	MOTOR,PAPER CUTTER SUB ASS'Y		1
530	1034028	MANUAL CUTTER		1
532	1042315	SHIEL TUBE M-T88		4
533	1042314	GUARD TUBE M-T88		1
534	2021871	LEAD WIRE,PAPER CUTTER		1
535	2029978	MICRO SWITCH	2,5V,0.1A	1
536	1047060	PLATE,SCREENING		1
537	1074066	HEXAGON NUT(B070100311)	M3	1
538	1074017	RETAINING RING(B150300314)	TYPE-E(1.5),F/UC	1
539	1074102	RETAINING RING(B150300411)	TYPE-E(2)	2
540	1073191	C.B.S-TITEF,3X6,F/ZN(B300804211)	M3X6	12
541	2014343	DETECTOR CIRCUIT BOARD ASS'Y,A		1
542	2014923	MICRO-SWITCH		1
543	2021873	LEAD WIRE,COVER OPEN DETECTOR		1
544	2030669	MOTOR,PAPER FEED,RECEIPT,B		1
545	2030854	LEAD WIRE,N.E.DETECTOR ASS'Y		1
546	1046596	COVER PAPER CUTTER ASS'Y,C		1
546	1053905	COVER PAPER CUTTER SUB ASS'Y,B		1
547	1048416	PLATE,RELAXATION FIXING		1

EPSON

NB: Part Number rationalisation – 10 digit part numbers in brackets are the old numbers for otherwise identical items

TM-H6000(081)

Page No.:3

REF	PART NO	DESCRIPTION	SPEC	QTY
548	1051986	SCREW,MANUAL CUTTER		3
549	1051988	SCREW,SWITCH,1		1
550	1006769	C.B. SCREW	2X2.5,F/ZN	1
551	1054342	AUTO CUTTER UNIT,E		1
600	1092349	MECHANISM ASS'Y,LA		1
601	1004101	RIBBON FEEDING SPRING		1
602	1014409	CAP,BELT DRIVE		2
603	1048150	SPRING,PLATEN		2
604	1017350	OIL RING		2
605	1017361	HOLDER, SLIP PAPER INSERTION DETECTOR		1
606	1017982	NYLON CLIP		1
607	1019731	C.P.P-TITE SCREW	3X12	1
608	1024130	C.B.P-TITE SCREW,3X6,F/ZN		4
609	1024687	SHAFT HOLDER,SLIP PAPER FEED ROLLER		4
610	1029924	SPRING,CARRIAGE		1
611	1046247	FRAME,FRONT REINFORCE		1
612	1084563	FRAME,FRONT,B		1
613	1046249	DETECTOR PLATE,LEVER DRIVE MOTOR		1
614	1046254	GEAR,LEVER MOTOR REDUCTION		1
615	1046256	GEAR,LEVER DRIVE TRANSMISSION		1
616	1046259	GEAR,LEVER DRIVE SHAFT		1
617	1049593	FORM STOPPER,A		1
618	1046273	SHAFT,FORM STOPPER		1
619	1046274	SPRING,FORM STOPPER		1
620	1046279	COIL,LEVER DRIVE,A		1
621	1046280	COIL,LEVER DRIVE,B		1
622	1046282	GUIDE,NOSE		1
623	1060416	LEVER,PLATEN,A		1
624	1046288	SPRING,PLATEN LEVER		1
625	1046289	SHAFT,PLATEN LEVER,L		2
626	1046293	CAM,PLATEN LEVER DRIVE		1
627	1046301	BELT,CARRIAGE		1
628	1046302	SPRING,BELT TENSION		1
629	1046303	SHAFT,CARRIAGE GUIDE		1
630	1046305	PULLEY,CARRIAGE TRANSMISSION		1
631	1046306	PULLEY,CARRIAGE DRIVE		1
632	1046307	GEAR,CARRIAGE DRIVE TRANSMISSION		1
633	1046310	HOLDER,PAPER EJECTION DETECTOR		1
634	1046325	GEAR,PAPER FEED TRANSMISSION		1
635	1046344	SHAFT,PAPER FEED FRAME		1
636	1046345	SHAFT,SUB SLIP FEED LEVER		1
637	1046348	SHAFT,SLIP HOLD ROLLER		1
638	1046351	GEAR,SLIP TRANSMISSION		3
639	1046353	GEAR,SLIP DRIVE		4
640	1046364	SPRING,PAPER FEED FRAME FIXING LEVER,A		1
641	1046365	SPRING,SUB SLIP FEED LEVER		1
642	1046366	SPRING,PAPER FEED FRAME FIXING LEVER,B		1
643	1046375	HOLDER,SLIP FEED ROLLER		1
644	1046376	HOLDER,SUB SLIP FEED ROLLER		1
645	1046377	FRAME,SLIP GUID UPPER		1

EPSON

NB: Part Number rationalisation – 10 digit part numbers in brackets are the old numbers for otherwise identical items

TM-H6000(081)

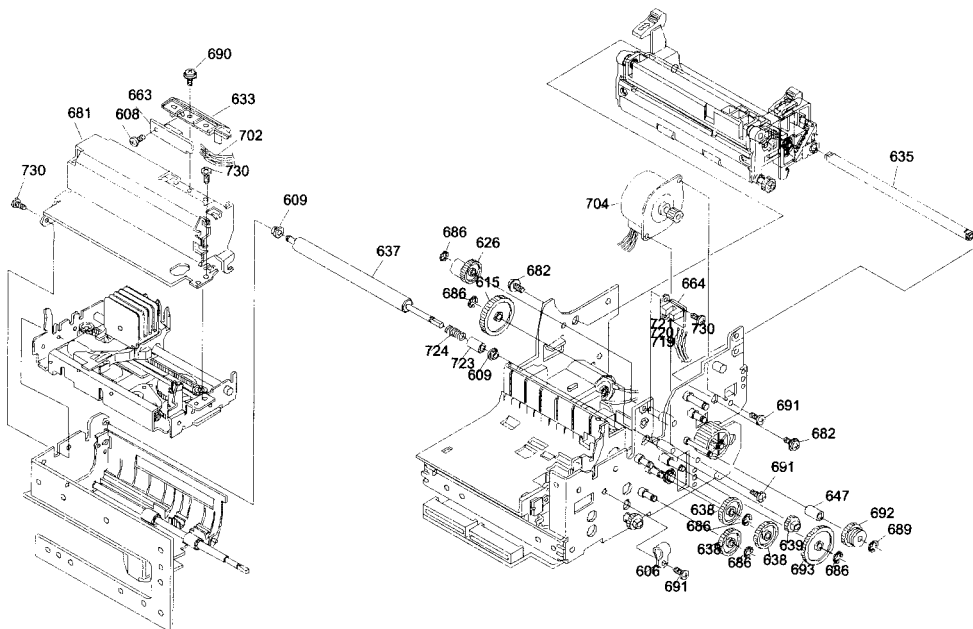
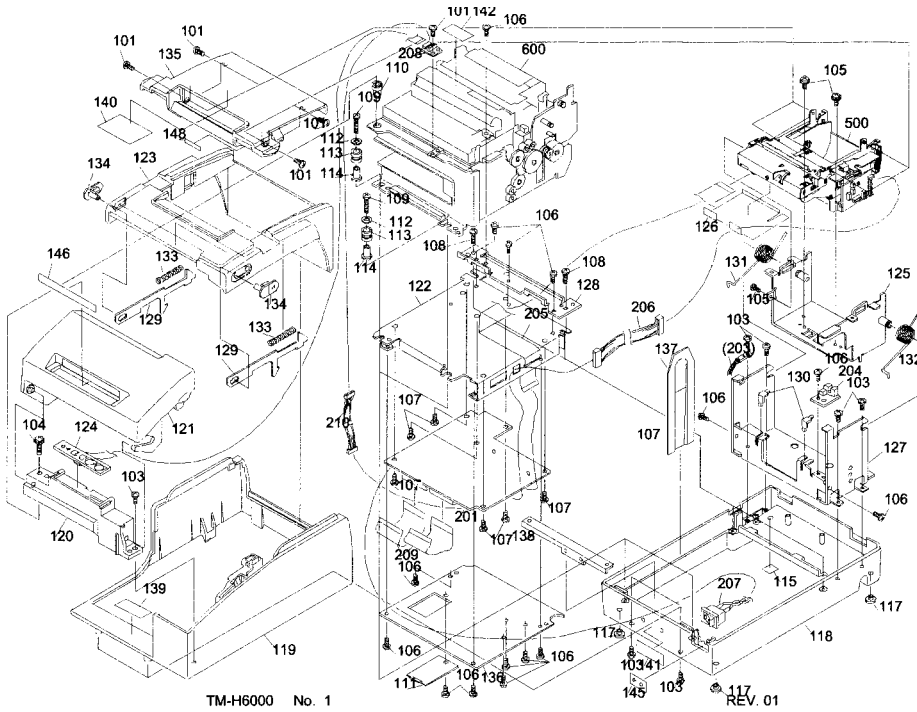
Page No.:4

REF	PART NO	DESCRIPTION	SPEC	QTY
646	1046379	FRAME,SLIP GUIDE LOWER,B		1
647	1046380	SPACER,J/S CHANGE		1
648	1046388	ROLLER,SUB SLIP HOLD		1
649	1046389	ROLLER,SLIP FEED		1
650	1046394	PAPER GUIDE,SLIP		1
651	1046399	PLATE,PLATEN GROUND,A		1
652	1046400	PLATE,PLATEN GROUND,B		1
653	1046406	SHUTTER,MICR		1
654	1046407	SHUTTER,ENDORSEMENT PLATEN		1
656	1046413	GEAR,RIBBON REDUCTION		1
657	1046415	GEAR,RIBBON INTERMEDIATE		1
658	1046451	SCREW,PLATEN ADJUSTMENT		2
659	1046516	MOTOR,LEVER DRIVE ASS'Y		1
660	1046517	LEVER,SUB SLIP FEED SUB ASS'Y		1
662	1046525	PRINT HEAD UNIT,EB		1
663	1046547	PAPER EJECTION DETECTOR ASS'Y		1
664	1046548	FRONT COVER DETECTOR ASS'Y		1
665	1046550	LEVER DRIVE SHAFT ASS'Y		1
666	1046551	ROLLER,SUB SLIP FEED ASS'Y		1
667	1046555	MOUNTING PLATE,LEVER COIL SUB ASS'Y		1
668	1046556	SLIP B.O.F. DETECTOR ASS'Y		1
669	1046567	FRAME,PLATEN LEVER ASS'Y		1
670	1046571	LEVER,PAPER FEED FRAME FIXING R ASS'Y		1
671	1046573	SLIP T.O.F. DETECTOR ASS'Y		1
672	1046574	LEVER MOTOR T.P. DETECTOR ASS'Y		1
673	1046576	MAIN CIRCUIT BOARD,AB ASS'Y		1
674	1046577	RIBBON DRIVE PLATE ASS'Y		1
675	1046578	H.P.DETECTOR ASS'Y		1
676	1046579	INTERMEDIATE CIRCUIT BOARD ASS'Y		1
677	1046580	CARRIAGE ASS'Y		1
678	1046582	PLATEN ASS'Y		1
679	1046586	LEVER,PAPER FEED FRAME FIXING L,B ASS'Y		1
680	1046587	GEAR,RIBBON TAKE-UP ASS'Y		1
681	1046588	FRAME,CARRIAGE COVER ASS'Y		1
682	1072822	CUP SCREW(B040302411)	M3X5 F/ZN	2
683	1073971	NYLON NUT(B080500111)	M3	2
684	1074017	RETAINING RING(B150300314)	TYPE-E(1.5),F/UC	2
685	1074102	RETAINING RING(B150300411)	TYPE-E(2)	4
686	1074104	RETAINING RING(B150300611)	TYPE-E(3)	11
687	1074107	RETAINING RING(B150300711)	TYPE-E(4)	2
688	1074109	RETAINING RING(B150300811)	TYPE-E(5)	2
689	1074111	RETAINING RING(B150350111)	TYPE-E(2.3)	2
690	1073372	CUP SCREW (S TIGHT)(B300302211)	M2.5X5	2
691	1073191	C.B.S-TITEF,3X6,F/ZN(B300804211)	M3X6	22
692	1078850	JOURNAL/SLIP C/OVER GEAR(F150102010)		1
693	1078851	PF 2ND. REDUCTION GEAR(F150102020)		1
694	1068400	CRANKSHAFT HOLDER(F701225060)		2
695	1065228	PF TRIGGER SPRING(F701251080)		2
696	1070179	PF TRIGGER LEVER(F703251050)		2
697	2030904	MOTOR,CARRIAGE		1

NB: Part Number rationalisation – 10 digit part numbers in brackets are the old numbers for otherwise identical items

TM-H6000(081)

Page No.:6



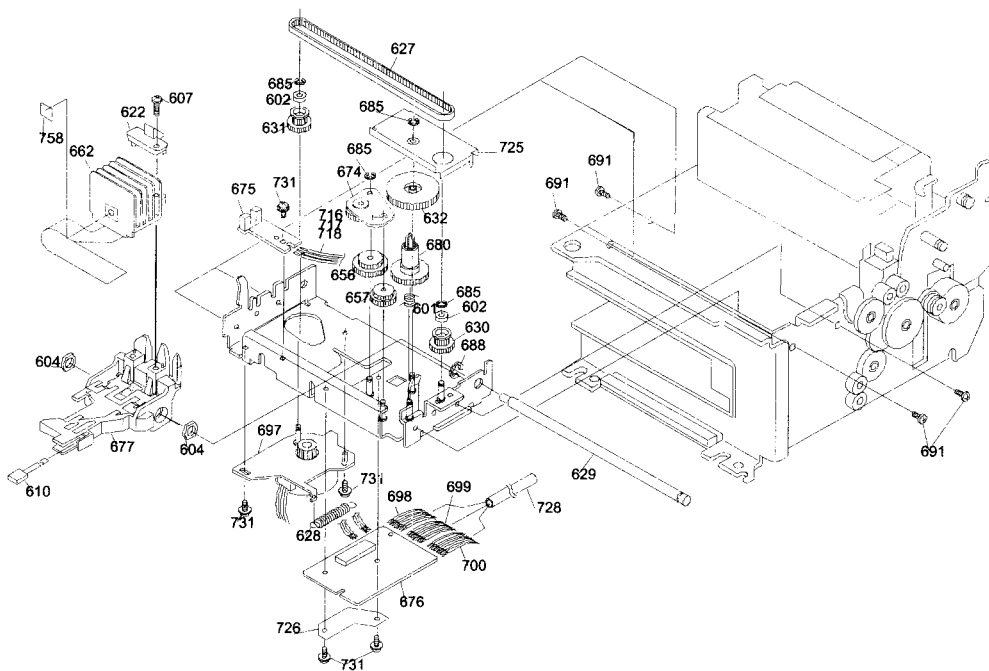
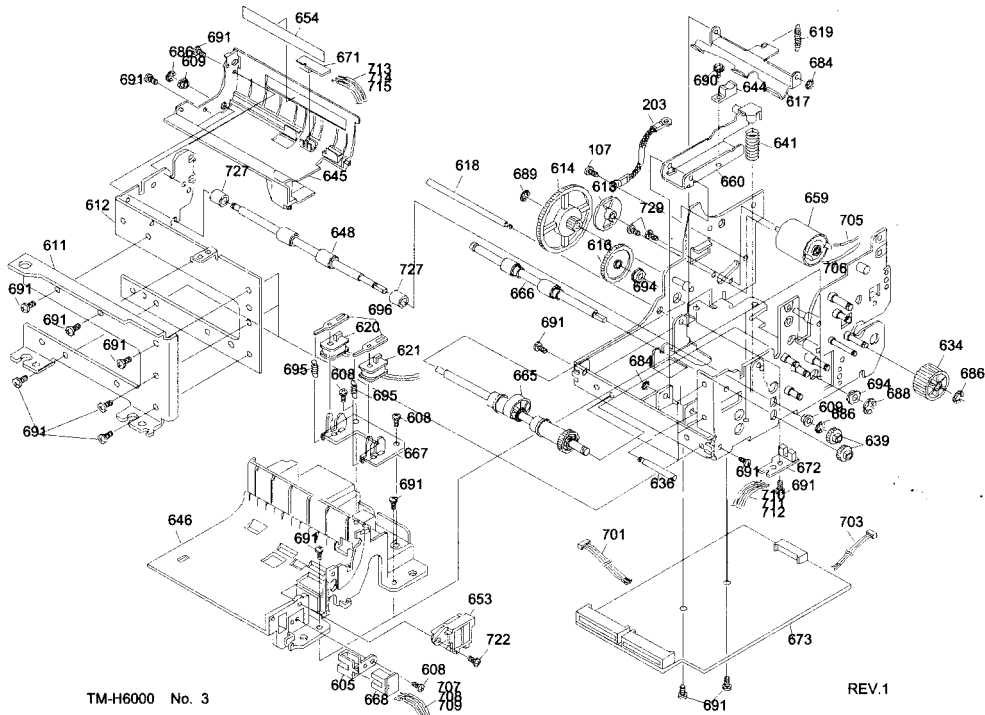
TM-H6000 No. 2

REV. 1

NB: Part Number rationalisation – 10 digit part numbers in brackets are the old numbers for otherwise identical items

TM-H6000(081)

Page No.:7



NB: Part Number rationalisation – 10 digit part numbers in brackets are the old numbers for otherwise identical items

TM-H6000(081)

Page No.:8

