

# EPSON

## TM-J2000P(011)

Page 1

REF	PART NO	DESCRIPTION	SPEC	QTY
101	1060851	LOGO PLATE,AA		2
102	1055108	SWITCH PANEL UNIT,AA		1
103	1055708	COVER,ROLL PAPER,AA		1
104	1055709	TABLE,PAPER EJECTION,AA		1
105	1055710	CASE,FRONT,AA		1
106	1055711	COVER,CARTRIDGE,AA		1
107	1055712	CASE,MAIN,AA		1
108	1055713	COVER,CUTTER,AA		1
109	1055716	GUIDE, TABLE,AA		1
111	1055718	FRAME,C/B,A		1
112	1055719	COVER,I/F		1
113	1055720	COVER,C/B,A		1
114	1055721	PLATE,SUPPORT,A		1
115	1061077	SEAL,CAUTION,C		1
117	2035492	INTERCONNECTION C/B ASS'Y,AA	TM-J2000	1
118	2035506	FFC,IF INTERCONNECTION C/B		1
119	1055714	COVER,BACK,AA		1
120	1038983	COVER,POWER SWITCH,BA		1
121	1055245	MAINTENANCE CARTRIDGE UNIT		1
122	1057737	PRINT HEAD		1
123	1061001	MECHANISM ASS'Y,AB		1
124	1055722	LABEL,OPERATION,AA		1
125	1027629	PLATE,CONNECTOR,BA		1
126	1061079	GASKET,A		2
S1	B302404211	C.P.S.(O) SCREW	M3X6	14
S8	B300104211	C.P.S. SCREW	M3X6	2
201	2035478	MAIN C/B UNIT,AA		1
202	2032726	PARALLEL I/F C/B ASS'Y,C	UB-P02	1
501	1017364	HOLDER,N.E.DETECTOR		1
502	1019914	GEAR,TRANSMISSION		2
503	1020228	SPACER,N.E.DETECTOR		1
504	1026984	TAPE,FFC COVER		1
505	1032390	CABLE CRAMP		2
506	1055357	ROLLER,TENSION		1
507	1055358	ROLLER,PAPER HOLD		1
508	1055360	O-RING,TUBE HOLD		1
509	1055368	SPRING,PAPER HOLD		1
510	1055369	SPRING,123		2
511	1055392	FRAME,TUBE GUIDE		1
512	1055395	GEAR,TENSION ROLLER		1
513	1055400	GUIDE,ROLL PAPER		1
514	1055401	HOLDER,ROLL PAPER		1
515	1055402	LEVER,N.E.DETECT		1
516	1055403	HOLDER,PLATEN		1
517	1055431	SPRING,SLIDER		1
518	1055439	PLATEN		1
519	1055442	LEVER,ROLL PAPER		1
520	1055443	PLATE,COVER		1
521	1055453	FIXED BLADE		1
522	1055457	NUT,TUBE		1
523	1055467	SHAFT,PAPER HOLD ROLLER		2
524	1055470	SHAFT,COVER		1
525	1055477	SHAFT,HOLDER,ROLL PAPER		1
526	1055479	SHAFT,LINK		1
527	1055480	SHAFT,LINK,B		1
528	1055648	LINK,FRAME FRONT SUB ASS'Y		1
529	1055649	LINK,FRAME BACK SUB ASS'Y		2
532	1056085	SHEET,ROLL PAPER		1
533	2011867	MICROSWITCH	1,30V,0.1A,	1
534	2035349	PHOTO MICRO SENSOR		1
535	2035353	FPC,HEAD		1
536	2035358	CONNECTOR,H.P.	...	1
537	2035359	CONNECTOR,N.E.DETECT	...	1
538	2035505	POWER SWITCH ASS'Y,AA		1
539	C109302051	DETECTOR ADJUSTMENT SCREW		1
540	C732211010	PRINT SHAFT HOLDER		2
541	Y583001013	RUBBER FOOT	199-1708	4
542	1055652	PUMP UNIT		1
543	1055651	PUMP ASS'Y		1

# EPSON

## TM-J2000P(011)

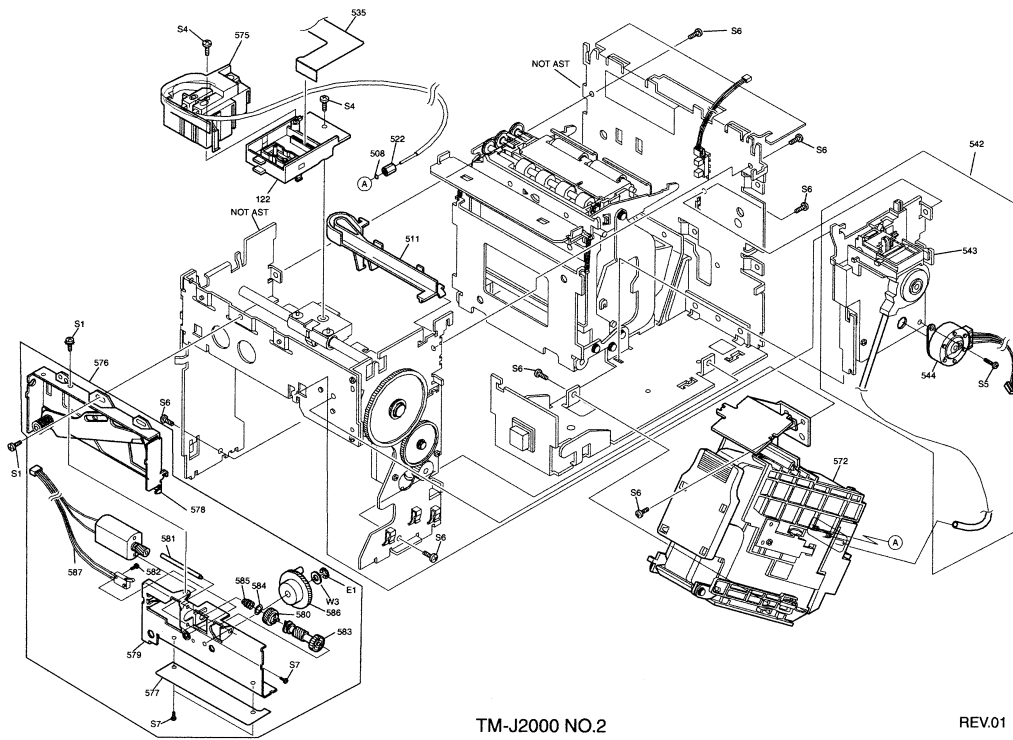
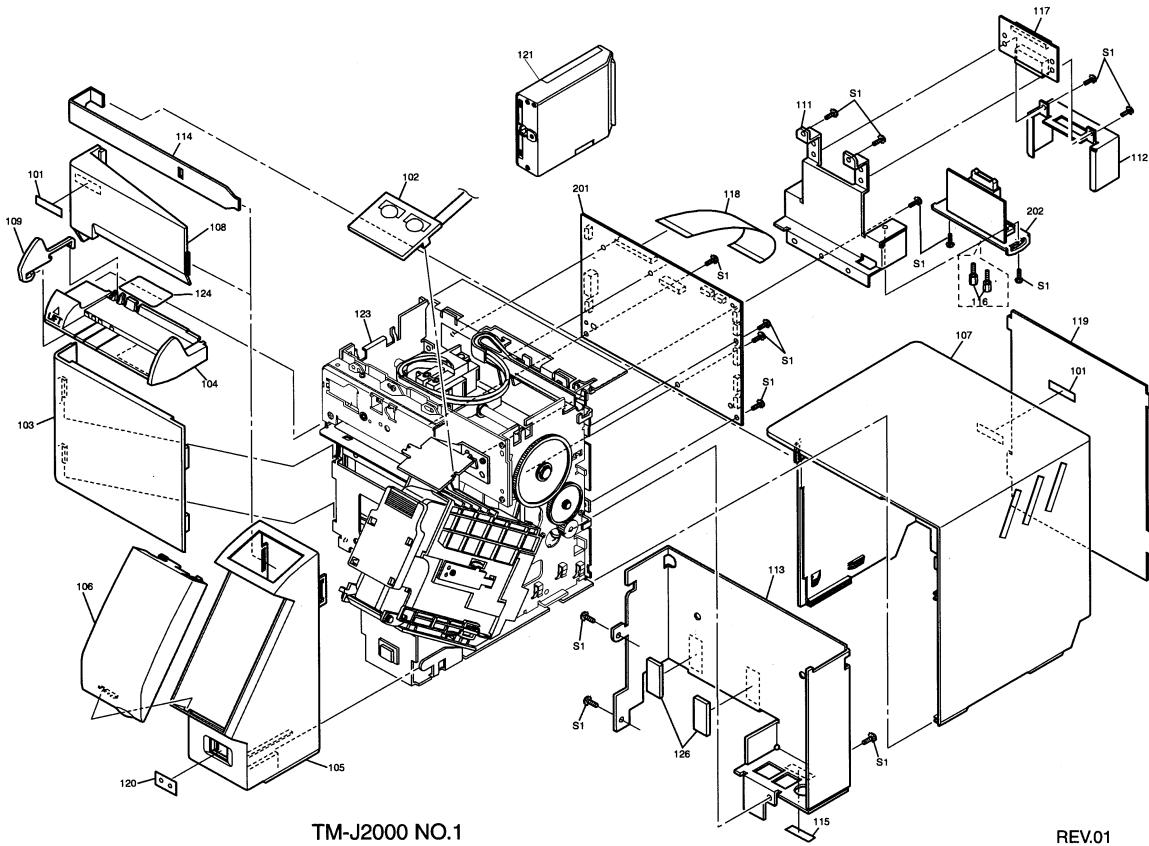
Page 2

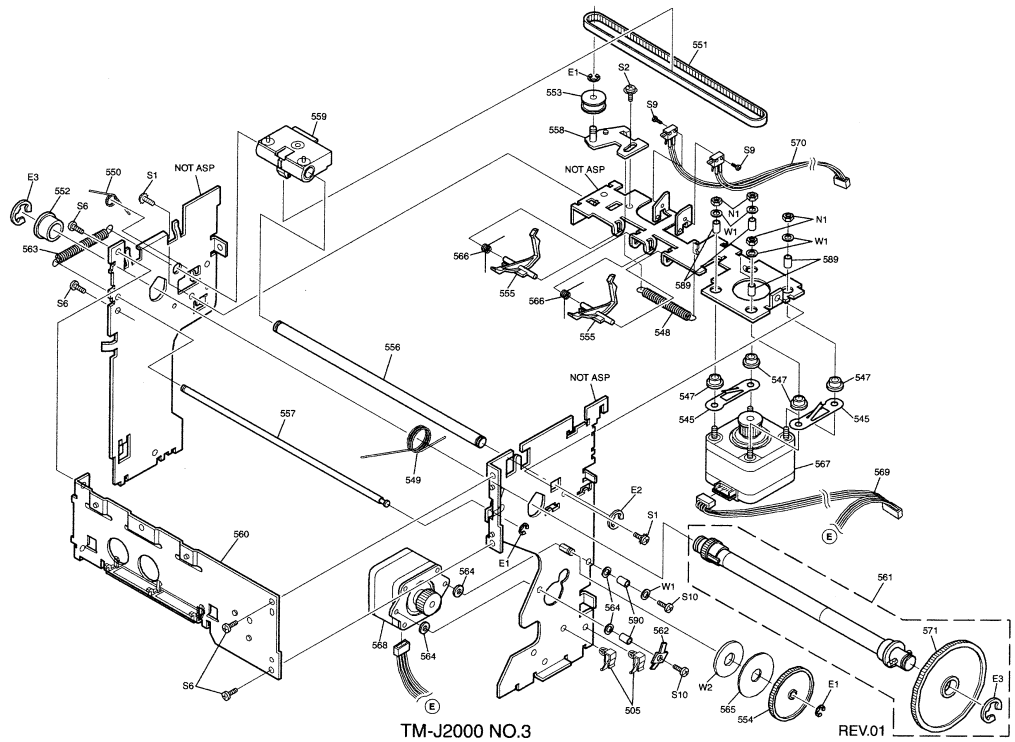
REF	PART NO	DESCRIPTION	SPEC	QTY
544	2035356	MOTOR,PUMP	,	1
545	1041153	EARTH PLATE,CARRIAGE MOTOR		2
547	1055356	BUSH,CARRIAGE MOTOR		4
548	1055364	SPRING,BELT TENSION		1
549	1055365	SPRING,GUIDE SHAFT,R		1
550	1055366	SPRING,GUIDE SHAFT,L		1
551	1055384	BELT,CARRIAGE		1
552	1055386	SLIDE BEARING,PAPER FEED		1
553	1055391	PULLEY,CARRIAGE TRANSMIT		1
554	1055398	GEAR,TRANSMIT		1
555	1055404	LEVER,PAPER DETECT		2
556	1055461	SHAFT,CARRIAGE GUIDE		1
557	1055462	SHAFT,SUB CARRIAGE GUIDE		1
558	1055654	CARRIAGE,TRANSMIT PULLEY SUB ASS'Y		1
559	1055656	HEAD,CARRIAGE SUB ASS'Y		1
560	1055658	FRAME,FRONT SUB ASS'Y		1
561	1055659	PAPER FEED,ROLLER SUB ASS'Y		1
562	1057254	GROUND PLATE,MOTOR		1
563	1056082	SPRING,GUIDE SHAFT,TENSION		1
564	1056083	INSULATOR,PF MOTOR		4
565	1056084	TAPE,TRANSMIT GEAR		1
566	1056086	SPRING,PAPER DETECT		2
567	2035354	MOTOR,CARRIAGE	,	1
568	2035355	MOTOR,PAPER FEED	,	1
569	2035357	CONNECTOR,MOTOR	...	1
570	2035360	CONNECTOR,PAPER DETECT	...	1
571	1055393	GEAR,PAPER FEED		1
572	1055660	CARTRIDGE,HOLDER UNIT,AA		1
573	2035349	PHOTO MICRO SENSOR		1
574	2035361	CONNECTOR,IC DETECT	...	1
575	1055663	INK,SUPPLY UNIT,AA		1
576	1055664	CUTTER UNIT		1
577	1055456	EMERGENCY CUTTER		1
578	1055666	CUTTER,FRAME ASS'Y		1
579	1055667	CUTTER,COVER SUB UNIT		1
580	1036006	GEAR,DETECTION A/C		1
581	1036010	SHAFT,DETECTION GEAR A/C		1
582	1036655	SCREW,SWITCH		1
583	1047118	GEAR,CUTTER WORM		1
584	1047122	WASHER,CLUTCH		1
585	1047124	SPRING,CUTTER CLUTCH		1
586	1055669	CUTTER,DRIVE GEAR SUB ASS'Y		1
587	1055670	CUTTER,MOTOR ASS'Y		1
588	1060242	INSULATOR,HOLDER ROLL PAPER		2
589	1060936	SPACER,3X5X4,F/ZN		4
590	1061085	SPACER,3X2.5X4,F/ZN		2
E1	1004399	RETAINING RING	TYPE-E(2.5)	18
E2	B150300911	RETAINING RING	TYPE-E(6)	1
E3	B150301111	RETAINING RING	TYPE-E(8)	2
N1	B070100311	HEXAGON NUT	M3	5
S1	B302404211	C.P.S.(O) SCREW	M3X6	4
S10	B010103411	C.P.SCREW	M3X8	2
S2	B302304211	C.P.S.(P) SCREW	M3X6	1
S3	1017753	C.B.B-TITE SCREW	2X8	1
S4	1041438	C.B.P-TITE,2.6X8		2
S5	B300204711	C.B.S. SCREW	M3X16	1
S6	B300804211	C.B.S-TITEF,3X6,F/ZN		12
S7	1006769	C.B. SCREW	2X2.5,F/ZN	3
S9	1006365	C.T-2.B SCREW	M2X6	2
W1	B100150512	PLAIN WASHER	M3X0.5X8	5
W2	1056105	P.WASHER,10.5X1.6X22,F/ZN		1
W3	B100157612	PLAIN WASHER	M3X0.5X7 F/NI	1
W4	B100166411	PLAIN WASHER,4.3X0.8X8,F/ZN		2
1	N/A	PLASTIC BAG,PRINTER	<b>PACKAGING ITEMS SHOWN</b>	1
2	N/A	PLASTIC BAG,ACCESSORY	<b>FOR REFERENCE BUT NOT</b>	1
3	N/A	BUBBLEPACK PAD,250X350	<b>AVAILABLE AS SPARES</b>	1
4	N/A	PLASTIC BAG ,200X250X0.05T		1
5	N/A	OUTER CARTON		1
6	N/A	INDIVIDUAL BOX,		1

REF	PART NO	DESCRIPTION	SPEC	QTY
7	N/A	PAD ASS'Y,J2000		1
8	N/A	SLEEVE,J2000		1
51	B701500001	GREASE G-15 (40GR)	M-350 CR-900	1
52	B703600001	GREASE G-36 (40GR)	M-1541/M-820	1
53	B703100001	GREASE G-31 (40GR)	TM-U300,U200	1
END				

# EPSON TM-J2000P(011)

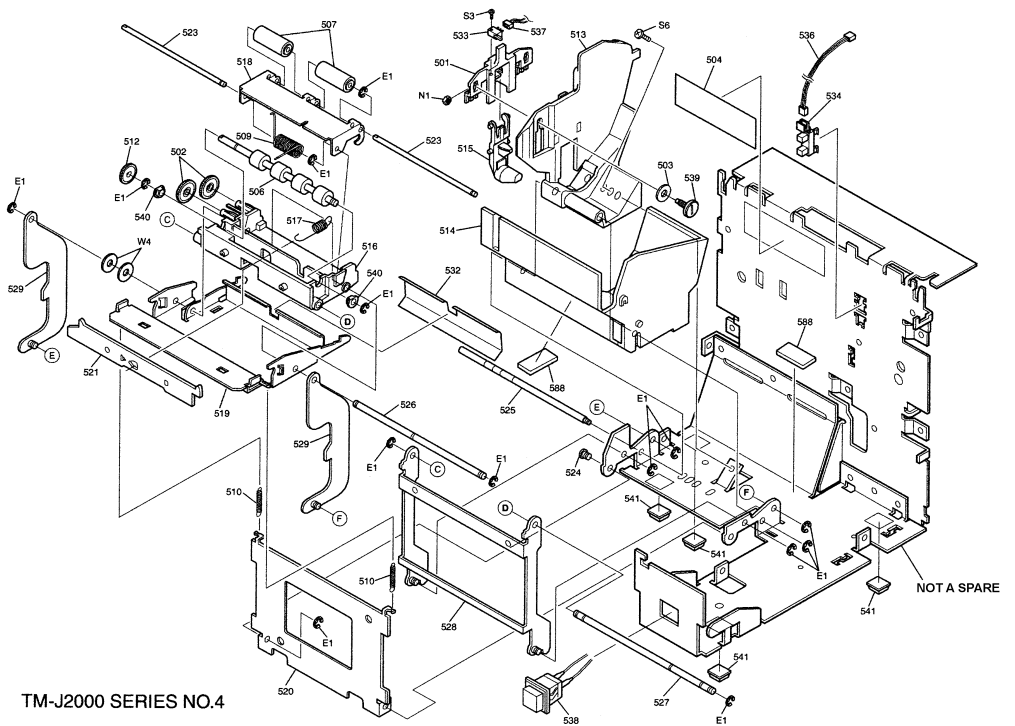
Page 4





TM-J2000 NO.3

REV.01

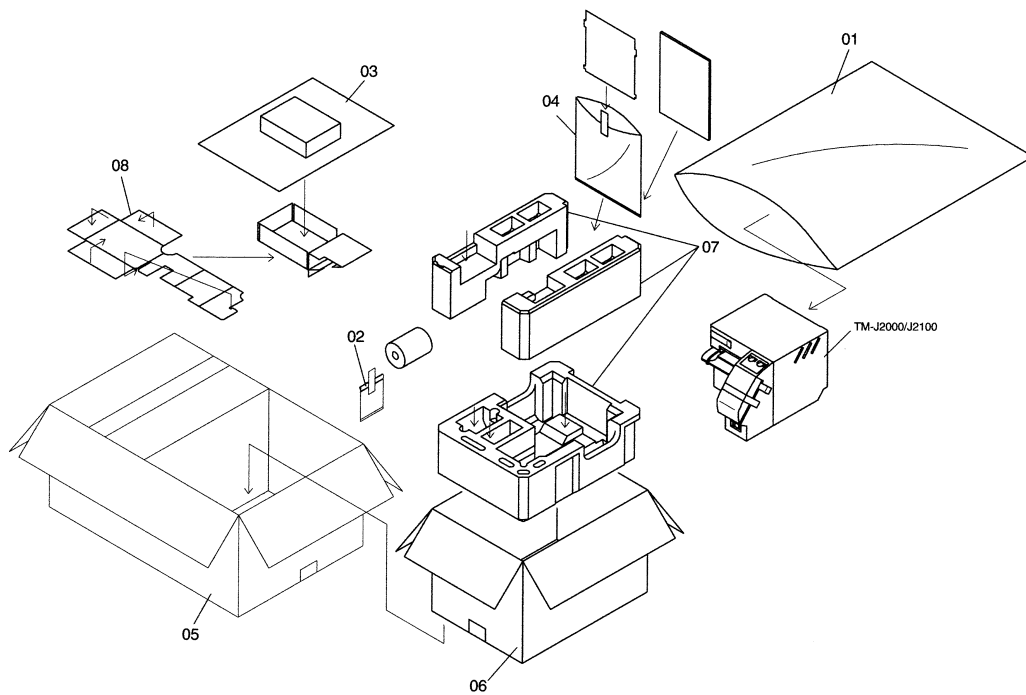


TM-J2000 SERIES NO.4

# EPSON

## TM-J2000P(011)

Page 6



PACKING MATERIAL FOR TM-J2000 SERIES