

**NB: Part Number rationalisation – 10 digit part numbers in brackets are the old numbers for otherwise identical items**

## TM-J7500P(011)

Page No.:1

REF	PART NO	DESCRIPTION	SPEC	QTY
103	1021064	SPACER,VIBRATION		3
104	1024844	SLEEVE		3
106	1061077	SEAL,CAUTION,C		1
107	1075187	RUBBER FOOT(Y583001013)	199-1708	4
108	1108533	SWITCH PANEL,BA		1
109	1109911	SPRING,COVER OPEN		1
111	1113344	LABEL,OPERATION,BA		1
112	1113346	LABEL,OPERATION,DA		1
113	1113351	SPACER,4X8.5X5.3,F/ZN		5
114	1233899	CASE,UPPER,W,AA		1
115	1233903	CASE,LOWER,W,AA		1
116	1233904	COVER,ROLL PAPER,W,AA		1
117	1233905	COVER,CARRIAGE,W,AA		1
118	1108529	BUTTON,OPEN,AA		1
119	1233906	CASE,FRONT,W,AA		1
120	1154275	128C HEAD ASP UNIT		1
121	1254095	MECHANISM ASS'Y,BA		1
122	1038983	COVER,POWER SWITCH,BA	WHITE	1
123	2048039	PARALLEL I/F CIRCUIT BOARD UNIT,D	,	1
124	1062174	LOGO PLATE,AB		1
125	1178244	MAINTENANCE CARTRIDGE 6UNIT		1
126	1178246	MAINTENANCE CARTRIDGE 7UNIT		1
127	1023563	CAUTION SEAL,AA		1
128	1233907	PLATE,AC ADAPTOR		1
201	2082098	MAIN CIRCUIT BOARD UNIT,DA		1
501	1017361	HOLDER, SLIP PAPER INSERTION DETECTOR		1
503	1046556	SLIP B.O.F. DETECTOR ASS'Y		1
504	1051988	SCREW,SWITCH,I		2
505	1056083	INSULATOR,PAPER FEED MOTOR		6
506	1078850	JOURNAL/SLIP C/OVER GEAR(F150102010)		1
510	1109671	LEVER,PAPER DETECTOR		1
511	1109680	PARTITION PLATE		1
512	1109704	JOINT,TUBE		1
514	1232264	BELT,CARRIAGE,W		1
515	1109883	SPRING,CARRIAGE GUIDE SHAFT		2
517	1109886	SPRING,PAPER GUIDE CENTRE,CLOSE		1
519	1109906	SPRING,123		1
520	1110046	ABSORBER,HOLDER		2
521	1110047	ABSORBER,WASTE INK		1
522	1110056	TUBE,WASTE INK		1
523	1109506	LEVER,SLIP PAPER HOLD		1
524	1109656	ROLLER,SLIP PAPER HOLD		2
525	1233998	SLIP PAPER GUIDE LOWER ASS'Y,C		1
526	1234001	SLIP T.O.F. DETECTOR ASS'Y,B		1
527	1246101	PAPER GUIDE,UPPER,W		1
528	1234002	SLIP PAPER FEED ROLLER ASS'Y,B		1
529	1060936	SPACER,3X5X4,F/ZN		3
530	1232244	SLIDER,P/S CHANGE,W		1
531	1109513	PLATE,P/S CHANGE		1
535	1109657	CAM,P/S CHANGE		1
536	1109901	SPRING,P/S CHANGE		1
537	1109905	SPRING,FORM STOPPER LEVER		1
538	1110050	LEVER,FORM STOPPER		1

**NB: Part Number rationalisation – 10 digit part numbers in brackets are the old numbers for otherwise identical items**

## TM-J7500P(011)

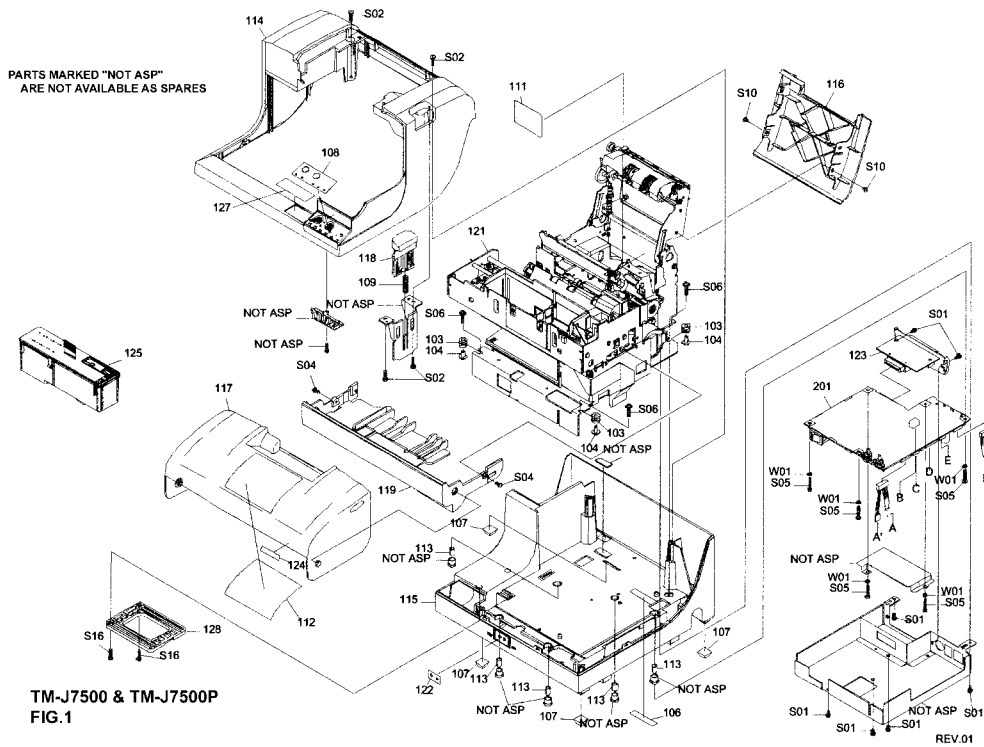
Page No.:2

REF	PART NO	DESCRIPTION	SPEC	QTY
539	1112071	LEVER,PLATEN SUB ASS'Y		1
540	1061962	ROLLER,PAPER HOLD		4
541	1109907	SPRING,LOCK LEVER		1
542	1109908	SPRING,HOLDER PLATEN		1
543	1112078	CARRIAGE,CUTTER SUB ASS'Y		1
544	1112080	TENSION FEED ROLLER SUB ASS'Y		1
545	1112082	HOLDER,NEEDLE INK SUB ASS'Y		1
546	1112086	PUMP ASS'Y		1
547	1233909	TUBE,FEEDER,B		2
548	1069430	SCREW,N.E.DETECTOR		2
549	2062308	PHOTO INTERRUPTER	BL,7V,8MA,	1
550	2082177	FPC,HEAD ASS'Y,J7500,ASP		1
551	1109621	FIXED BLADE		1
552	1214731	SPRING,SLIDER HOLD		1
553	1109636	GUIDE,CHANGE LEVER		1
554	1232246	LEVER,CARRIAGE LOCK		1
555	1232254	GEAR,SUB SLIP,IDLE		1
556	1232398	SPRING,FORM STOPPER		1
557	1232399	SPRING,SUB SLIP		2
558	1243137	ROLLER,SUB SLIP ASS'Y,ASP		1
559	1005767	SHAFT HOLDER,PRESS HEAD PLATE		1
E01	1004399	RETAINING RING	TYPE-E(2.5)	6
E02	1074017	RETAINING RING(B150300314)	TYPE-E(1.5),F/UC	5
E03	1074102	RETAINING RING(B150300411)	TYPE-E(2)	9
E04	1074104	RETAINING RING(B150300611)	TYPE-E(3)	3
N01	1074066	HEXAGON NUT(B070100311)	M3	3
S05	1073169	C.B.S. SCREW(B300204711)	M3X16	3
S07	1005019	C.B.P-TITE SCREW,3X8,F/ZN	M3X8 F/ZN	4
S08	1020896	C.B(P)SCREW	M2.5X8 F/ZN	2
S09	1027930	C.B.T-B SCREW,2X6,F/ZN		6
W01	1076340	O.W.,3,F/ZN		5
W02	1074071	PLAIN WASHER(B100150512)	M3X0.5X8	9
W03	1073976	PLAIN WASHER(B100150312)	6X0.2X10	1
S01	1074121	C.P.S.(O) SCREW(B302404211)	M3X6	7
S02	1003164	C.B.P-TITE SCREW,3X12,F/ZN		4
S04	1073165	C.B.S. SCREW(B300204211)	M3X6	2
S05	1073169	C.B.S. SCREW(B300204711)	M3X16	5
S06	1213776	C.P.T-B(P4)SCREW,3X16,F/ZN		3
S10	1046592	C.B.S-TITE F,3X4,F/ZN		2
S11	1076324	C.P.S.(O) SCREW(B302404311)	M3X8	3
S12	1005904	C.B.S-TITE SCREW,2X3,F/ZN		1
S13	1006854	C.B.S-TITE SCREW,2X4	2X4	1
S14	1027611	C.B.S.SCREW,2X6,F/ZN		1
S15	1073375	C.C.S. SCREW(B300304111)	M3X5	1
S16	1005019	C.B.P-TITE SCREW,3X8,F/ZN	M3X8 F/ZN	2
051	1080609	GREASE G-19 (40gm)[B701900001]	CR-910	1
052	1080618	GREASE G-31 (40gm)[B703100001]	TM-U300,U200	1
053	1080619	GREASE G-36 (40gm)(B703600001)	M-1541/M-820	1
054	1033657	GREASE G-45		1
055	1041443	GREASE;G-47	M-J8000	1
END				

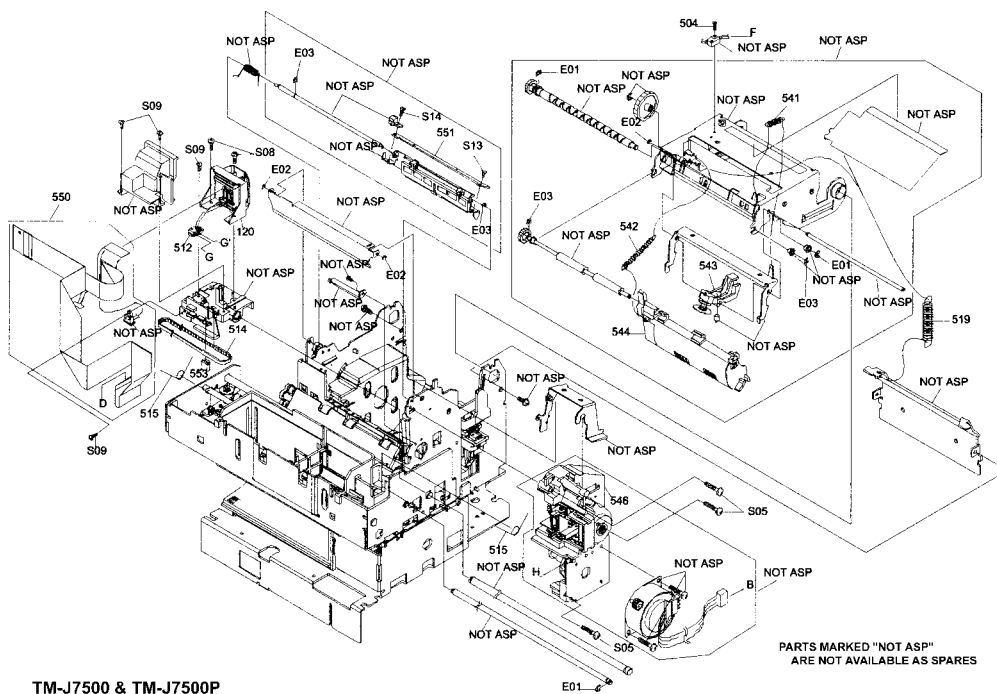
**NB: Part Number rationalisation – 10 digit part numbers in brackets are the old numbers for otherwise identical items**

## TM-J7500P(011)

Page No.:3



TM-J7500 & TM-J7500P  
FIG.1



TM-J7500 & TM-J7500P  
FIG.2

