



Service Manual

**Lexmark™ 3300 Series
All-In-One**

4479-XXX

- ***Table of contents***
- ***Start diagnostics***
- ***Safety and notices***
- ***Trademarks***
- ***Index***

LEXMARK™

Lexmark and Lexmark with diamond design are trademarks of Lexmark International, Inc., registered in the United States and/or other countries.

7. Parts catalog

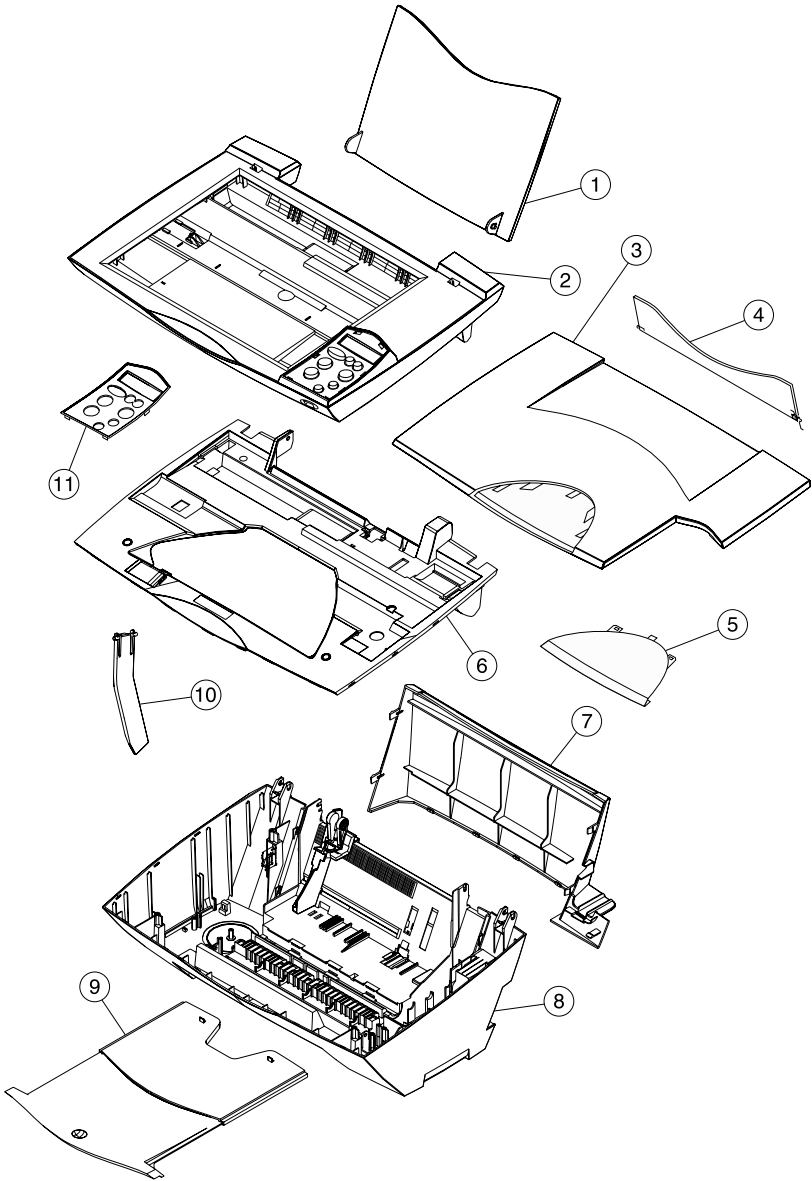
How to use this parts catalog

The following legend is used in the parts catalog:

Asm- Index	Part number	Units/ mach	Units/ FRU	Description
---------------	----------------	----------------	---------------	-------------

- **Asm-index:** Identifies the assembly and the item in the diagram. For example, 3-1 indicates assembly 3 and item number 1.
- **Part number:** Identifies the unique number that identifies this FRU.
- **Units/mach:** Refers to the number of units actually used in the machine or product.
- **Units/FRU:** Refers to the number of units packaged together and identified by the part number.
- **NS:** (Not shown) in the Asm-Index column indicates that the part is procurable but is not pictured in the illustration.
- **PP:** (Parts Packet) in the parts description column indicates the part is contained in a parts packet.

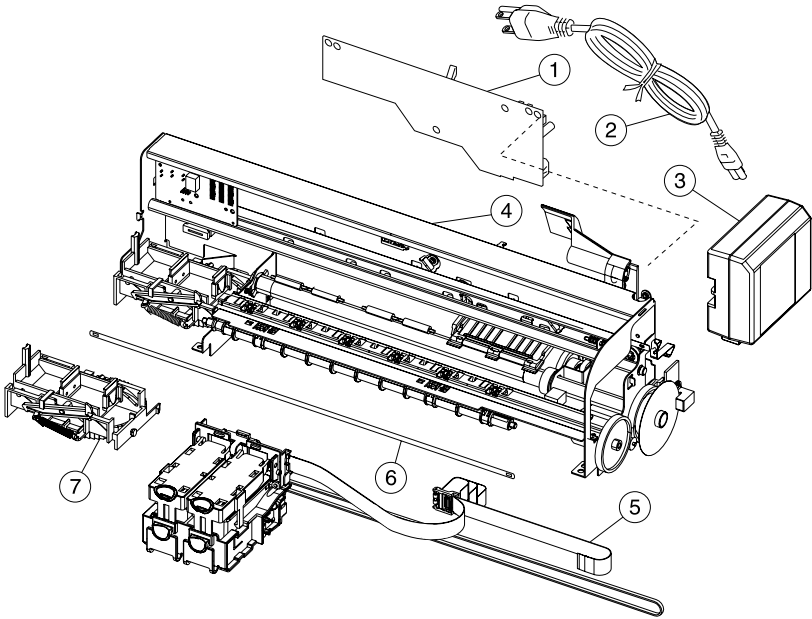
Assembly 1: Covers, scanner, and base



Assembly 1: Covers, scanner, and base

Asm-Index	Part number	Units/mach	Units/FRU	Description
1-1	56P3869	1	1	Support, paper - charcoal (001, A01)
2	56P3864	1	1	Module, scanner assembly - SBCS (001)
2	56P3865	1	1	Module, scanner assembly - DBCS (A01)
3	56P3863	1	1	Lid, scanner assembly (001, A01)
4	56P3882	1	1	Deflector, ASF guide with spring (001, A01)
5	56P3867	1	1	Bezel, scanner - clear 3350 (001, A01)
5	56P3868	1	1	Bezel, scanner - gray 3330 (001, A01)
6	56P3876	1	1	Cover, midframe assembly with media sensor (001, A01)
7	56P3877	1	1	Cover, rear (001, A01)
8	56P3871	1	1	Base, printer assembly (001, A01)
9	56P3878	1	1	Tray, exit with extender (001, A01)
10	56P3866	1	1	Support, scanner (001, A01)
11	56P3872	1	1	Cover, control panel - text 3350 (001)
11	56P3873	1	1	Cover, control panel - blank 3350 (001, A01)
11	56P3874	1	1	Cover, control panel - text 3330 (001)
11	56P3875	1	1	Cover, control panel - blank 3330 (001, A01)

Assembly 2: Engine, carrier, and electronics



Assembly 2: Engine, carrier, and electronics

Asm-Index	Part number	Units/mach	Units/FRU	Description
2-1	56P3861	1	1	Board, system (001, A01)
2	21B0106	1	1	Cord, power USA/Canada/Peru (001, A01)
3	21G0315	1	1	Supply, power 15W universal (001, A01)
4	56P3860	1	1	Engine, print assembly (001, A01)
5	56P2577	1	1	Carrier, assembly with cables and belt (001, A01)
6	56P3880	1	1	Strip, encoder (001, A01)
7	56P3881	1	1	Station, maintenance assembly (001, A01)
NS	21B0313	1	1	Cord, power Taiwan (001, A01)
NS	21B0316	1	1	Cord, power Japan (001, A01)
NS	21B0101	1	1	Cord, power UK/Hong Kong (001, A01)
NS	21B0102	1	1	Cord, power Europe/Singapore/Chile (001, A01)
NS	21B0103	1	1	Cord, power Argentina (001, A01)
NS	21B0104	1	1	Cord, power Australia/New Zealand (001, A01)
NS	21B0105	1	1	Cord, power South Africa (001, A01)
NS	21B0107	1	1	Cord, power Peoples Republic of China (001, A01)
NS	21B0108	1	1	Cord, power Korea (001, A01)
NS	21B0109	1	1	Cord, power India (001, A01)
NS	21B0305	1	1	Cord, power Brazil (001, A01)
NS	7373414	1	1	FRU package B/M includes: carton, cushion set, and sealing tape USA/Canada/LAD/EMEA (001)
NS	7374417	1	1	FRU package B/M includes: carton, cushion set, and sealing tape Asia Pacific (001, A01)