



## *Service Manual*

**Lexmark 4200 Series  
All-In-One  
4413-XXX**

---

- ***Table of Contents***
- ***Start Diagnostics***
- ***Safety and Notices***
- ***Trademarks***
- ***Index***

**LEXMARK™**

*Lexmark and Lexmark with diamond design are trademarks of Lexmark International, Inc., registered in the United States and/or other countries.*

---

## 7. Parts catalog

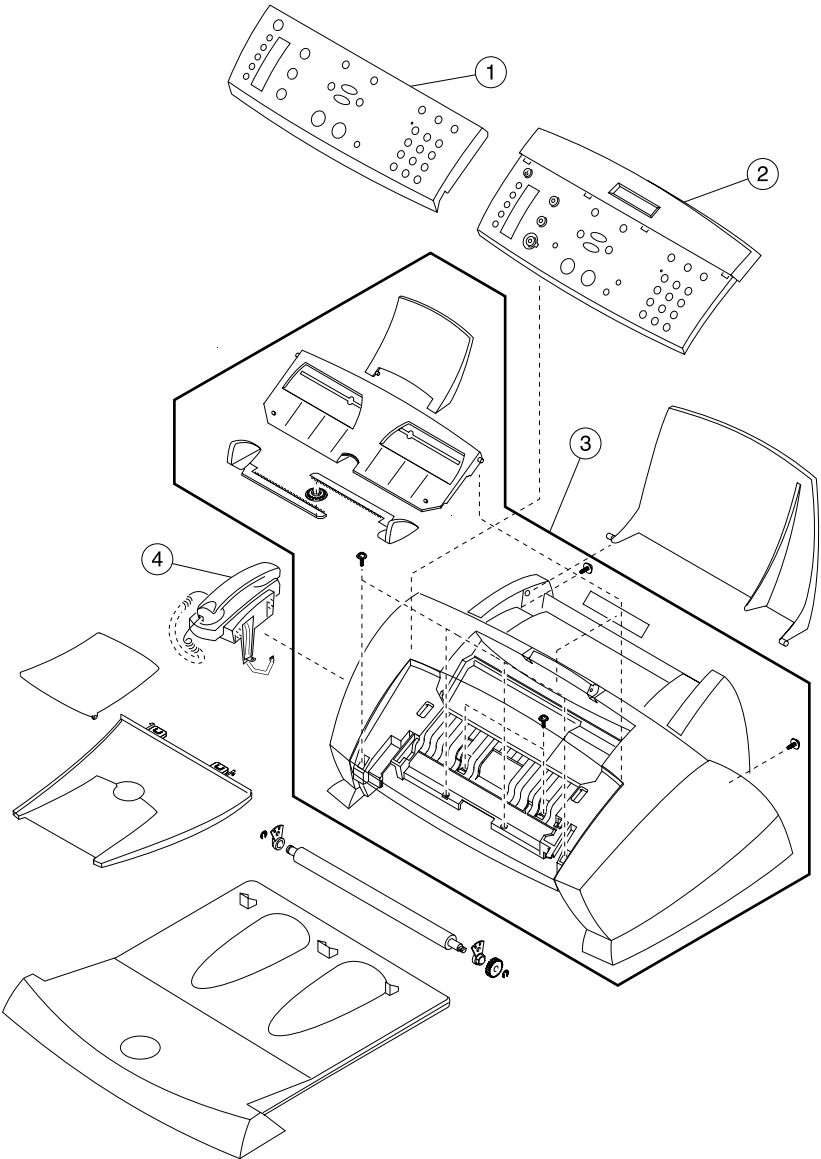
---

### How to use this parts catalog

---

- **SIMILAR ASSEMBLIES:** If two assemblies contain a majority of identical parts, they are shown on the same list. Common parts are shown by one index number. Parts peculiar to one or the other of the assemblies are listed separately and identified by description.
- **NS: (Not Shown)** in the Asm-Index column indicates that the part is procurable but is not pictured in the illustration.

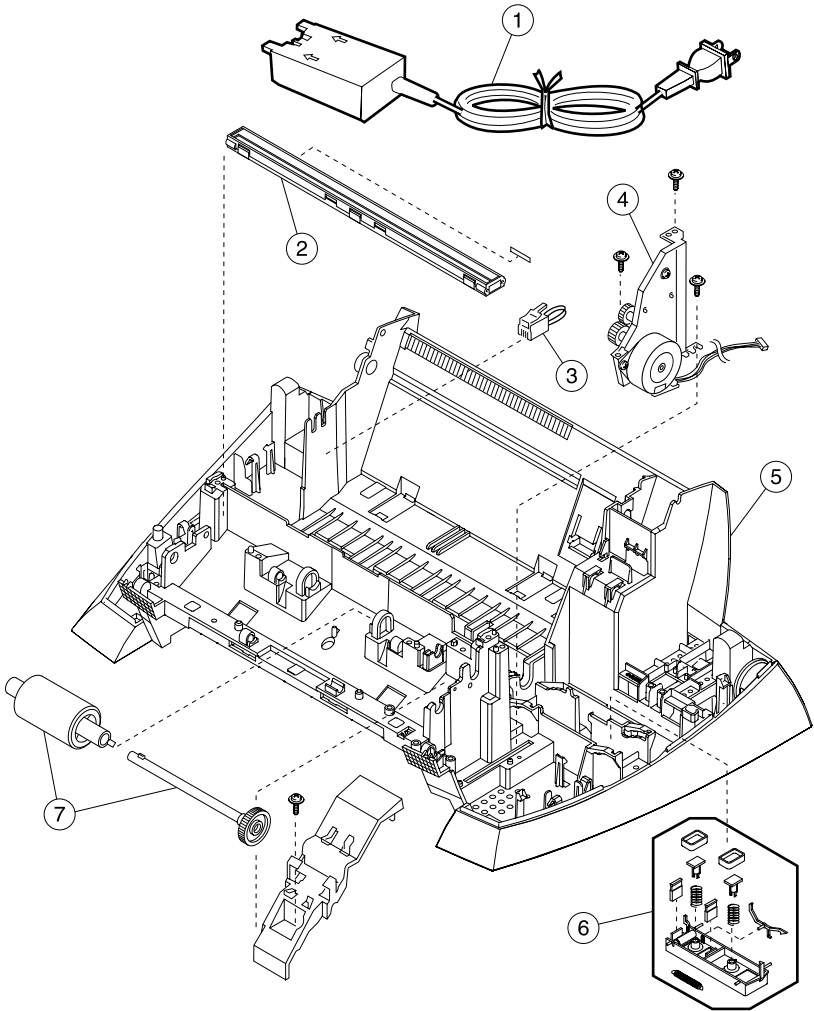
# Assembly 1: Main assembly



**Assembly 1: Main assembly**

<b>Asm-Index</b>	<b>Part Number</b>	<b>Units</b>	<b>Description</b>
1-1	56P2521	1	Control cover K01,AK1,K03,AK3 English, EMEA/APG
1	56P2522	1	Control cover K01,AK1,K03,AK3 Spanish
1	56P2523	1	Control cover K01,AK1,K03,AK3 French
1	56P2524	1	Control cover K01,AK1,K03,AK3 Brazil/Portuguese
1	56P2525	1	Control cover K01,AK1,K03,AK3 German
1	56P2526	1	Control cover K01,AK1,K03,AK3 Dutch
1	56P2527	1	Control cover K01,AK1,K03,AK3 Italian
1	56P2529	1	Control cover K01,AK1,K03,AK3 Russian
1	56P2530	1	Control cover K01,AK1,K03,AK3 Polish
1	56P2531	1	Control cover K01,AK1,K03,AK3 S/Chinese
1	56P2532	1	Control cover K01,AK1,K03,AK3 T/Chinese
1	56P2533	1	Control cover K01,AK1,K03,AK3 Japanese
1	56P2534	1	Control cover K01,AK1,K03,AK3 Greek
2	56P2449	1	Panel, control assembly K01,K03
2	56P2450	1	Panel, control assembly AK1,AK3
3	56P2445	1	Cover, top assembly K01,AK1,K03,AK3
4	56P2520	1	Phone handset/cradle K03,AK3

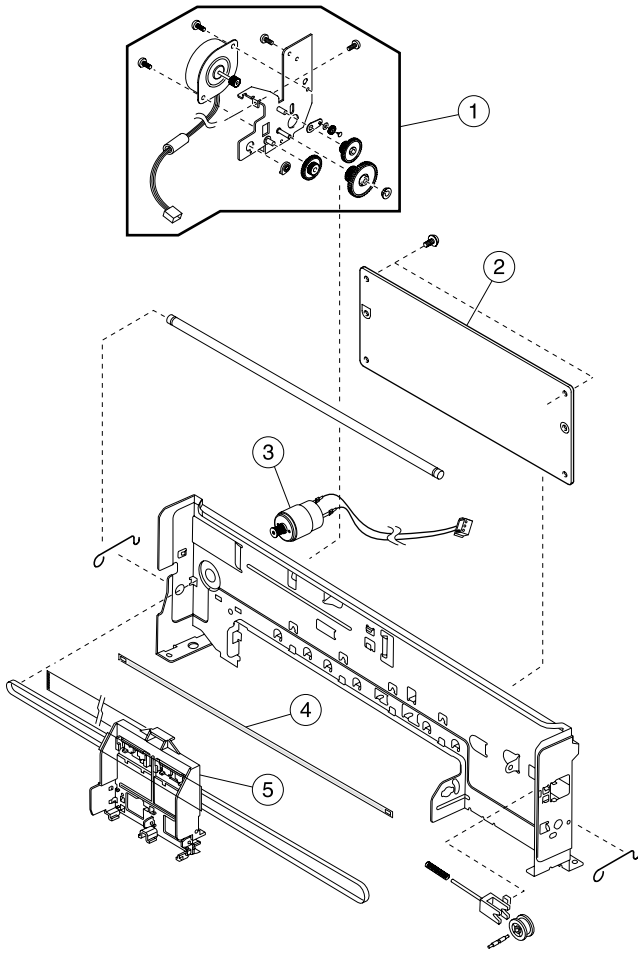
# Assembly 2: Base unit



**Assembly 2: Base unit**

<b>Asm-Index</b>	<b>Part Number</b>	<b>Units</b>	<b>Description</b>
2-1	13D0400	1	Power supply 120V K01,AK1,K03,AK3
1	13D0401	1	Power supply 220V K01,AK1,K03,AK3
1	13D0402	1	Power supply 100V 50/60 Hz K01,AK1,K03,AK3
1	13D0403	1	Power supply 100V K01,AK1,K03,AK3
2	56P2452	1	Contact, image sensor (CIS) K01,AK1,K03,AK3
3	56P2455	1	Phone adapter K01,AK1,K03,AK3
4	56P2453	1	Motor, scanner with gear assembly K01,AK1,K03,AK3
5	56P2451	1	Base assembly K01,AK1,K03,AK3
6	56P2443	1	Maintenance station assembly K01,AK1,K03,AK3
7	56P2442	1	Drive feed roller assembly K01,AK1,K03,AK3
NS	11B6074	1	Power line cord K01,K03 (USA)
NS	56P1040	1	Power line cord K01,K03 (Brazil)
NS	11B6078	1	Power line cord K01,K03 (Peru)
NS	11B6073	1	Power line cord AK1,AK3 (Hong Kong)
NS	11B6076	1	Power line cord K01,K03 (Australia)
NS	14D0632	1	Power line cord AK1,AK3 (PRC)
NS	14D0630	1	Power line cord K01/K03 (South Africa)

## Assembly 3: Engine



**Assembly 3: Engine**

<b>Asm-Index</b>	<b>Part Number</b>	<b>Units</b>	<b>Description</b>
3-1	56P2444	1	Motor, paper feed assembly with gears K01,AK1,K03,AK3
2	56P2447	1	System board K01,AK1
2	56P2448	1	System board K03,AK3
3	56P1168	1	Motor, carrier transport K01,AK1,K03,AK3
4	12G6968	1	Strip, encoder K01,AK1,K03,AK3
5	56P2454	1	Carrier assembly with belt K01,AK1,K03,AK3