

7. Exploded Views and Parts List

Contents

| | | | |
|-----------------------------------|------|--------------------------------------|------|
| 7.1 Main Exploded Views | 7-2 | 7.10 Scan Ass'y | 7-22 |
| 7.2 Cover Ass'y | 7-4 | 7.11 Platen Ass'y | 7-24 |
| 7.3 Middle Cover Ass'y | 7-6 | 7.12 Cover Platen Ass'y | 7-26 |
| 7.4 Front Cover Ass'y | 7-8 | 7.13 ADF Ass'y | 7-28 |
| 7.5 Rear Cover Ass'y | 7-10 | 7.14 OPE Unit | 7-31 |
| 7.6 Frame Assembly | 7-12 | 7.15 Cassette Ass'y | 7-33 |
| 7.7 Fuser Drive Ass'y | 7-16 | 7.16 Fuser Ass'y | 7-35 |
| 7.8 Main Drive Ass'y | 7-18 | 7.17 Duplex Unit(Optional) | 7-37 |
| 7.9 MP Ass'y | 7-20 | | |

DIGITAL LASER MFP

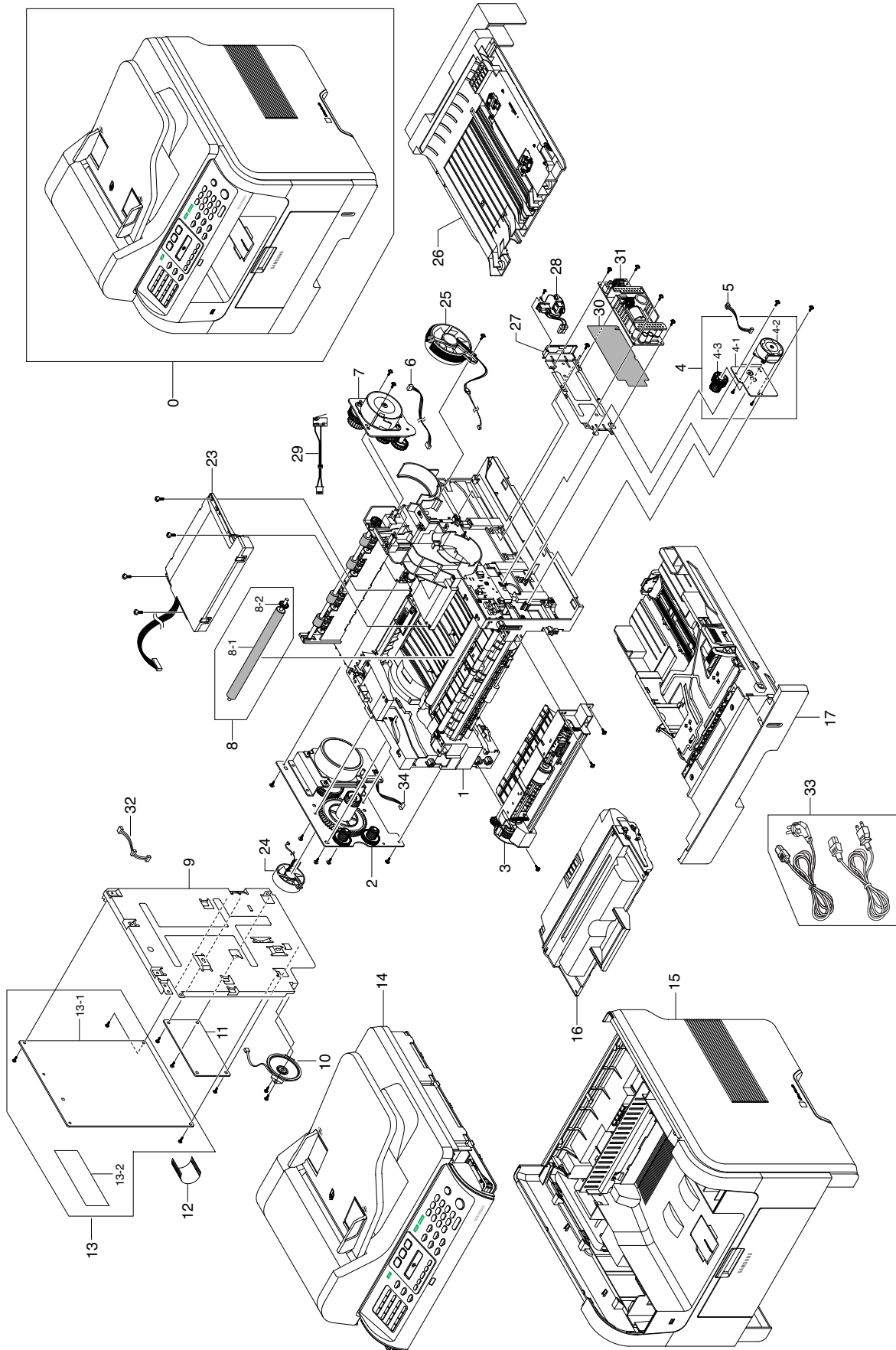


The keynote of Product

[Key Features]

- 28 ppm Print speed/20 cpm Copy Speed (Printing Speed: A4/28ppm,Letter/30ppm)
- 1200 dpi Print Resolution (Addressable)
- PCL6, PS3(SCX-5530FN)
- CPU: Chorusm
- Network Solution: Scan-to-Email, Scan-to-SMB, Scan-to-FTP
- 64MB System Memory/32MB DIMM(5530FN)
- 50 ADF / MP 50 Sheet
- 250 sh Paper Input / 150 sh Paper Output
- 33.6 Kbps Fax Modem (5530FN only)
- Duplex Print (5530FN only)
- Direct USB Connectivity 2nd Version (PDF Direct Printing) (5530FN only)
- Small Foot Print
- Toner: 4K(Initial)/ 8K(sales)

7.1 Main Exploded Views

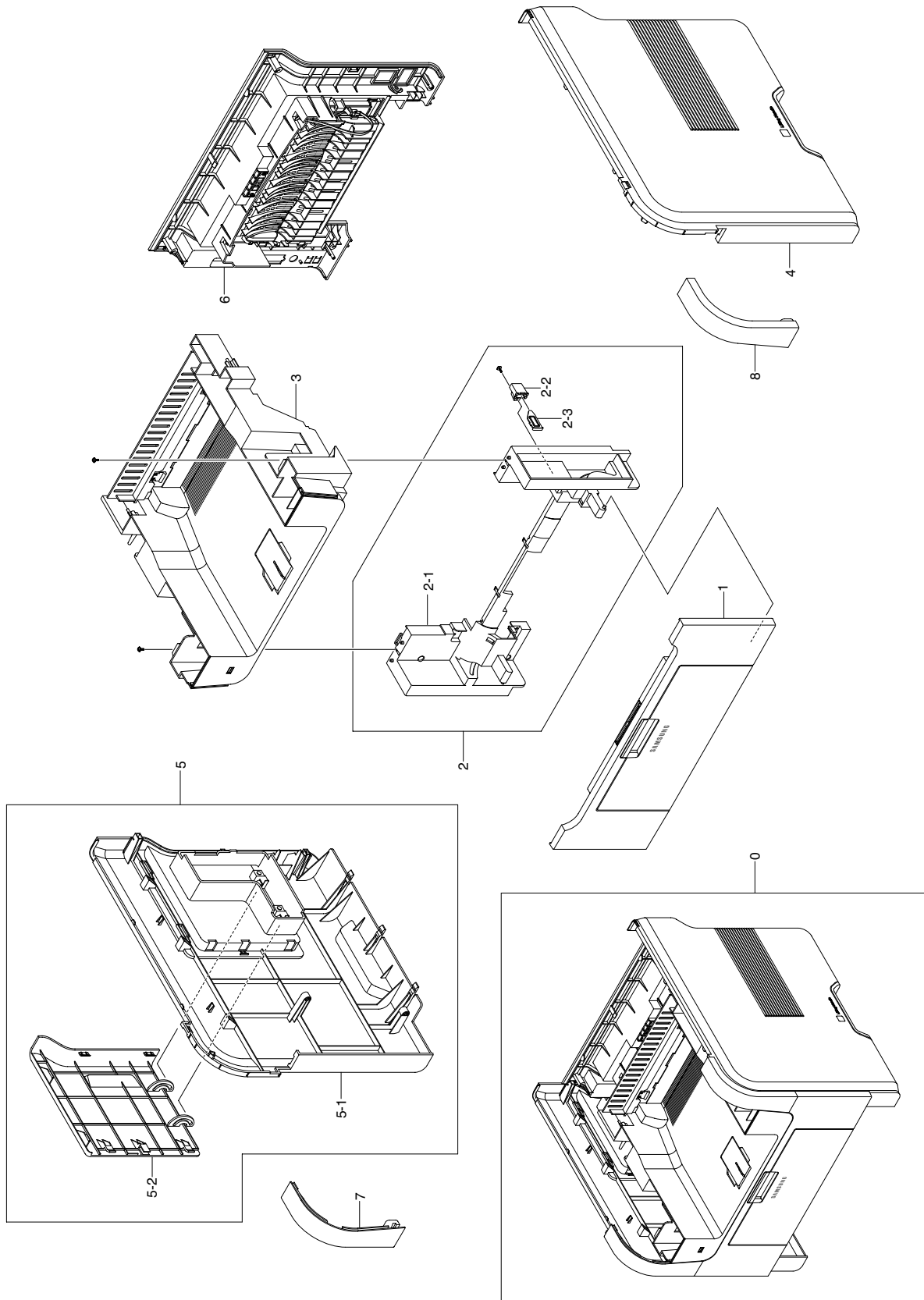


Main Parts List

SA : SERVICE AVAILABLE, SNA : SERVICE not AVAILABLE

| Drawer# | SEC Code | Description | QT'y | Service |
|-------------|-------------|-----------------------|------|---------|
| 7.1-0 | - | SET | | |
| 7.1-1 | JC96-03790A | ELA HOU-FRAME 110V | 1 | SA |
| 7.1-1 | JC96-03789A | ELA HOU-FRAME 220V | 1 | SA |
| 7.1-2 | JC96-03761A | ELA UNIT-MAIN DRIVE | 1 | SNA |
| 7.1-3 | JC96-03837A | ELA HOU-MPF | 1 | SA |
| 7.1-4 | JC96-03762A | ELA UNIT-DUPLEX DRIVE | 1 | SA |
| 7.1-4-1 | JC61-01599A | BRACKET-P-GEAR DUP | 1 | SNA |
| 7.1-4-2 | JC31-00048A | MOTOR STEP-DUPLEX | 1 | SA |
| 7.1-4-3 | JC66-01159A | GEAR-DUP RDCN 45/19 | 1 | SNA |
| 7.1-5 | JC39-00530A | CBF HARNESS-DPX MTR | 1 | SA |
| 7.1-6 | JC39-00538A | CBF HARNESS-ADF CLUT1 | 1 | SA |
| 7.1-7 | JC96-03866A | ELA HOU-FUSER DRIVE | 1 | SA |
| 7.1-8 | JC97-02652A | MEA-TRANSFER ROLLER | 1 | SA |
| 7.1-8-1 | JC66-01181A | ROLLER-TRANSFER | 1 | SA |
| 7.1-8-2 | JC66-00395A | GEAR-TRANSFER | 1 | SA |
| 7.1-9 | JC63-00912A | SHIELD-P-CONTROLLER | 1 | SA |
| 7.1-10 | 3001-001293 | SPEAKER | 1 | SA |
| 7.1-11 | JC92-01746A | PBA SUB-MODEM | 1 | SA |
| 7.1-12 | JC39-00518A | CBF HARNESS-ENGINE | 1 | SA |
| 7.1-13 | JC96-03970A | ELA HOU-MAIN RAM DIMM | 1 | SA |
| 7.1-13-1 | JC92-01743A | PBA MAIN-CONTROLLER | 1 | SA |
| 7.1-13-2 | JC92-01836A | PBA SUB-SDRAM | 1 | SA |
| 7.1-14 | JC96-03773A | ELA HOU-ADF | 1 | SA |
| 7.1-15 | JC97-02391A | MEA-COVER | 1 | SNA |
| 7.1-16 | JC96-03795A | ELA UNIT-DEVE INITIAL | 1 | SNA |
| 7.1-17 | JC97-02413A | MEA UNIT-CASSETTE | 1 | SA |
| 7.1-23 | JC59-00027A | UNIT-LSU | 1 | SA |
| 7.1-24 | JC31-00025A | FAN-DC | 1 | SA |
| 7.1-25 | JC31-00025B | FAN-DC | 1 | SA |
| 7.1-26 | JC97-02393A | MEA UNIT-DUPLEX | 1 | SA |
| 7.1-27 | JC63-00913A | SHIELD-P-SMPS | 1 | SNA |
| 7.1-28 | JC39-00523A | CBF HARNESS-AC INLET | 1 | SA |
| 7.1-29 | JC39-00524A | CBF HARNESS-LSU SW | 1 | SA |
| 7.1-30 | JC63-00960A | SHEET-INSULATOR SMPS | 1 | SNA |
| 7.1-31 | JC44-00097A | SMPS-PSP TYPE3 V1 | 1 | SA |
| 7.1-31 | JC44-00090A | SMPS-PSP TYPE3 V2C | 1 | SA |
| 7.1-32 | JC39-00528A | CBF HARNESS-PAPER EMP | 1 | SA |
| 7.1-33 | - | CBF-POWER CORD | 1 | SA |
| Replacement | - | BOX(P)-MAIN | 1 | SA |

7.2 Cover Ass'y

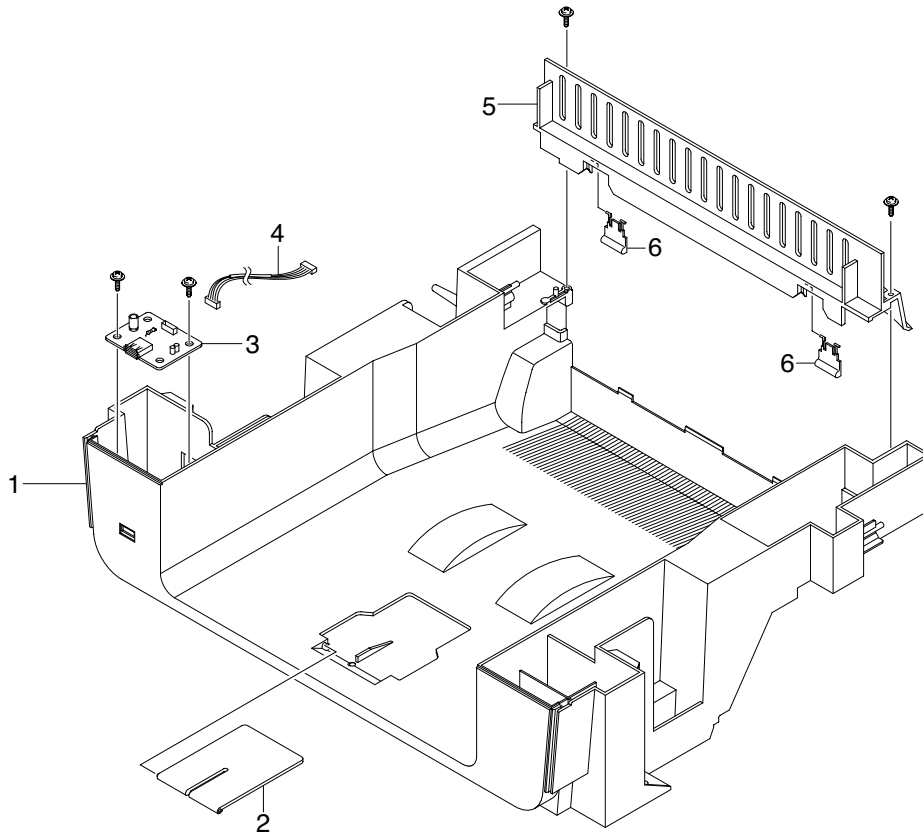
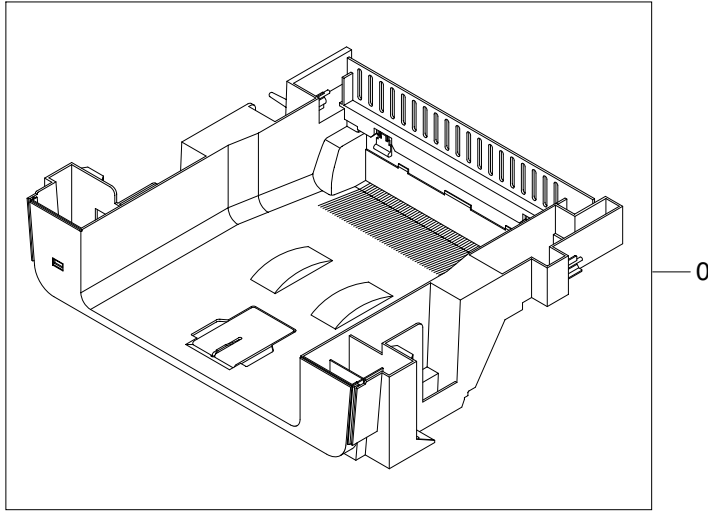


Cover Ass'y Parts List

SA : SERVICE AVAILABLE, SNA : SERVICE not AVAILABLE

| Drawer# | SEC Code | Description | QT'y | Service |
|---------|-------------|---------------------|------|---------|
| 7.2-0 | JC97-02391A | MEA-COVER | 1 | SNA |
| 7.2-1 | JC97-02420A | MEA-COVER FRONT | 1 | SA |
| 7.2-2 | JC97-02419A | MEA-COVER MID FRONT | 1 | SA |
| 7.2-2-1 | JC63-00935A | COVER-M MID FRONT | 1 | SNA |
| 7.2-2-2 | JC67-00068C | CAP-M SUB ACTUATOR | 1 | SNA |
| 7.2-2-3 | JC72-01339A | PMO-M-SUB ACTUATOR | 1 | SNA |
| 7.2-3 | JC96-03793A | ELA HOU-COVER MID | 1 | SA |
| 7.2-4 | JC63-00928A | COVER-M SIDE R | 1 | SA |
| 7.2-5 | JC97-02417A | MEA-COVER SIDE L | 1 | SA |
| 7.2-5-1 | JC63-00929A | COVER-M SIDE L | 1 | SNA |
| 7.2-5-2 | JC63-00930A | COVER-M DIMM | 1 | SNA |
| 7.2-6 | JC97-02418A | MEA-COVER REAR | 1 | SA |
| 7.2-7 | JC63-00934A | COVER-M LEFT UPPER | 1 | SA |
| 7.2-8 | JC63-00933A | COVER-M RIGHT UPPER | 1 | SA |

7.3 Middle Cover Ass'y

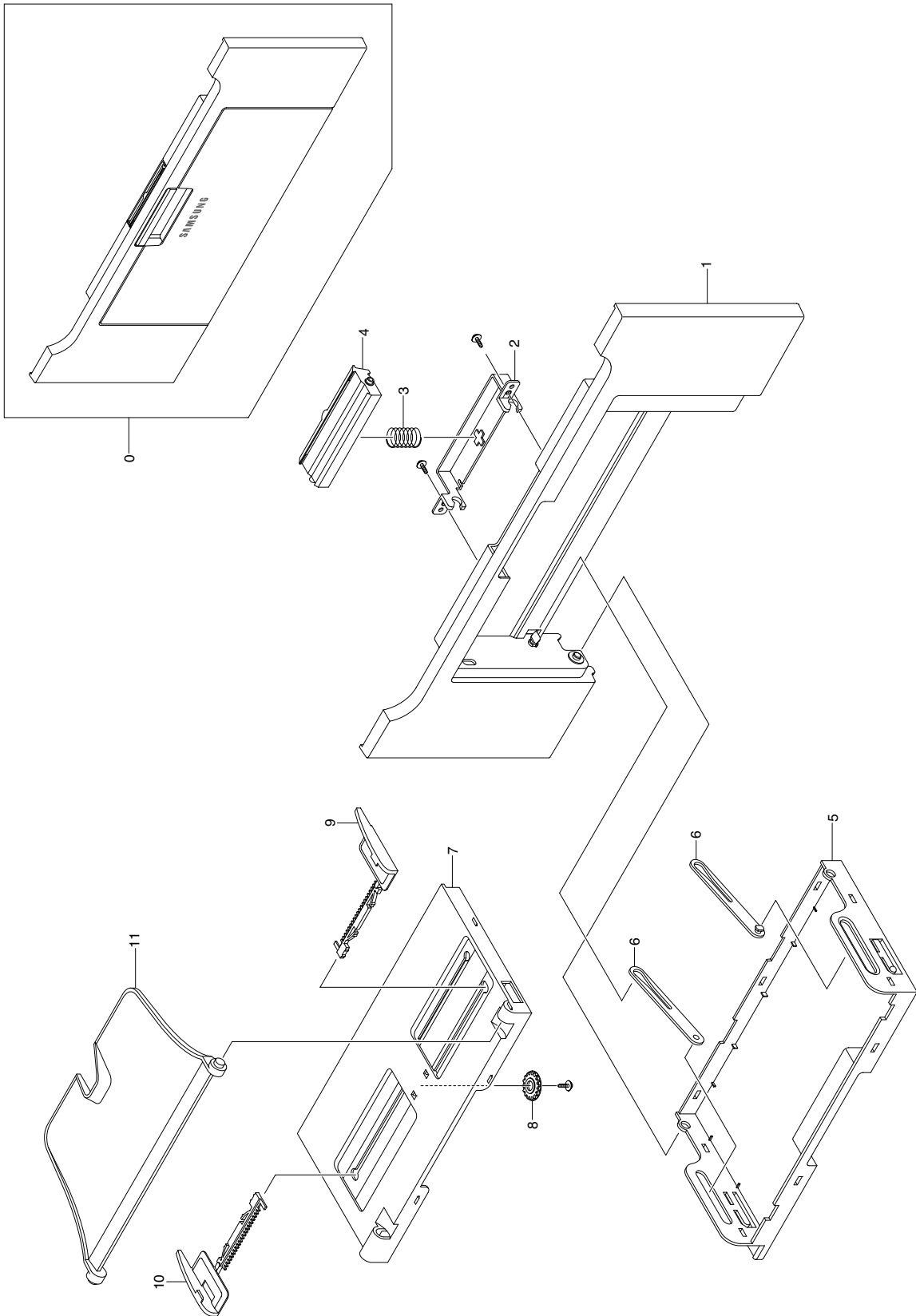


Middle Cover Ass'y Parts List

SA : SERVICE AVAILABLE, SNA : SERVICE not AVAILABLE

| Drawer# | SEC Code | Description | QT'y | Service |
|---------|-------------|----------------------|------|---------|
| 7.3-0 | JC96-03793A | ELA HOU-COVER MID | 1 | SA |
| 7.3-1 | JC63-00927A | COVER-M MIDDLE | 1 | SA |
| 7.3-2 | JC63-00944A | COVER-M STACKER RX | 1 | SA |
| 7.3-3 | JC92-01636A | PBA SUB-USB HOST | 1 | SA |
| 7.3-4 | JC39-00397A | CBF HARNESS-USB HOST | 1 | SA |
| 7.3-5 | JC63-00938A | COVER-M REAR UPPER | 1 | SA |
| 7.3-6 | JC72-01001A | PMO-SUB STACKER | 2 | SA |

7.4 Front Cover Ass'y

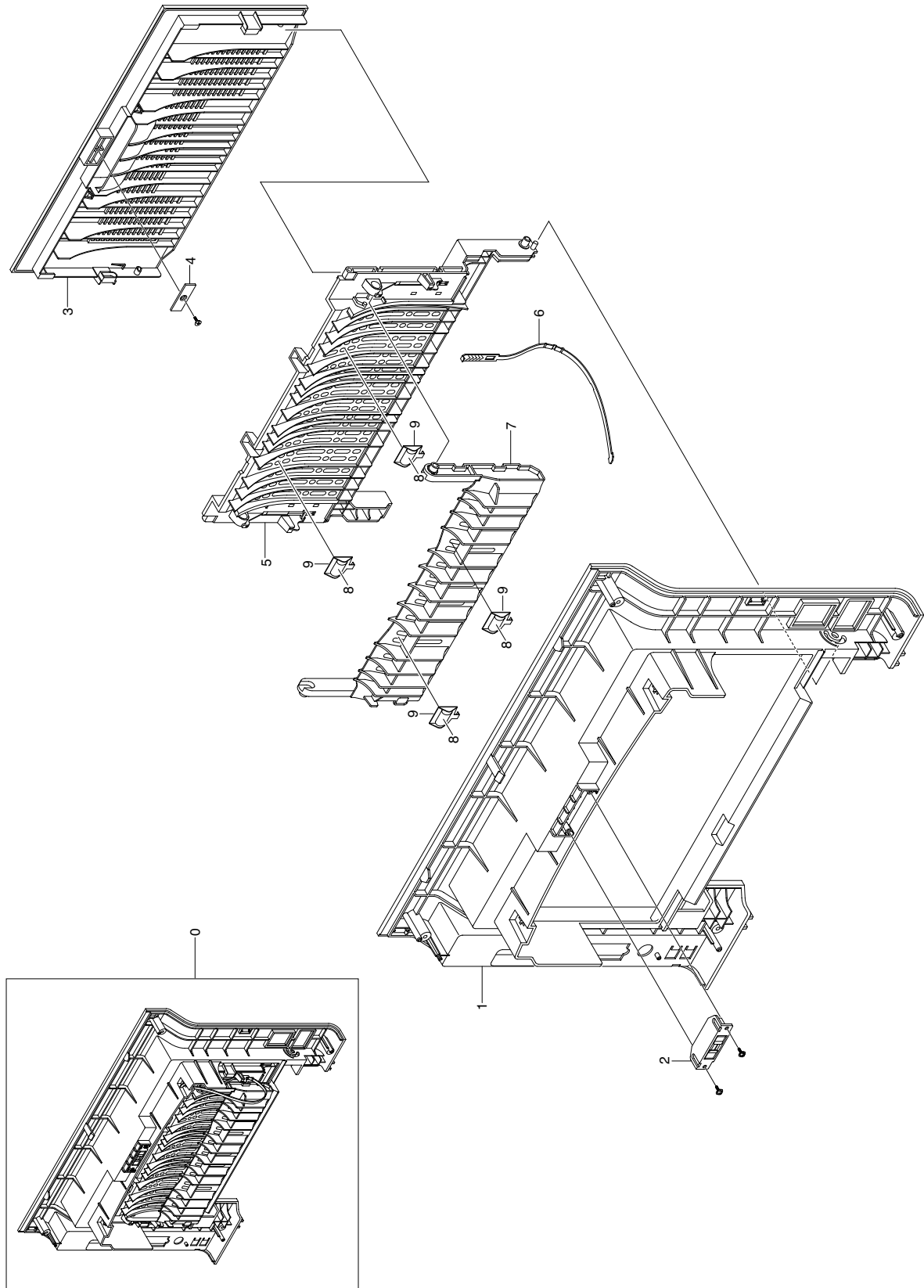


Front Cover Ass'y Parts List

SA : SERVICE AVAILABLE, SNA : SERVICE not AVAILABLE

| Drawer# | SEC Code | Description | QT'y | Service |
|---------|-------------|------------------------|------|---------|
| 7.4-0 | JC97-02420A | MEA-COVER FRONT | 1 | SA |
| 7.4-1 | JC63-00932A | COVER-M FRONT | 1 | SNA |
| 7.4-2 | JC61-00953D | HOLDER-M LOCKER | 1 | SA |
| 7.4-3 | JG61-70549A | SPRING ETC-CIS(C2) | 1 | SA |
| 7.4-4 | JC64-00154C | KNOB-M LOCKER | 1 | SA |
| 7.4-5 | JC63-00447E | TRAY-M-ASF FOLDER | 1 | SA |
| 7.4-6 | JC63-00444A | TRAY-M-LINK MP | 2 | SA |
| 7.4-7 | JC63-00945A | TRAY-M-ASF INPUT | 1 | SNA |
| 7.4-8 | JG66-40003A | GEAR-PINION | 1 | SA |
| 7.4-9 | JC70-00479D | ADJUST-M MP R | 1 | SNA |
| 7.4-10 | JC70-00478D | ADJUST-M MP L | 1 | SNA |
| 7.4-11 | JC63-00446E | TRAY-M-ASF INPUT UPPER | 1 | SA |

7.5 Rear Cover Ass'y

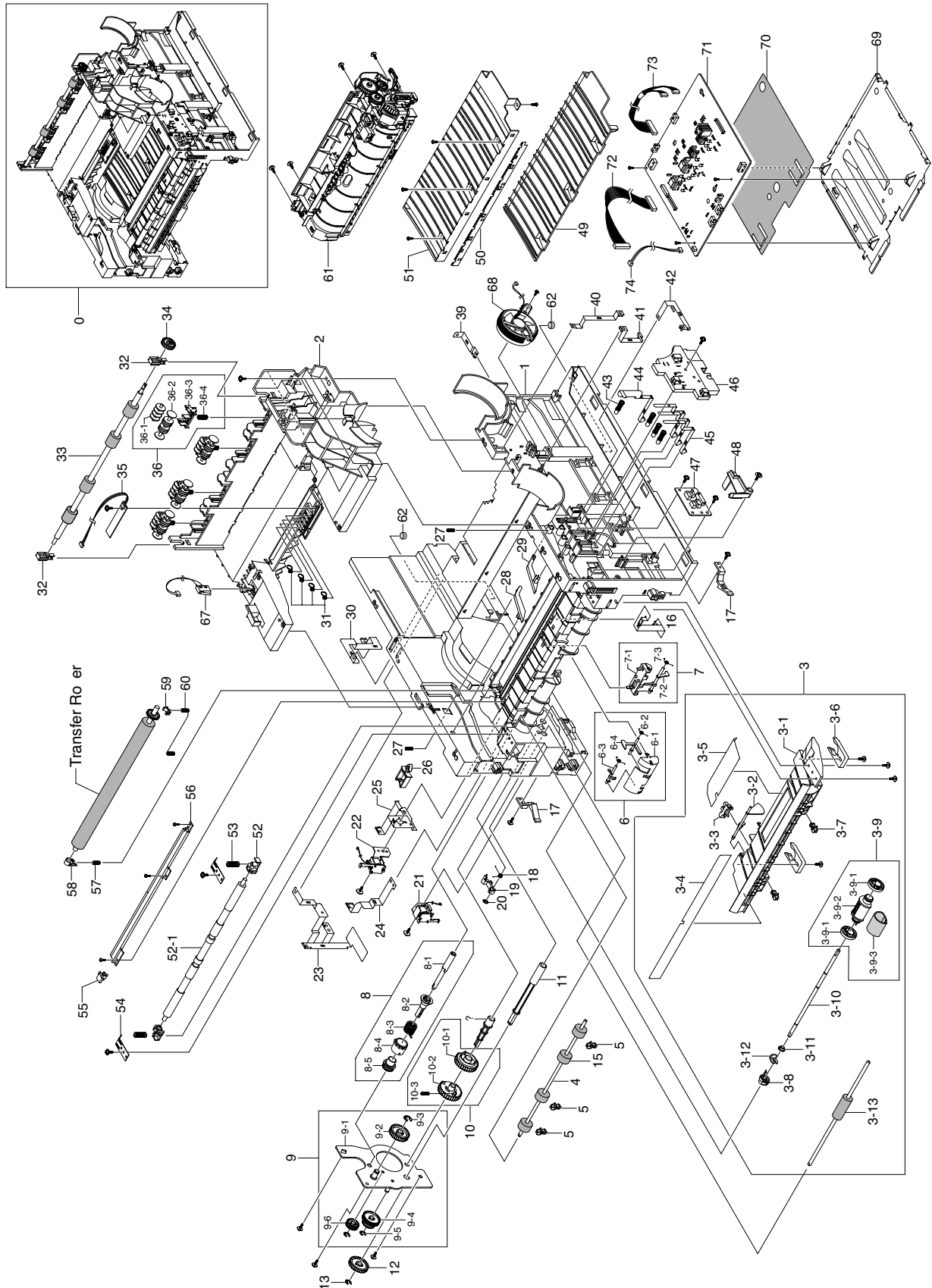


Rear Cover Ass'y Parts List

SA : SERVICE AVAILABLE, SNA : SERVICE not AVAILABLE

| Drawer# | SEC Code | Description | QT'y | Service |
|---------|-------------|----------------------|------|---------|
| 7.5-0 | JC97-02418A | MEA-COVER REAR | 1 | SA |
| 7.5-1 | JC63-00931A | COVER-M REAR | 1 | SNA |
| 7.5-2 | JC61-00961A | MAGNET-CATCH DELL | 1 | SNA |
| 7.5-3 | JC63-00936A | COVER-M FACE UP | 1 | SNA |
| 7.5-4 | JC61-00962A | PLATE-MAGNET CATCH | 1 | SNA |
| 7.5-5 | JC63-00937A | COVER-M STACKER REAR | 1 | SNA |
| 7.5-6 | JC61-01653A | STOPPER-M-STRAP | 1 | SNA |
| 7.5-7 | JC61-01583A | GUIDE-OUTPUT FUSER | 1 | SNA |
| 7.5-8 | JC61-00785A | HOLDER-M-IDLE ROLLER | 4 | SNA |
| 7.5-9 | JC72-40981A | PMO-ROLLER UPPER DP | 4 | SNA |

7.6 Frame Assembly



Frame Assembly Parts List

SA : SERVICE AVAILABLE, SNA : SERVICE not AVAILABLE

| Drawer# | SEC Code | Description | QT'y | Service |
|-----------|-------------|-----------------------|------|---------|
| 7.6-0 | JC96-03790A | ELA HOU-FRAME 110V | 1 | SA |
| 7.6-0 | JC96-03789A | ELA HOU-FRAME 220V | 1 | SA |
| 7.6-1 | JC61-01620A | FRAME-M BASE | 1 | SNA |
| 7.6-2 | JC61-01621A | FRAME-M EXIT | 1 | SNA |
| 7.6-3 | JC96-03829A | ELA HOU-GUIDE DUP F | 1 | SA |
| 7.6-3-1 | JC61-01600A | GUIDE-M FRONT DUPLEX | 1 | SNA |
| 7.6-3-2 | JC66-01187A | LEVER-ACTUATOR EMPTY | 1 | SA |
| 7.6-3-3 | 0604-001154 | PHOTO-INTERRUPTER | 1 | SA |
| 7.6-3-4 | JC63-01095A | SHEET-GUIDE DUP OUT | 1 | SNA |
| 7.6-3-5 | JC63-00992A | SHEET-GUIDE FRONT DU | 1 | SNA |
| 7.6-3-6 | JC66-01170A | CAM-SHAFT PICK UP | 2 | SNA |
| 7.6-3-7 | JC72-00382B | PMO-BUSHING FEED | 2 | SA |
| 7.6-3-8 | JC61-01367A | FIXER-M E RING 4PI | 1 | SNA |
| 7.6-3-9 | JC97-02441A | MEA-ROLLER PICK UP | 1 | SA |
| 7.6-3-9-1 | JC66-01169A | ROLLER-IDLE PICK UP | 2 | SA |
| 7.6-3-9-2 | JC61-01601A | HOUSING-M PICK UP | 1 | SA |
| 7.6-3-9-3 | JC66-01168A | ROLLER-PICK UP | 1 | SA |
| 7.6-3-10 | JC66-01171A | SHAFT-PICK UP | 1 | SNA |
| 7.6-3-11 | JC72-41364A | PMO-BUSHING P/U,MP | 1 | SA |
| 7.6-3-12 | JC66-00050A | CAM-CATCH | 1 | SA |
| 7.6-3-13 | JC66-01173A | ROLLER-FEED | 1 | SA |
| 7.6-4 | JC66-00527A | SHAFT-FEED IDLE | 1 | SA |
| 7.6-5 | JC61-00585A | BUSH-M-FEED IDLE | 3 | SA |
| 7.6-6 | Not ssign | FEED1 ASS'Y | 1 | SNA |
| 7.6-6-1 | JC61-01619A | HOLDER-M ACT REGI | 1 | SA |
| 7.6-6-2 | 6107-001164 | SPRING-TS | 2 | SA |
| 7.6-6-3 | JC66-01189A | LEVER-M ACTUATOR FEED | 1 | SA |
| 7.6-6-4 | JC66-01191A | LEVER-M ACTUATOR REGI | 1 | SA |
| 7.6-7 | Not ssign | FEED2 ASS'Y | 1 | SNA |
| 7.6-7-1 | JC61-01618A | HOLDER-M ACT FEED | 1 | SA |
| 7.6-7-2 | JC66-01190A | LEVER-M ACT DUP OUT | 1 | SA |
| 7.6-7-3 | 6107-001164 | SPRING-TS | 1 | SA |
| 7.6-8 | JC97-01788A | MEA UNIT-CLUTCH | 1 | SA |
| 7.6-8-1 | JC66-00398A | SHAFT-FEED | 1 | SA |
| 7.6-8-2 | JC72-00981A | PMO-HUB CLUTCH | 1 | SNA |
| 7.6-8-3 | 6107-001171 | SPRING-TS | 1 | SA |
| 7.6-8-3 | 6107-001156 | SPRING-TS | 1 | SA |
| 7.6-8-4 | JC72-00978A | PMO-COLLAR SPRING | 1 | SA |
| 7.6-8-5 | JC66-00393A | GEAR-FEED 1 | 1 | SA |
| 7.6-9 | JC97-02394A | MEA UNIT-BRACKET FEED | 1 | SNA |
| 7.6-9-1 | JC61-01582A | BRACKET-P-FEED | 1 | SNA |
| 7.6-9-2 | JC66-01166A | GEAR-IDLE Z29 HELICAL | 1 | SNA |
| 7.6-9-3 | 6044-000231 | RING-E | 1 | SA |
| 7.6-9-4 | JC66-01164A | GEAR-RETARD 39/19 | 1 | SNA |

Frame Assembly Parts List

SA : SERVICE AVAILABLE, SNA : SERVICE not AVAILABLE

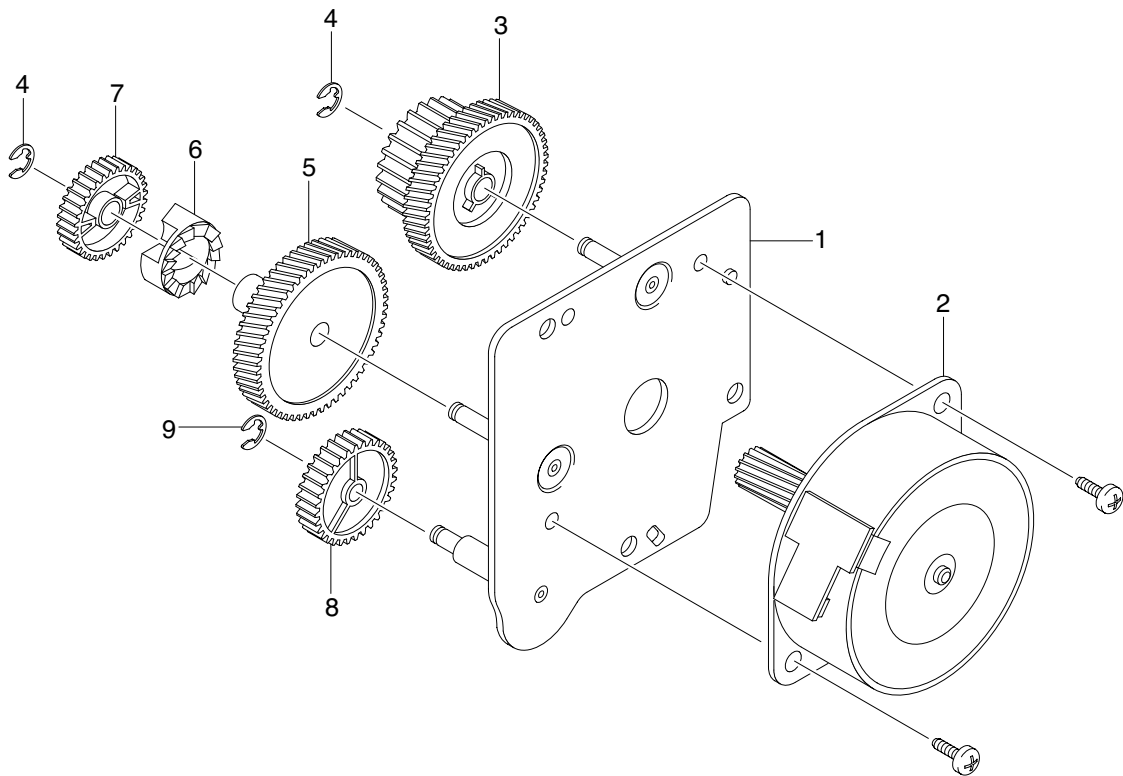
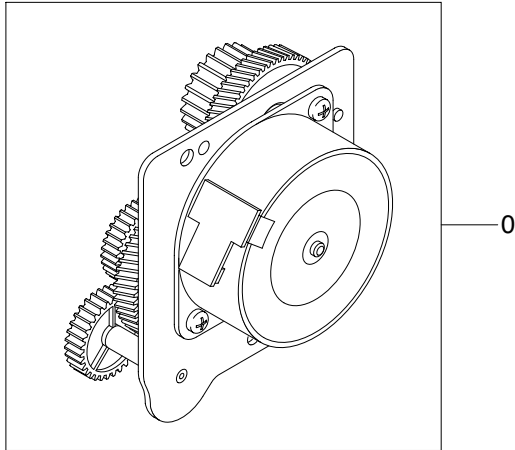
| Drawer# | SEC Code | Description | QT'y | Service |
|----------|-------------|----------------------------|------|---------|
| 7.6-9-5 | 6044-000125 | RING-E | 2 | SA |
| 7.6-9-6 | JC66-00484A | GEAR-T2 IDEL Z27 | 1 | SA |
| 7.6-10 | JC97-02648A | MEA UNIT-GEAR PICK UP | 1 | SA |
| 7.6-10-1 | JC66-01183A | GEAR-PICK UP INNER | 1 | SNA |
| 7.6-10-2 | JC66-01184A | GEAR-PICK UP OUTER | 1 | SA |
| 7.6-10-3 | 6107-001167 | SPRING-CS | 1 | SNA |
| 7.6-11 | JC66-01160A | SHAFT-M FEED2 | 1 | SNA |
| 7.6-12 | JC66-01165A | GEAR-FEED2 Z27 | 1 | SNA |
| 7.6-13 | 6107-001237 | SPRING-ES | 1 | SNA |
| 7.6-15 | JC66-00526A | ROLLER-FEED ROLLER 1 | 1 | SA |
| 7.6-16 | JC63-00918A | GROUND-P-EARTH TR | 1 | SNA |
| 7.6-17 | JC72-00983A | PMO-LOCKER CST | 2 | SA |
| 7.6-18 | 6107-001170 | SPRING-TS | 1 | SA |
| 7.6-19 | JC66-00377A | CAM-M-PICK UP | 1 | SA |
| 7.6-20 | 6044-000001 | RING-CS | 1 | SNA |
| 7.6-21 | JC33-00010A | SOLENOID-HB (MANUAL) | 1 | SA |
| 7.6-22 | JC33-00014A | SOLENOID-FEED ROCKY2 | 1 | SA |
| 7.6-23 | JC63-00917A | GROUND-P-DRIVE | 1 | SNA |
| 7.6-24 | JC63-00923A | GROUND-P-PUSH BUSHING | 1 | SNA |
| 7.6-25 | JC63-00922A | GROUND-P-DRIVE2 | 1 | SNA |
| 7.6-26 | 6502-001093 | CABLE CLAMP | 1 | SNA |
| 7.6-27 | JC61-70932A | SPRING ETC-GUIDE DEVE | 1 | SA |
| 7.6-28 | JC72-00984A | PMO-PLATE GUIDE DEVE L | 1 | SA |
| 7.6-29 | JC72-00985A | PMO-PLATE GUIDE DEVE R | 1 | SA |
| 7.6-30 | JC63-00926A | GROUND-P-SHIELD | 1 | SNA |
| 7.6-31 | JC65-00019A | TERMINAL-P CRUM | 4 | SA |
| 7.6-32 | JC61-00829A | HOLDER-BEARING EXIT F/DOWN | 2 | SA |
| 7.6-33 | JC97-01034A | MEA RACK-EXIT ROLLER | 1 | SA |
| 7.6-34 | JC66-01196A | ROLLER-EXIT F/DOWN | 1 | SNA |
| 7.6-35 | JC92-01829A | PBA SUB-TERMINAL | 1 | SA |
| 7.6-36 | JC97-01034A | MEA RACK-EXIT ROLLER | 4 | SA |
| 7.6-36-1 | JC72-41007A | PMO-ROLLER FD F | 1 | SNA |
| 7.6-36-2 | JC72-41008A | PMO-ROLLER FD R | 1 | SNA |
| 7.6-36-3 | JC72-41006A | PMO-HOLDER EXIT ROLL | 1 | SNA |
| 7.6-36-4 | JC61-70911A | SPRING ETC-EXIT ROLL FD | 1 | SNA |
| 7.6-39 | JC63-00920A | GROUND-P-FUSER | 1 | SNA |
| 7.6-40 | JC63-00925A | GROUND-P-MOTOR FUSER | 1 | SNA |
| 7.6-41 | JC63-00924A | GROUND-P-SHIELD SMPS | 1 | SNA |
| 7.6-42 | JC63-00921A | GROUND-P-GUIDE TR | 1 | SNA |
| 7.6-43 | JC75-00049A | MEC-TERMINAL | 4 | SA |
| 7.6-43-1 | JC61-00035A | SPRING ETC-HV APOLLO | 1 | SNA |
| 7.6-43-2 | JC70-00050A | IPR-TERMINAL | 1 | SNA |
| 7.6-44 | JC65-00014A | TERMINAL-P-HV CR | 1 | SNA |
| 7.6-45 | JC70-00312A | IPR-P-TERMINAL CON | 4 | SA |

Frame Assembly Parts List

SA : SERVICE AVAILABLE, SNA : SERVICE not AVAILABLE

| Drawer# | SEC Code | Description | QT'y | Service |
|----------|-------------|-----------------------|------|---------|
| 7.6-46 | JC61-01584A | HOUSING-M TERMINAL | 1 | SNA |
| 7.6-47 | JC92-01828A | PBA SUB-CONNECTION | 1 | SA |
| 7.6-48 | JC72-00974A | PMO-ACTUATOR CVR OPEN | 1 | SA |
| 7.6-49 | JC61-01746A | GUIDE-TR RIB | 1 | SNA |
| 7.6-50 | JC61-00604B | PLATE-E SAW | 1 | SA |
| 7.6-51 | JC61-00607A | GUIDE-P-TR | 1 | SA |
| 7.6-52 | JC61-00585A | BUSH-M-FEED IDLE | 2 | SNA |
| 7.6-52-1 | JC66-00527A | SHAFT-FEED IDLE | 1 | SNA |
| 7.6-53 | JC61-70958A | SPRING ETC-TR | 2 | SNA |
| 7.6-54 | JC61-00914A | PLATE-P-PUSH BUSHING | 2 | SA |
| 7.6-53 | JC61-70958A | SPRING ETC-TR | 1 | SA |
| 7.6-54 | JC61-00914A | PLATE-P-PUSH BUSHING | 1 | SNA |
| 7.6-55 | JC61-00907A | HOLDER-M-PTL R2 | 1 | SA |
| 7.6-56 | JC70-00307A | IPR-P-EARTH TRANSFER | 1 | SA |
| 7.6-57 | JC61-00047A | SPRING ETC-TR L HAWK | 1 | SA |
| 7.6-58 | JC61-00588A | BUSH-M-TR L | 1 | SA |
| 7.6-59 | JC72-00102A | PMO-BUSHING TR(L) | 1 | SA |
| 7.6-60 | JC63-00918A | GROUND-P-EARTH TR | 1 | SNA |
| 7.6-61 | JC96-03790A | ELA HOU-FRAME 110V | 1 | SA |
| 7.6-61 | JC96-03789A | ELA HOU-FRAME 220V | 1 | SA |
| 7.6-62 | JC61-00835A | FOOT-BACK | 2 | SA |
| 7.6-67 | JC61-01618A | HOLDER-M ACT FEED | 1 | SNA |
| 7.6-68 | JC31-00025A | FAN-DC | 1 | SA |
| 7.6-69 | JC63-00914A | SHIELD-P-HVPS | 1 | SNA |
| 7.6-70 | JC63-00961A | SHEET-INSULATOR HVPS | 1 | SNA |
| 7.6-71 | JC44-00107A | HVPS-ELBERT | 1 | SA |
| 7.6-72 | JC39-00526A | CBF HARNESS-DUPLEX | 1 | SA |
| 7.6-73 | JC39-00519A | CBF HARNESS-SMPS | 1 | SA |

7.7 Fuser Drive Ass'y

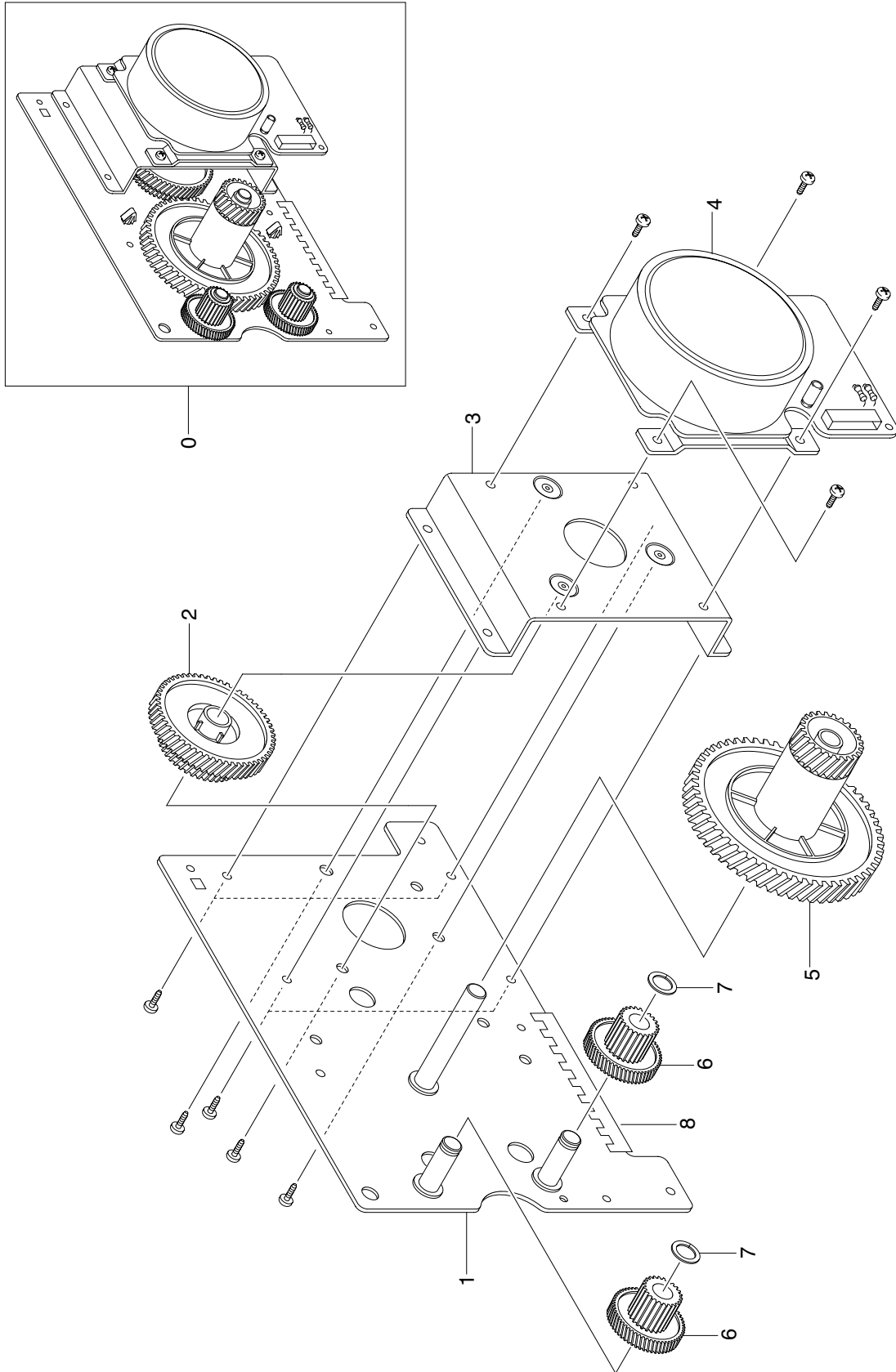


Fuser Drive Ass'y Parts List

SA : SERVICE AVAILABLE, SNA : SERVICE not AVAILABLE

| Drawer# | SEC Code | Description | QT'y | Service |
|---------|-------------|-----------------------|------|---------|
| 7.3-0 | JC96-03793A | ELA HOU-COVER MID | 1 | SA |
| 7.7-0 | JC96-03866A | ELA HOU-FUSER DRIVE | 1 | SNA |
| 7.7-1 | JC61-01598A | BRACKET-P-FUSER EXIT | 1 | SNA |
| 7.7-2 | JC31-00037E | MOTOR STEP-MAIN | 1 | SA |
| 7.7-3 | JC66-01158A | GEAR-EXIT RDCN 87/24 | 1 | SNA |
| 7.7-4 | 6044-000231 | RING-E | 2 | SA |
| 7.7-5 | JC66-01163A | GEAR-FUSER RDCN IN 95 | 1 | SNA |
| 7.7-6 | JC66-00340A | GEAR-HUB CLUTCH | 1 | SA |
| 7.7-7 | JC66-00417A | GEAR-RDCN FUSER OUT | 1 | SA |
| 7.7-8 | JC66-01210A | GEAR-FUSER IDLE FR | 1 | SA |
| 7.7-9 | 6044-000125 | RING-E | 1 | SA |

7.8 Main Drive Ass'y

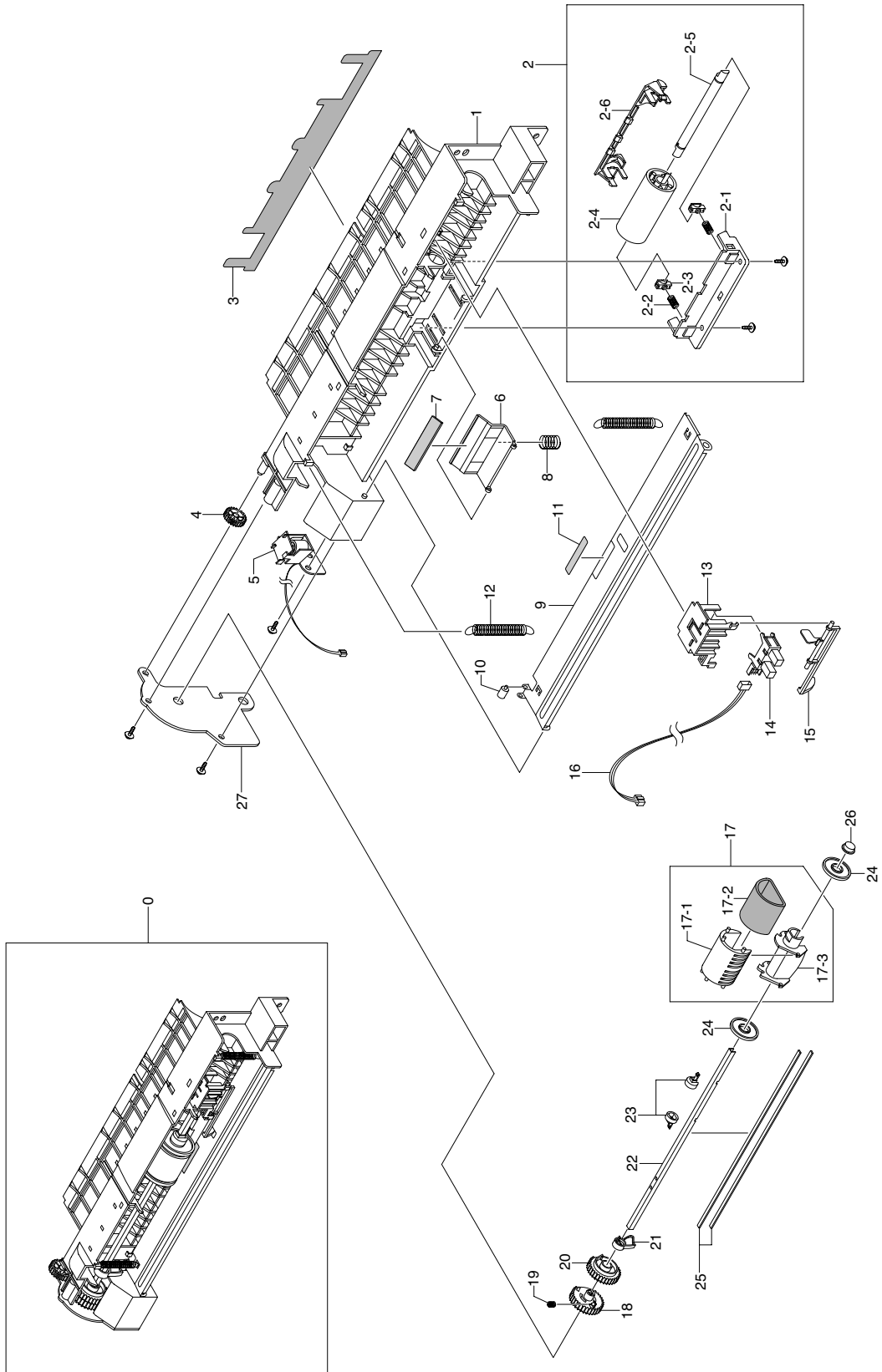


Main Drive Ass'y Parts List

SA : SERVICE AVAILABLE, SNA : SERVICE not AVAILABLE

| Drawer# | SEC Code | Description | QT'y | Service |
|---------|-------------|----------------------|------|---------|
| 7.8-0 | JC96-03761A | ELA UNIT-MAIN DRIVE | 1 | SA |
| 7.8-1 | JC61-01593A | BRACKET-P-GEAR MAIN | 1 | SNA |
| 7.8-2 | JC66-01156A | GEAR-OPC RDCN 93/61 | 1 | SNA |
| 7.8-3 | JC61-01597A | BRACKET-P-MOTOR MAIN | 1 | SNA |
| 7.8-4 | JC31-00047A | MOTOR DC-BLDC MAIN | 1 | SA |
| 7.8-5 | JC66-01157A | GEAR-OPC DRV 113/33 | 1 | SNA |
| 7.8-6 | JC66-01162A | GEAR-FEED RDCN 55/18 | 2 | SNA |
| 7.8-7 | 6031-000023 | WASHER-PLAIN | 2 | SNA |
| 7.8-8 | 6302-001056 | GASKET | 1 | SNA |

7.9 MP Ass'y

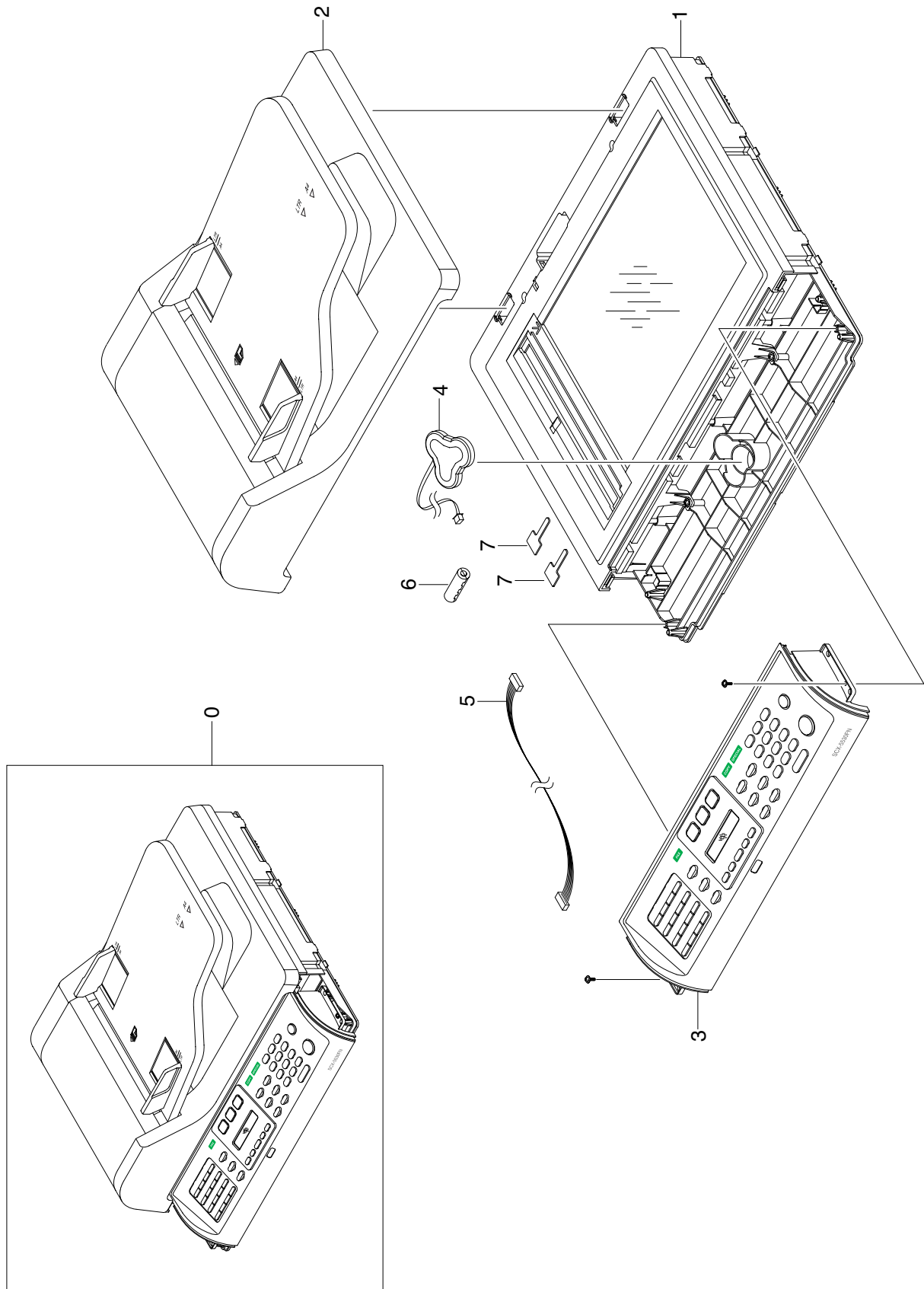


MP Ass'y Parts List

SA : SERVICE AVAILABLE, SNA : SERVICE not AVAILABLE

| Drawer# | SEC Code | Description | QT'y | Service |
|----------|-------------|----------------------------|------|---------|
| 7.9-0 | JC96-03837A | ELA HOU-MPF | 1 | SA |
| 7.9-1 | JC61-01603A | FRAME-M MP | 1 | SNA |
| 7.9-2 | JC97-02443A | MEA-IDLE FEED | 1 | SNA |
| 7.9-2-1 | JC61-01604A | HOLDER-M IDLE FEED | 1 | SNA |
| 7.9-2-2 | JC61-00484A | SPRING ETC-EXIT LOWER IDLE | 1 | SA |
| 7.9-2-3 | JC61-01605A | HOLDER-M SHAFT IDLE | 1 | SNA |
| 7.9-2-4 | JC66-01186A | ROLLER-IDLE FEED | 1 | SNA |
| 7.9-2-5 | JC66-01172A | SHAFT-IDLE FEED | 1 | SNA |
| 7.9-2-6 | JC63-00997A | COVER-M IDLE FEED | 1 | SNA |
| 7.9-3 | JC63-01094A | SHEET-GUIDE MP | 1 | SA |
| 7.9-4 | JC66-00396A | GEAR-IDLE 23 | 1 | SA |
| 7.9-5 | JC33-00015A | SOLENOID-MP | 1 | SA |
| 7.9-6 | JC61-00924A | HOLDER-M-PAD MP | 1 | SA |
| 7.9-7 | JC73-00140A | RPR-FRICTION PAD | 1 | SA |
| 7.9-8 | JC61-70911A | SPRING ETC-EXIT ROLL FD | 1 | SA |
| 7.9-9 | JC61-00927A | PLATE-P-KNOCK UP MP | 1 | SNA |
| 7.9-10 | JC72-00761A | PMO-ROLLER CAM.MP | 1 | SA |
| 7.9-11 | JC73-00141A | RPR-PAD CASSETTE | 1 | SA |
| 7.9-12 | 6107-001237 | SPRING-ES | 2 | SA |
| 7.9-13 | JC61-00926A | HOLDER-M-SENSOR MP | 1 | SA |
| 7.9-14 | 0604-001095 | PHOTO-INTERRUPTER | 1 | SA |
| 7.9-15 | JC72-01338A | PMO-M-ACT EMPTY MP | 1 | SA |
| 7.9-16 | JC39-00365A | CBF HARNESS-MPF SEN | 1 | SA |
| 7.9-17 | JC97-02034A | MEA-PICK UP MP | 1 | SA |
| 7.9-17-1 | JC61-00925A | HOUSING-M PICK UP MP | 1 | SA |
| 7.9-17-2 | JC73-00194A | RUBBER-PICK UP MP | 1 | SA |
| 7.9-17-3 | JC61-00910A | HOUSING-M-PICK UP2 R2 | 1 | SA |
| 7.9-18 | JC66-00710A | GEAR-M-PICK UP MP | 1 | SA |
| 7.9-19 | JC61-00484A | SPRING ETC-EXIT LOWER IDLE | 1 | SA |
| 7.9-20 | JC66-00709A | GEAR-M-HOLDER MP | 1 | SA |
| 7.9-21 | JC66-01205A | CAM-M PICK UP MP | 1 | SA |
| 7.9-22 | JC66-00399A | SHAFT-P-PICK UP | 1 | SA |
| 7.9-23 | JC61-00915A | STOPPER-M-PICK UP R2 | 2 | SA |
| 7.9-24 | JC72-00982A | PMO-IDLE PICK UP | 2 | SA |
| 7.9-25 | JC66-00720A | SHAFT-P-CORE | 2 | SA |
| 7.9-26 | JC61-00587A | BUSH-M-PICK UP R | 1 | SA |
| 7.9-27 | JC61-00932A | BRACKET-P-PICKUP MP | 1 | SA |

7.10 Scan Ass'y

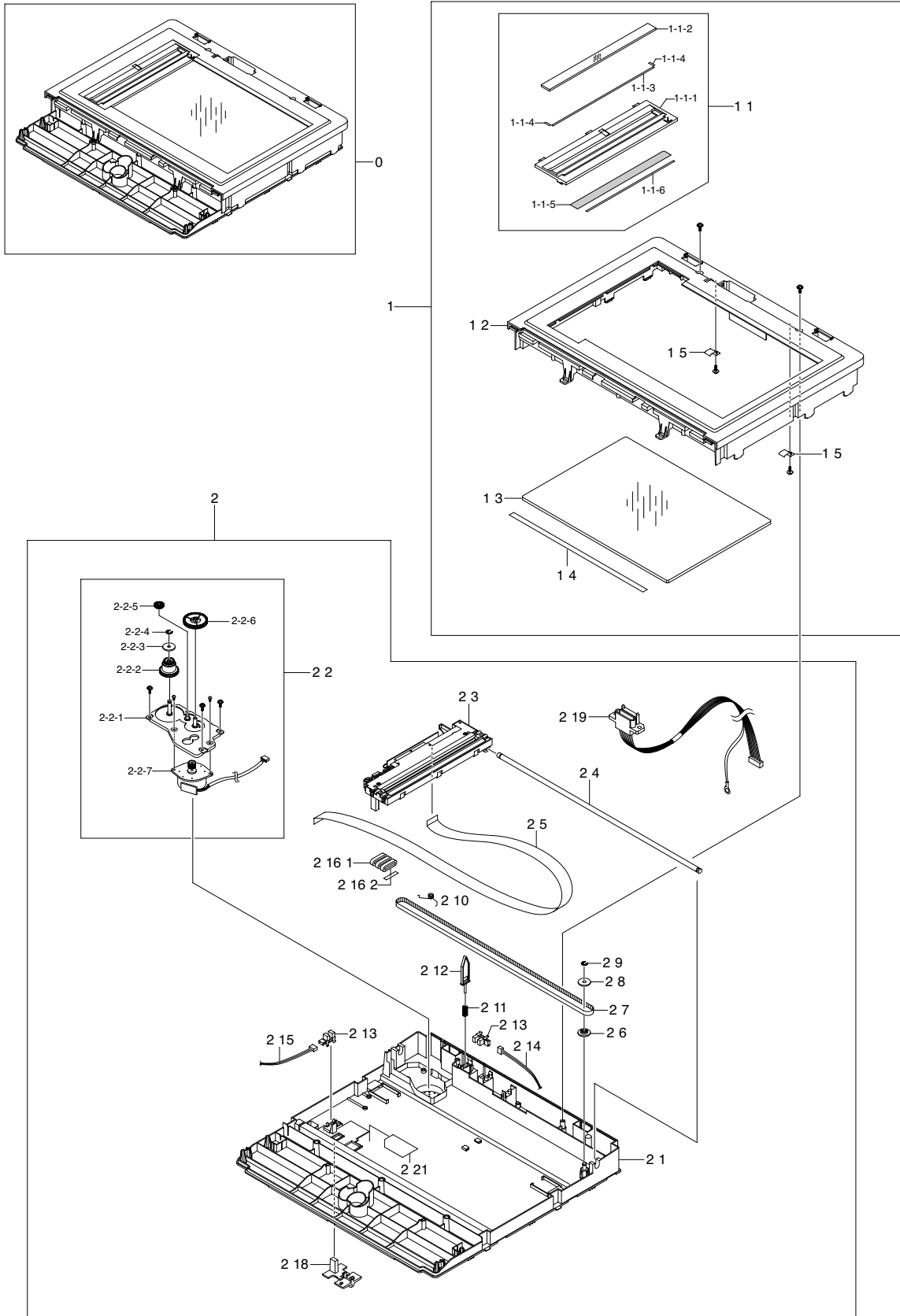


Scan Ass'y Parts List

SA : SERVICE AVAILABLE, SNA : SERVICE not AVAILABLE

| Drawer# | SEC Code | Description | QT'y | Service |
|---------|-------------|-------------------|------|---------|
| 7.10-0 | JC96-03777A | ELA HOU-SCAN 4IN1 | 1 | SA |
| 7.10-1 | JC96-03784A | ELA HOU-ADF LOWER | 1 | SA |
| 7.10-2 | JC96-03773A | ELA HOU-ADF | 1 | SA |
| 7.10-3 | JC96-03787A | ELA HOU-OPE 4IN1 | 1 | SA |
| 7.10-4 | 4302-001183 | BATTERY-NIH(2ND) | 1 | SA |
| 7.10-5 | JC39-00513A | CBF HARNESS-OPE | 1 | SNA |
| 7.10-6 | 3301-001635 | CORE-FERRITE | 1 | SNA |
| 7.10-7 | 6502-000121 | CABLE CLAMP | 2 | SNA |

7.11 Platen Ass'y

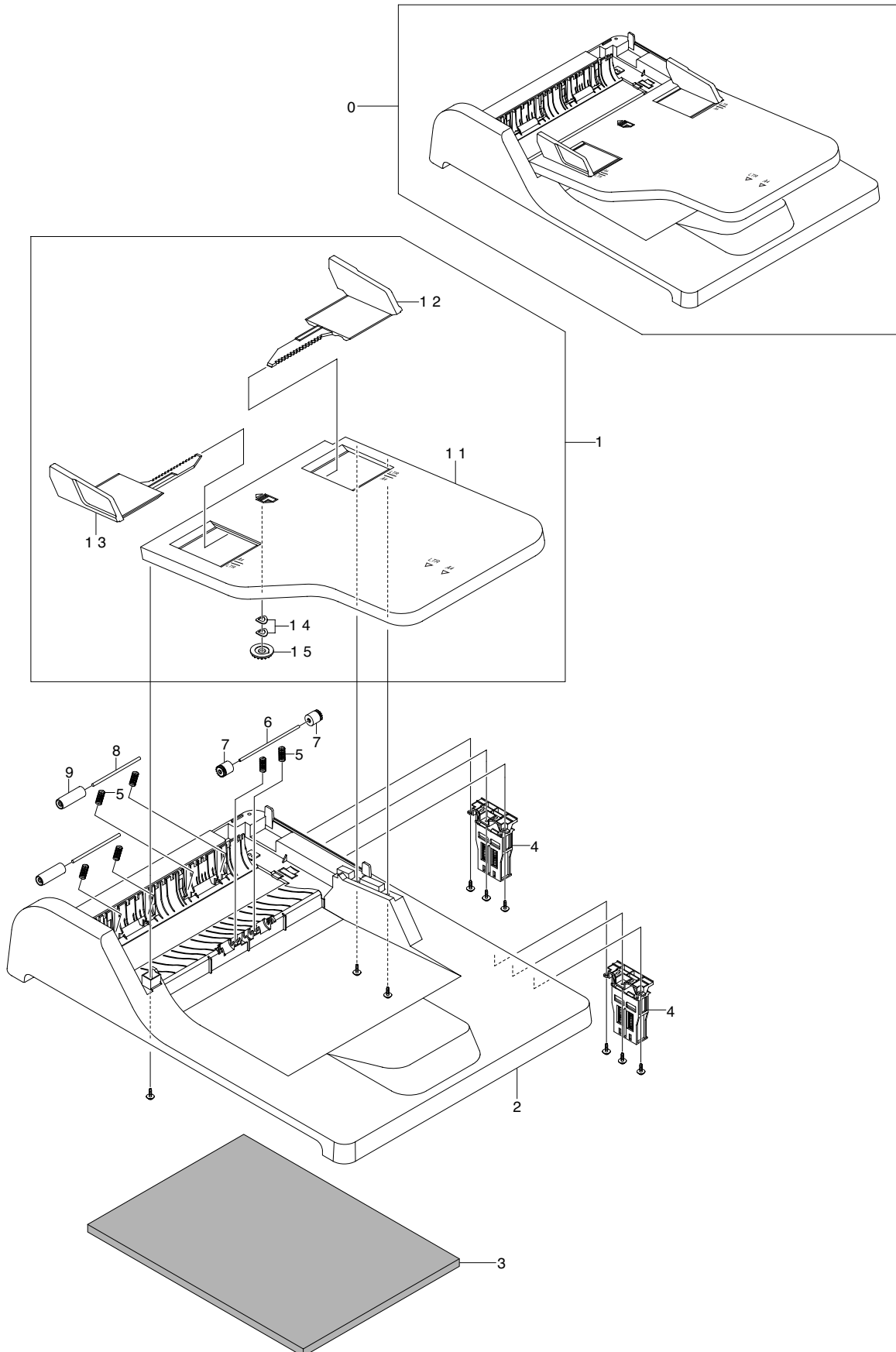


Platen Ass'y Parts List

SA : SERVICE AVAILABLE, SNA : SERVICE not AVAILABLE

| Drawer# | SEC Code | Description | QT'y | Service |
|-------------|-------------|----------------------------|------|---------|
| 7.11-0 | JC96-04067A | ELA HOU-PLATEN | 1 | SA |
| 7.11-1 | JC97-02412A | MEA-SCAN UPPER | 1 | SA |
| 7.11-1-1 | JC97-02429A | MEA UNIT-SCAN DUMMY | 1 | SA |
| 7.11-1-1-1 | JC63-00152F | COVER-M SCAN DUMMY | 1 | SA |
| 7.11-1-1-2 | JC74-00021A | MCT-GLASS ADF | 1 | SA |
| 7.11-1-1-3 | 0203-001744 | TAPE-DOUBLE FACE | 1 | SNA |
| 7.11-1-1-4 | JC02-00013A | TAPE ETC-DOUBLE TAPE SMALL | 2 | SNA |
| 7.11-1-1-5 | JB68-00644A | LABEL(P)-SHADING | 1 | SNA |
| 7.11-1-1-6 | 0203-001266 | TAPE-DOUBLE FACE | 1 | SNA |
| 7.11-1-2 | JC63-00990A | COVER-M SCAN UPPER | 1 | SNA |
| 7.11-1-3 | JC01-00001A | GLASS-SCAN | 1 | SA |
| 7.11-1-4 | 0203-001267 | TAPE-DOUBLE FACE | 1 | SNA |
| 7.11-1-5 | JB70-00148A | IPR-HOLDER GLASS | 2 | SA |
| 7.11-2 | JC96-04068A | ELA HOU-SCAN LOWER | 1 | SNA |
| 7.11-2-1 | JC63-00989A | COVER-M SCAN LOWER | 1 | SNA |
| 7.11-2-2 | JC96-03069A | ELA HOU-SCAN MOTOR | 1 | SA |
| 7.11-2-2-1 | JC61-00895A | BRACKET-SCAN MOTOR R2 | 1 | SA |
| 7.11-2-2-2 | JC66-00531A | GEAR-TIMING | 1 | SA |
| 7.11-2-2-3 | JB72-00764A | PMO-HOLDER BELT | 1 | SA |
| 7.11-2-2-4 | 6044-000125 | RING-E | 1 | SA |
| 7.11-2-2-5 | JB66-00083A | GEAR-IDLE | 1 | SA |
| 7.11-2-2-6 | JC66-00530A | GEAR-REDUCTION73/37 | 1 | SA |
| 7.11-2-2-7 | JB31-00011A | MOTOR STEP-SCAN | 1 | SA |
| 7.11-2-3 | JC96-03819A | ELA HOU-CCDM 2905 | 1 | SA |
| 7.11-2-4 | JB70-00145A | ICT-SHAFT CCD | 1 | SNA |
| 7.11-2-5 | JC39-00514A | CBF SIGNAL-CCD FFC | 1 | SA |
| 7.11-2-6 | JB72-00763A | PMO-PULLEY | 1 | SA |
| 7.11-2-7 | 6602-001067 | BELT-TIMING GEAR | 1 | SA |
| 7.11-2-9 | 6044-000125 | RING-E | 1 | SA |
| 7.11-2-10 | JB61-00059A | SPRING ETC-BELT | 1 | SA |
| 7.11-2-11 | 6107-001135 | SPRING-CS | 1 | SA |
| 7.11-2-12 | JC72-00755A | PMO-LEVER SENSOR | 1 | SA |
| 7.11-2-13 | 0604-001095 | PHOTO-INTERRUPTER | 1 | SA |
| 7.11-2-14 | JC39-00535A | CBF HARNESS-PLA COVER | 1 | SA |
| 7.11-2-15 | JC39-00537A | CBF HARNESS-ADF LOWER | 1 | SA |
| 7.11-2-16-1 | 3301-001413 | CORE-FERRITE | 1 | SNA |
| 7.11-2-16-2 | JB68-00705A | LABEL(R)-DOUBLE CORE | 1 | SNA |
| 7.11-2-17 | JC39-00513A | CBF HARNESS-OPE | 1 | SA |
| 7.11-2-18 | JC61-00894B | HOLDER-M CCD | 1 | SA |
| 7.11-2-19 | JC39-00536A | CBF HARNESS-ADF UPPER | 1 | SA |

7.12 Cover Platen Ass'y

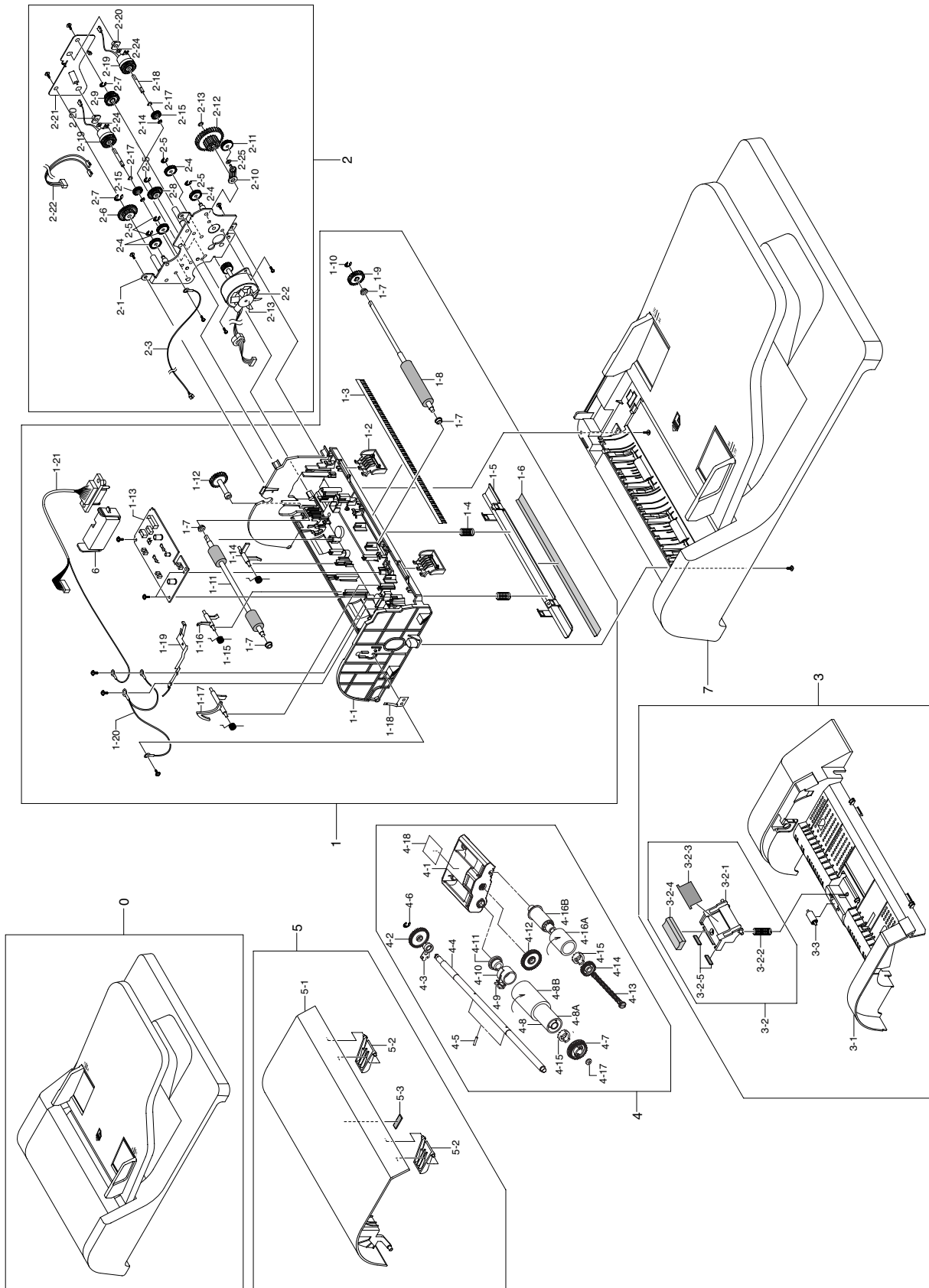


Cover Platen Ass'y Parts List

SA : SERVICE AVAILABLE, SNA : SERVICE not AVAILABLE

| Drawer# | SEC Code | Description | QT'y | Service |
|----------|-------------|----------------------|------|---------|
| 7.12-0 | JC97-02416A | MEA-COVER PLATEN | 1 | SA |
| 7.12-1 | JC97-02406A | MEA-TX STACKER | 1 | SA |
| 7.12-1-1 | JC63-00988A | COVER-M STACKER TX | 1 | SNA |
| 7.12-1-2 | JC61-01609A | GUIDE-M DOCU L | 1 | SNA |
| 7.12-1-3 | JC61-01610A | GUIDE-M DOCU R | 1 | SNA |
| 7.12-1-4 | JF70-10616A | IPR-WASHER SPRING CU | 2 | SA |
| 7.12-1-5 | JG66-40003A | GEAR-PINION | 1 | SA |
| 7.12-2 | JC63-00984A | COVER-M PLATEN | 1 | SNA |
| 7.12-3 | JC63-00209A | SHEET-WHITE SPONGE | 1 | SNA |
| 7.12-4 | JC97-01707A | MEA UNIT-HINGE | 2 | SA |
| 7.12-5 | JC61-00011A | SPRING ETC-FEED | 6 | SA |
| 7.12-6 | JF70-40521B | ICT-SHAFT PINCH | 1 | SA |
| 7.12-7 | JG72-40663A | PMO-ROLL PINCH | 2 | SA |
| 7.12-8 | JC66-00909A | SHAFT-IDLE FEED | 2 | SA |
| 7.12-9 | JC66-00728A | ROLLER-ADF FEED | 2 | SA |

7.13 ADF Ass'y



ADF Ass'y Parts List

SA : SERVICE AVAILABLE, SNA : SERVICE not AVAILABLE

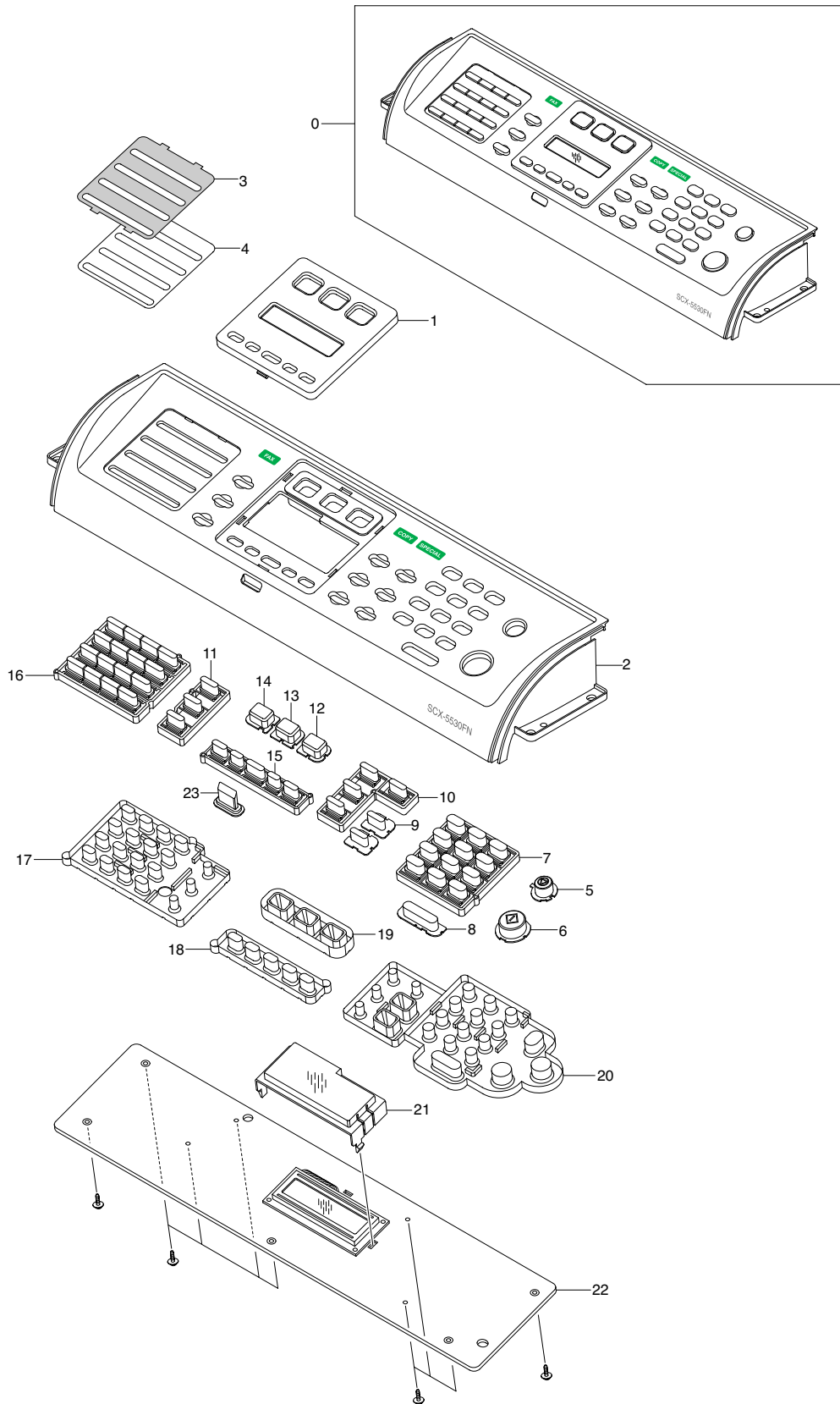
| Drawer# | SEC Code | Description | QT'y | Service |
|-----------|-------------|--------------------------------|------|---------|
| 7.13-0 | JC96-03773A | ELA HOU-ADF | 1 | SA |
| 7.13-1 | JC96-03784A | ELA HOU-ADF LOWER | 1 | SA |
| 7.13-1-1 | JC63-00982A | COVER-M ADF LOWER | 1 | SNA |
| 7.13-1-2 | JC61-00712A | GUIDE-STACKER SUB | 2 | SA |
| 7.13-1-3 | JC75-00095A | MEC-BRUSH ANTISTATIC | 1 | SA |
| 7.13-1-4 | JC61-00548A | SPRING ETC-WHITE BAR | 2 | SA |
| 7.13-1-5 | JC61-01695A | BRACKET-P WHITE BAR | 1 | SA |
| 7.13-1-6 | JC72-00752A | PPR-WHITE BAR SHEET | 1 | SA |
| 7.13-1-7 | JB72-00819A | PMO-BUSH | 2 | SA |
| 7.13-1-8 | JC66-00559A | ROLLER-EXIT | 1 | SA |
| 7.13-1-9 | JC66-00310A | GEAR-AGITATOR-2 | 1 | SNA |
| 7.13-1-10 | 6044-000159 | RING-C | 1 | SA |
| 7.13-1-11 | JC66-00560A | ROLLER-DRIVE | 1 | SA |
| 7.13-1-12 | JC66-00460A | SHAFT-M-FEED GEAR 38 | 1 | SA |
| 7.13-1-13 | JC92-01755A | PBA SUB-ADF | 1 | SA |
| 7.13-1-14 | JC72-01011A | PMO-ACTUATOR SCAN SENSOR | 1 | SA |
| 7.13-1-15 | JB61-00076A | SPRING ETC-TORSION DOC (CC2-F) | 3 | SA |
| 7.13-1-16 | JC72-01010A | PMO-ACTUATOR REGI SENSOR | 1 | SA |
| 7.13-1-17 | JC72-01320A | PMO-ACT EMPTY ADF | 1 | SA |
| 7.13-1-18 | JC70-10467A | IPR-GROUND ROLLER | 1 | SNA |
| 7.13-1-19 | JC63-00372A | GROUND-P-ADF R2 | 1 | SA |
| 7.13-1-20 | JC39-00534A | CBF HARNESS-ADF R GND | 1 | SA |
| 7.13-1-21 | JC39-00538A | CBF HARNESS-ADF CLUT1 | 1 | SA |
| 7.13-2 | JC96-03783A | ELA HOU-ADF MOTOR | 1 | SA |
| 7.13-2-1 | JC61-01589A | BRACKET-P-GEAR H | 1 | SNA |
| 7.13-2-2 | JC31-00036A | MOTOR STEP-ADF | 1 | SNA |
| 7.13-2-3 | JC39-00617A | CBF HARNESS-ADF GND | 1 | SNA |
| 7.13-2-4 | JC66-00458A | GEAR-IDLE 35 ADF | 2 | SNA |
| 7.13-2-5 | 6044-000125 | RING-E | 5 | SNA |
| 7.13-2-6 | JC66-01174A | GEAR-40/21 | 1 | SNA |
| 7.13-2-7 | 6044-000231 | RING-E | 1 | SNA |
| 7.13-2-8 | JC66-01175A | GEAR-24 | 1 | SNA |
| 7.13-2-9 | JC66-00456A | GEAR-40/21 ADF | 1 | SNA |
| 7.13-2-10 | JC66-01177A | LINK-M SWING | 1 | SNA |
| 7.13-2-11 | JC66-00457A | GEAR-SWING 31/20 ADF | 1 | SNA |
| 7.13-2-12 | JC66-00455A | GEAR-58/25 ADF | 1 | SNA |
| 7.13-2-13 | 6044-000231 | RING-E | 1 | SNA |
| 7.13-2-14 | JB70-00070A | IPR-WASHER WAVE | 1 | SNA |
| 7.13-2-15 | JC66-00457A | GEAR-SWING 31/20 ADF | 1 | SNA |
| 7.13-2-17 | 6031-000023 | WASHER-PLAIN | 1 | SNA |
| 7.13-2-18 | JC66-00662A | SHAFT-REGI | 2 | SNA |
| 7.13-2-19 | JC66-00556A | IMPELLER-ADF | 1 | SNA |
| 7.13-2-20 | JC61-00423A | BUSH-6 D | 2 | SNA |
| 7.13-3 | JC97-02410A | MEA-ADF UPPER | 1 | SNA |

ADF Ass'y Parts List

SA : SERVICE AVAILABLE, SNA : SERVICE not AVAILABLE

| Drawer# | SEC Code | Description | QT'y | Service |
|------------|-------------|-------------------------|------|---------|
| 7.13-3-1 | JC63-00985A | COVER-M ADF UPPER | 1 | SA |
| 7.13-3-2 | JC97-01940B | MEA UNIT-HOLDER ADF | 1 | SA |
| 7.13-3-2-1 | JC61-00893B | HOLDER-M PAD ADF | 1 | SA |
| 7.13-3-2-3 | JC63-00373A | SHEET-ADF HOLDER | 1 | SNA |
| 7.13-3-2-4 | JB73-00052A | RMO-ADF RUBBER | 1 | SA |
| 7.13-3-2-5 | JC66-00738A | DAMPER-PAD ADF R2 | 2 | SNA |
| 7.13-3-3 | JC66-00461A | ROLLER-M-ADF IDLE | 1 | SA |
| 7.13-4 | JC97-01962C | MEA UNIT-PICKUP | 1 | SA |
| 7.13-4-1 | JC72-00734A | PMO-COVER ADF | 1 | SA |
| 7.13-4-2 | JB66-00103A | GEAR-ADF 38 | 1 | SA |
| 7.13-4-3 | JC61-00963B | STOPPER-M PICKUP ADF | 1 | SA |
| 7.13-4-4 | JC66-00561A | SHAFT-ADF PICKUP | 1 | SA |
| 7.13-4-5 | JB70-00168A | ICT-PIN ADF | 2 | SA |
| 7.13-4-6 | 6031-000023 | WASHER-PLAIN | 1 | SA |
| 7.13-4-7 | JC72-00734A | PMO-COVER ADF | 1 | SA |
| 7.13-4-8 | JB75-00300A | MEC-PICK UP ROLLER ASSY | 1 | SA |
| 7.13-4-8A | JB72-00823A | PMO-SLEEVE PICK UP | 1 | SA |
| 7.13-4-8B | JB73-00055A | RMO-PICKUP ROLLER | 1 | SNA |
| 7.13-4-9 | JB72-00821A | PMO-ADF COLAR | 1 | SA |
| 7.13-4-10 | JB61-70904A | SPRING ETC-CLUTCH | 1 | SA |
| 7.13-4-11 | JB72-00817A | PMO-ADF CLUTCH | 1 | SA |
| 7.13-4-12 | JB66-00104A | GEAR-ADF IDLE 34 | 1 | SA |
| 7.13-4-13 | JC72-00744A | PMO-SHAFT PICK UP | 1 | SA |
| 7.13-4-14 | JB66-00105A | GEAR-PICK UP 26 | 1 | SA |
| 7.13-4-15 | JB72-00845A | PMO-PICK UP CLUTCH SUB | 2 | SA |
| 7.13-4-16 | JB75-00299A | MEC-ADF ROLLER ASSY | 1 | SA |
| 7.13-4-16A | JB73-00054A | RMO-ADF ROLLER | 1 | SNA |
| 7.13-4-16B | JB72-00822A | PMO-SLEEVE ADF | 1 | SA |
| 7.13-4-17 | 6044-000159 | RING-C | 1 | SA |
| 7.13-5 | JC97-02411A | MEA-COVER OPEN | 1 | SA |
| 7.13-5-1 | JC63-00983A | COVER-M ADF OPEN | 1 | SNA |
| 7.13-5-2 | JB72-00843A | PMO-GUIDE PAPER | 2 | SA |
| 7.13-5-3 | JC66-00738A | DAMPER-PAD ADF R2 | 1 | SNA |

7.14 OPE Unit

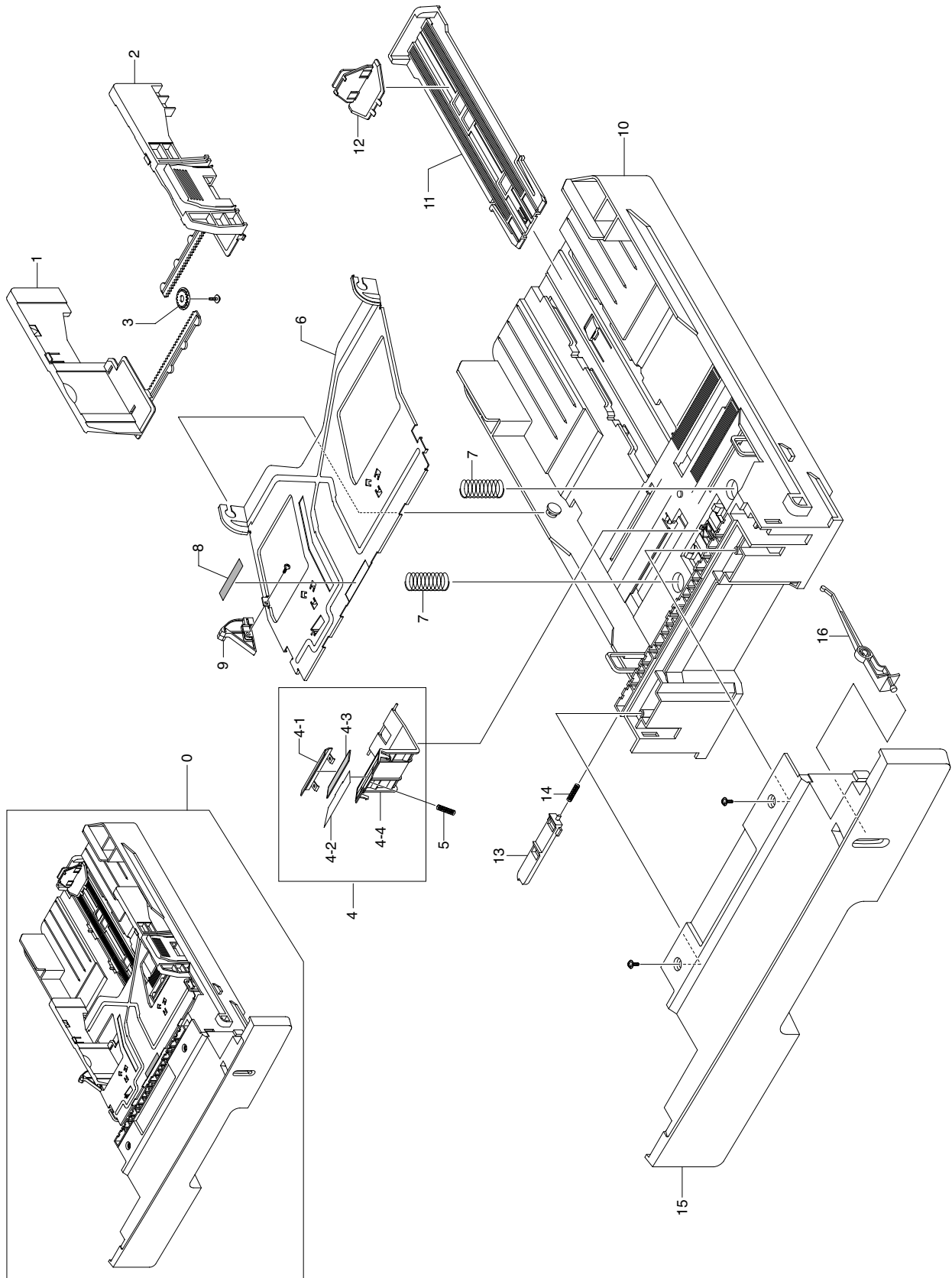


OPE Ass'y Parts List

SA : SERVICE AVAILABLE, SNA : SERVICE not AVAILABLE

| Drawer# | SEC Code | Description | QT'y | Service |
|---------|-------------|-----------------------|------|---------|
| 7.14-0 | JC96-03787A | ELA HOU-OPE 4IN1 | 1 | SA |
| 7.14-1 | JC63-00991A | COVER-M NEVI | 1 | SNA |
| 7.14-2 | JC63-00986A | COVER-M OPE 4IN1 MONO | 1 | SNA |
| 7.14-3 | JC63-00999A | SHEET-ONETOUCH | 1 | SNA |
| 7.14-4 | JC68-01639A | LABEL-ONETOUCH | 1 | SNA |
| 7.14-5 | JC64-00242A | KEY-M STOP CLEAR | 1 | SNA |
| 7.14-6 | JC64-00243A | KEY-M START BLACK | 1 | SNA |
| 7.14-7 | JC64-00239A | KEY-M TEL | 1 | SNA |
| 7.14-8 | JC64-00249A | KEY-M ON HOOK | 1 | SNA |
| 7.14-9 | JC64-00244A | KEY-M BLACK | 2 | SNA |
| 7.14-10 | JC64-00240A | KEY-M COPY | 1 | SNA |
| 7.14-11 | JC64-00241A | KEY-M FAX | 1 | SNA |
| 7.14-12 | JC64-00247A | KEY-M MODE SCAN | 1 | SNA |
| 7.14-13 | JC64-00245A | KEY-M MODE COPY | 1 | SNA |
| 7.14-14 | JC64-00246A | KEY-M MODE FAX | 1 | SNA |
| 7.14-15 | JC64-00248A | KEY-M MENU | 1 | SNA |
| 7.14-16 | JC64-00250A | KEY-M ONETOUCH | 1 | SNA |
| 7.14-17 | JC73-00231A | RUBBER-ONETOUCH | 1 | SNA |
| 7.14-18 | JC73-00230A | RUBBER-MENU | 1 | SNA |
| 7.14-19 | JC73-00233A | RUBBER-MODE | 1 | SNA |
| 7.14-20 | JC73-00232A | RUBBER-TEL COPY | 1 | SNA |
| 7.14-21 | JC63-00993A | COVER-M LCD | 1 | SA |
| 7.14-22 | JC92-01747A | PBA SUB-OPE | 1 | SA |
| 7.14-23 | JC67-00148A | LENS LED-M STATUS | 1 | SNA |

7.15 Cassette Ass'y

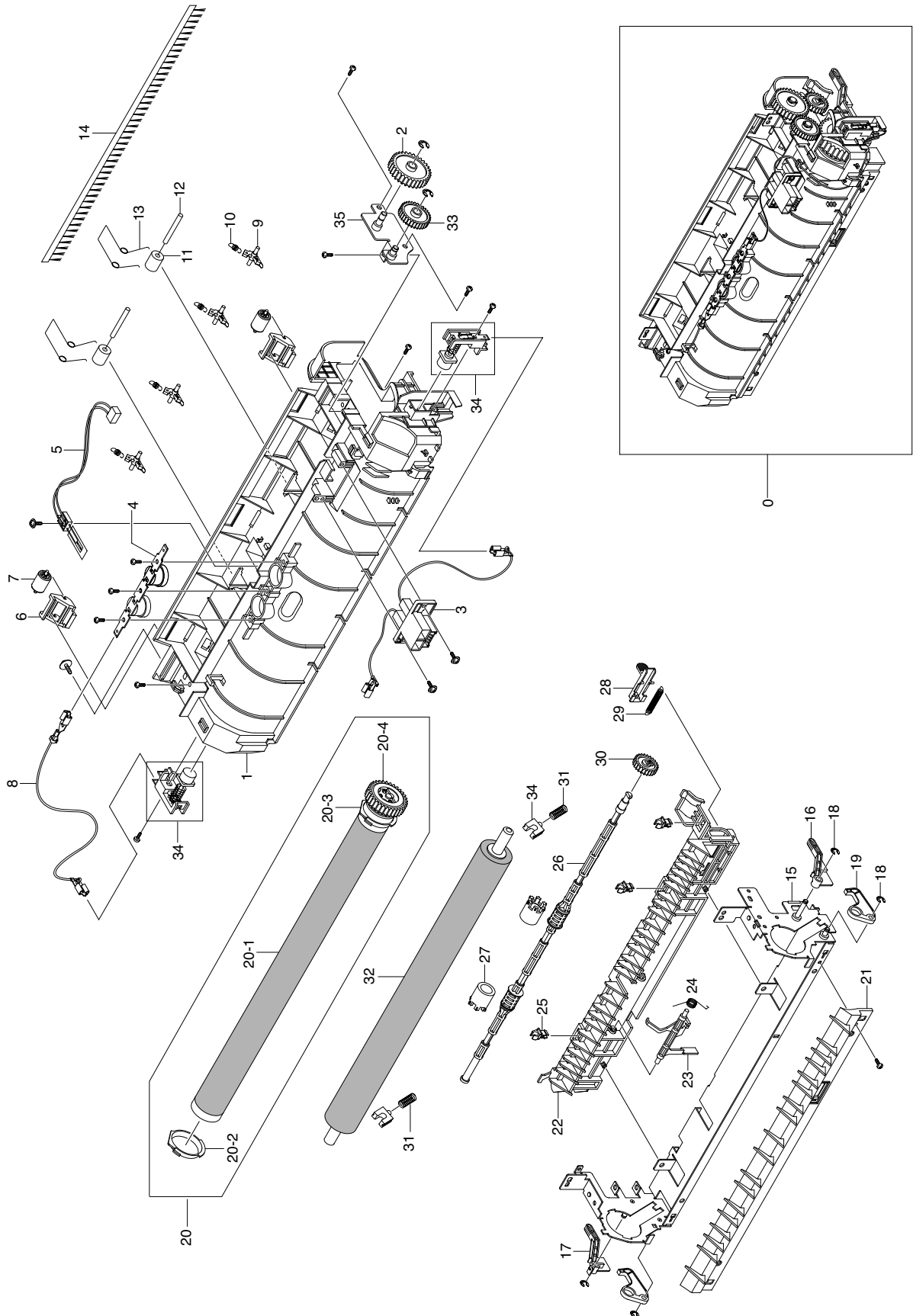


Cassette Ass'y Parts List

SA : SERVICE AVAILABLE, SNA : SERVICE not AVAILABLE

| Drawer# | SEC Code | Description | QT'y | Service |
|----------|-------------|-------------------------|------|---------|
| 7.15-0 | JC97-02413A | MEA UNIT-CASSETTE | 1 | SA |
| 7.15-1 | JC70-00300A | ADJUST-M-CASSETTE L | 1 | SA |
| 7.15-2 | JC70-00301A | ADJUST-M-CASSETTE R | 1 | SA |
| 7.15-3 | JG66-40003A | GEAR-PINION | 1 | SA |
| 7.15-4 | JC97-01931A | MEA UNIT-HOLDER PAD | 1 | SA |
| 7.15-4-1 | JC61-00580A | HOLDER-M-PAD | 1 | SA |
| 7.15-4-2 | JC63-00407A | SHEET-HOLDER PAD R2 | 1 | SNA |
| 7.15-4-3 | JC70-00314A | IPR-PLATE PAD | 1 | SA |
| 7.15-4-4 | JC73-00140A | RPR-FRICTION PAD | 1 | SA |
| 7.15-5 | JC61-70911A | SPRING ETC-EXIT ROLL FD | 1 | SA |
| 7.15-6 | JC61-00603A | PLATE-P-KNOCK UP | 1 | SNA |
| 7.15-7 | 6107-001166 | SPRING-CS | 2 | SA |
| 7.15-8 | JC73-00141A | RPR-PAD CASSETTE | 1 | SA |
| 7.15-9 | JC66-00719A | CAM-M-KNOCK UP | 1 | SNA |
| 7.15-10 | JC61-00876A | FRAME-M CASSETTE | 1 | SNA |
| 7.15-11 | JC61-00918B | GUIDE-M-EXTENSION L2 | 1 | SA |
| 7.15-12 | JC72-00971A | PMO-EXTENSION SMALL | 1 | SA |
| 7.15-13 | JC72-00972A | PMO-PLATE LOCKER | 1 | SA |
| 7.15-14 | JG61-70531A | SPRING ETC-LOCKER,PLATE | 1 | SA |
| 7.15-15 | JC63-00939A | COVER-M SUB CST | 1 | SNA |
| 7.15-16 | JC64-00253A | INDICATOR-M CASSETTE | 1 | SNA |

7.16 Fuser Ass'y

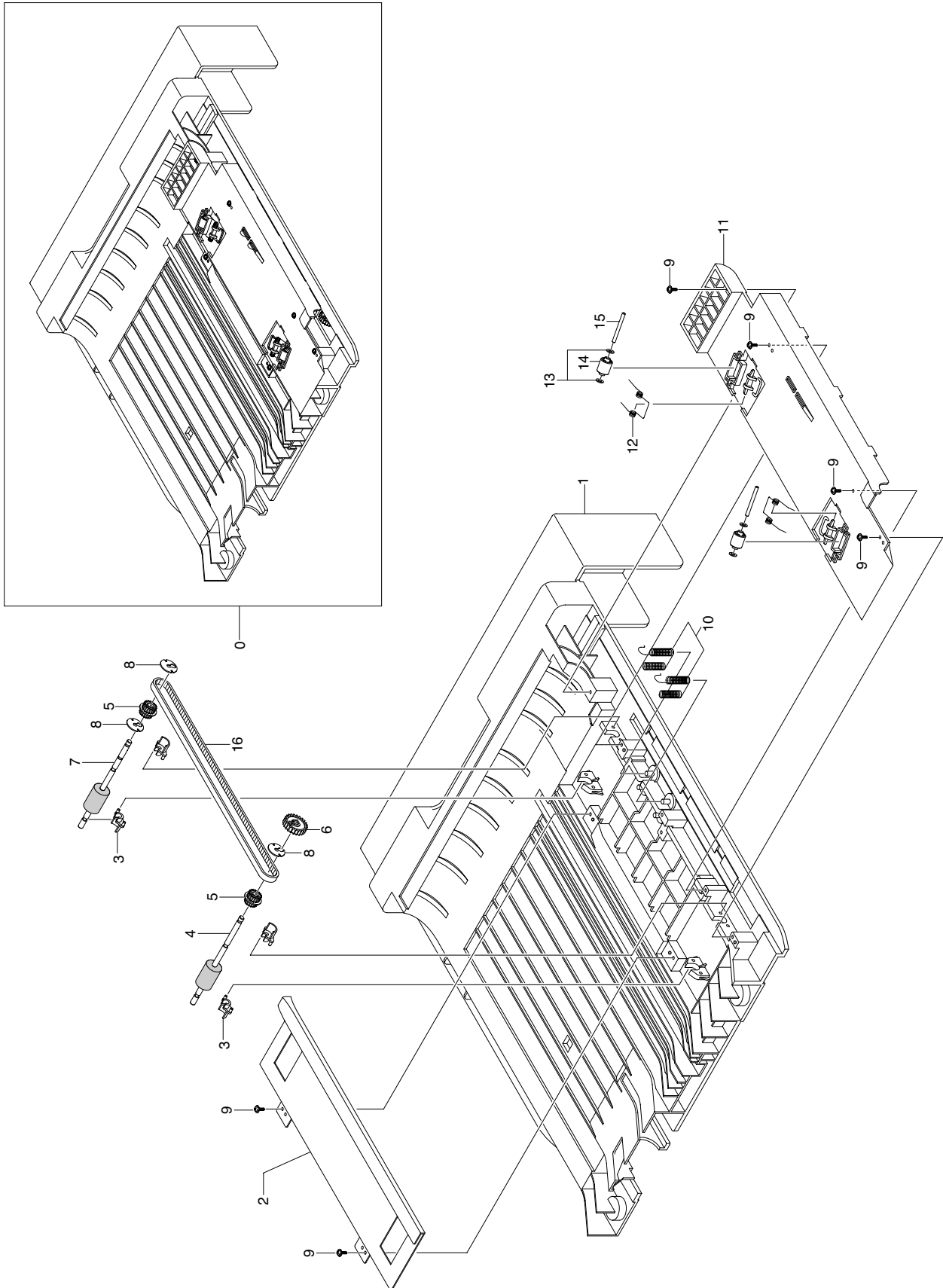


Fuser Ass'y Parts List

SA : SERVICE AVAILABLE, SNA : SERVICE not AVAILABLE

| Drawer# | SEC Code | Description | QT'y | Service |
|-----------|-------------|-----------------------|------|---------|
| 7.16-0 | JC96-03799A | ELA UNIT-FUSER 110V | 1 | SA |
| 7.16-0 | JC96-03800A | ELA UNIT-FUSER 220V | 1 | SA |
| 7.16-1 | JC61-01632A | FRAME-P-FUSER | 1 | SNA |
| 7.16-2 | JC66-00425A | GEAR-IDLE 33 | 1 | SA |
| 7.16-3 | JC39-00520A | CBF HARNESS-FUSER CON | 1 | SA |
| 7.16-4 | 4712-001031 | THERMOSTAT | 1 | SA |
| 7.16-5 | 1404-001364 | THERMISTOR-NTC ASSY | 1 | SA |
| 7.16-6 | JC61-00785A | HOLDER-M-IDLE ROLLER | 1 | SA |
| 7.16-7 | JC72-40981A | PMO-ROLLER UPPER DP | 1 | SA |
| 7.16-8 | JC39-00521A | CBF HARNESS-FUSER REC | 1 | SA |
| 7.16-9 | JC72-41128B | PMO-GUIDE CLAW GREEN | 4 | SA |
| 7.16-10 | 6107-001291 | SPRING-ES | 1 | SNA |
| 7.16-11 | JC72-20902A | PEX-ROLLER F/UP(2) | 2 | SA |
| 7.16-12 | JC70-20901A | IEX-SHAFT IDLE,F/UP | 2 | SA |
| 7.16-13 | 6107-001159 | SPRING-TS | 2 | SA |
| 7.16-14 | JC75-00095A | MEC-BRUSH ANTISTATIC | 1 | SA |
| 7.16-15 | JC61-01627A | BRACKET-P-FUSER | 1 | SNA |
| 7.16-16 | JC61-01306A | HOLDER-M JAM R | 1 | SNA |
| 7.16-17 | JC61-01305A | HOLDER-M JAM L | 1 | SNA |
| 7.16-18 | 6044-000125 | RING-E | 2 | SA |
| 7.16-19 | JC66-00957A | LEVER-M LINK JAM | 2 | SNA |
| 7.16-20 | JC96-03803A | ELA UNIT-HEAT 110V | 1 | SA |
| 7.16-20 | JC96-03804A | ELA UNIT-HEAT 220V | 1 | SA |
| 7.16-20-1 | JC66-01211A | ROLLER-HEAT | 1 | SNA |
| 7.16-20-2 | JC66-10901A | BEARING-PRESSURE/R | 1 | SA |
| 7.16-20-3 | JC61-01629A | BUSH-M HR R | 1 | SNA |
| 7.16-20-4 | JC66-01193A | GEAR-M FUSER ECOIL | 1 | SNA |
| 7.16-21 | JC63-01004A | COVER-M FUSER ECOIL | 1 | SNA |
| 7.16-22 | JC61-01633A | GUIDE-M REAR | 1 | SNA |
| 7.16-23 | JC72-00988A | PMO-ACTUATOR EXIT | 1 | SNA |
| 7.16-24 | JC61-70903A | SPRING ETC-ACTUATOR | 1 | SA |
| 7.16-25 | JC72-00382A | PMO-BUSHING TX | 3 | SNA |
| 7.16-26 | JC66-00402A | SHAFT-M-EXIT F/UP | 1 | SA |
| 7.16-27 | JC73-40909B | RMO-RUBBER EXIT F/UP | 1 | SNA |
| 7.16-28 | JC61-01625A | HOLDER-M REAR LEVER | 1 | SNA |
| 7.16-29 | 6107-001237 | SPRING-ES | 1 | SNA |
| 7.16-30 | JC66-40209A | GEAR-EXIT | 1 | SA |
| 7.16-31 | JC61-00047A | SPRING ETC-TR L HAWK | 1 | SA |
| 7.16-32 | JC66-01195A | ROLLER-PRESSURE | 1 | SA |
| 7.16-33 | JC66-00426B | GEAR-IDLE 23 | 1 | SNA |
| 7.16-34 | JC67-00154A | CAP-M END ECOIL | 2 | SNA |
| 7.16-35 | Not assign | BRACKET-FUSER GEAR | 1 | SNA |

7.17 Duplex Unit(Optional)



Duplex Unit (Optional) Parts List

SA : SERVICE AVAILABLE, SNA : SERVICE not AVAILABLE

| Drawer# | SEC Code | Description | QT'y | Service |
|---------|-------------|-----------------------|------|---------|
| 7.17-0 | JC97-02393A | MEA UNIT-DUPLEX | 1 | SA |
| 7.17-1 | JC61-01594A | FRAME-M DUP | 1 | SNA |
| 7.17-2 | Not assign | GUIDE-M DUMMY | 1 | SNA |
| 7.17-3 | JC61-00665A | BUSH-M-FEED, DUP | 4 | SA |
| 7.17-4 | JC96-03662B | ELA UNIT-ROLLER DUP2 | 1 | SNA |
| 7.17-5 | JC66-00699A | PULLEY-18-DUP | 2 | SNA |
| 7.17-6 | JC66-00038A | GEAR-EXIT F/DOWN | 1 | SA |
| 7.17-7 | JC96-03662A | ELA UNIT-ROLLER DUP | 1 | SNA |
| 7.17-8 | JC66-00900A | PULLEY-M-18-DUMMY DUP | 3 | SA |
| 7.17-9 | 6003-000196 | SCREW-TAPTITE | 6 | SA |
| 7.17-10 | JC65-00017A | TERMINAL-P-GND DUP | 1 | SNA |
| 7.17-11 | JC61-01595A | GUIDE-M UPPER DUP | 1 | SNA |
| 7.17-12 | 6107-001156 | SPRING-TS | 2 | SA |
| 7.17-13 | JK72-00058A | PCT-SILP WASHER | 4 | SNA |
| 7.17-14 | JC66-00896A | ROLLER-M-IDLE DUP | 1 | SA |
| 7.17-15 | JC66-00444A | SHAFT-IDLE ROLL, DUP | 1 | SA |
| 7.17-16 | JC66-20901A | BELT-TIMMING | 1 | SA |