

Appendix information

The following list shows different materials by model.

The material codes mentioned in the manual are subject to change without prior notice. For the latest exact information, see ITSELF System. (<http://itself.sec.samsung.co.kr>)

SF-330/ETS

DESCRIPTION	SEC.CODE
SHEET-WINDOW LCD	
ELA UNIT-OPE	
COVER-M_OPE	
PBA SUB-LIU PBA	
ELA UNIT-BASE	
MEA HOU-COVER BASE	
PPR-JAK DUMMY	

SF-335T/ETS

DESCRIPTION	SEC.CODE
SHEET-WINDOW LCD	
ELA UNIT-OPE	
COVER-M_OPE	
PBA SUB-LIU PBA	
ELA UNIT-BASE	
MEA HOU-COVER BASE	
PPR-JAK DUMMY	

SF-330/EUE

DESCRIPTION	SEC.CODE
SHEET-WINDOW LCD	JB63-00051A
ELA UNIT-OPE	JB96-01421M
COVER-M_OPE	JB63-00044M
PBA SUB-LIU PBA	JB92-01219E
ELA UNIT-BASE	JB96-01409A
MEA HOU-COVER BASE	JB97-01622A
PPR-JAK DUMMY	Unused

SF-331P/EUE

DESCRIPTION	SEC.CODE
SHEET-WINDOW LCD	
ELA UNIT-OPE	
COVER-M_OPE	
PBA SUB-LIU PBA	
ELA UNIT-BASE	
MEA HOU-COVER BASE	
PPR-JAK DUMMY	

SF-330/SKL

DESCRIPTION	SEC.CODE
SHEET-WINDOW LCD	JB63-00051A
ELA UNIT-OPE	JB96-01421L
COVER-M_OPE	JB63-00044L
PBA SUB-LIU PBA	JB92-01219V
ELA UNIT-BASE	JB96-01409A
MEA HOU-COVER BASE	JB97-01622A
PPR-JAK DUMMY	Unused

SF-335T/SKL

DESCRIPTION	SEC.CODE
SHEET-WINDOW LCD	JB63-00052A
ELA UNIT-OPE	JB96-01422J
COVER-M_OPE	JB63-00045J
PBA SUB-LIU PBA	JB92-01219B
ELA UNIT-BASE	JB96-01425A
MEA HOU-COVER BASE	JB97-01622B
PPR-JAK DUMMY	JF72-10620A

SF-330/TED

DESCRIPTION	SEC.CODE
SHEET-WINDOW LCD	
ELA UNIT-OPE	
COVER-M_OPE	
PBA SUB-LIU PBA	
ELA UNIT-BASE	
MEA HOU-COVER BASE	
PPR-JAK DUMMY	

SF-335T/TED

DESCRIPTION	SEC.CODE
SHEET-WINDOW LCD	
ELA UNIT-OPE	
COVER-M_OPE	
PBA SUB-LIU PBA	
ELA UNIT-BASE	
MEA HOU-COVER BASE	
PPR-JAK DUMMY	

SF-330/TEG

DESCRIPTION	SEC.CODE
SHEET-WINDOW LCD	JB63-00051C
ELA UNIT-OPE	JB96-01421C
COVER-M_OPE	JB63-00044C
PBA SUB-LIU PBA	JB92-01219E
ELA UNIT-BASE	JB96-01425A
MEA HOU-COVER BASE	JB97-01622A
PPR-JAK DUMMY	JF72-10620A

SF-335T/TEG

DESCRIPTION	SEC.CODE
SHEET-WINDOW LCD	JB63-00052C
ELA UNIT-OPE	JB96-01422C
COVER-M_OPE	JB63-00045C
PBA SUB-LIU PBA	JB92-01219B
ELA UNIT-BASE	JB96-01425C
MEA HOU-COVER BASE	JB97-01622B
PPR-JAK DUMMY	JF72-10620A

SF-330/XEC

DESCRIPTION	SEC.CODE
SHEET-WINDOW LCD	JB63-00051D
ELA UNIT-OPE	JB96-01421D
COVER-M_OPE	JB63-00044D
PBA SUB-LIU PBA	JB92-01219E
ELA UNIT-BASE	JB96-01409A
MEA HOU-COVER BASE	JB97-01622A
PPR-JAK DUMMY	Unused

SF-330/XEF

DESCRIPTION	SEC.CODE
SHEET-WINDOW LCD	JB63-00051H
ELA UNIT-OPE	JB96-01421H
COVER-M_OPE	JB63-00044H
PBA SUB-LIU PBA	JB92-01219P
ELA UNIT-BASE	JB96-01425A
MEA HOU-COVER BASE	JB97-01622A
PPR-JAK DUMMY	JF72-10620A

SF-330/XEG

DESCRIPTION	SEC.CODE
SHEET-WINDOW LCD	JB63-00051C
ELA UNIT-OPE	JB96-01421C
COVER-M_OPE	JB63-00044C
PBA SUB-LIU PBA	JB92-01219E
ELA UNIT-BASE	JB96-01425A
MEA HOU-COVER BASE	JB97-01622A
PPR-JAK DUMMY	JB72-10620A

SF-330/XEN

DESCRIPTION	SEC.CODE
SHEET-WINDOW LCD	
ELA UNIT-OPE	
COVER-M_OPE	
PBA SUB-LIU PBA	
ELA UNIT-BASE	
MEA HOU-COVER BASE	
PPR-JAK DUMMY	

SF-330/XEP

DESCRIPTION	SEC.CODE
SHEET-WINDOW LCD	JB63-00051G
ELA UNIT-OPE	JB96-01421G
COVER-M_OPE	JB63-00044G
PBA SUB-LIU PBA	JB92-01219E
ELA UNIT-BASE	JB96-01409A
MEA HOU-COVER BASE	JB97-01622A
PPR-JAK DUMMY	Unused

SF-335T/XEC

DESCRIPTION	SEC.CODE
SHEET-WINDOW LCD	JB63-00052D
ELA UNIT-OPE	JB96-01422D
COVER-M_OPE	JB63-00045D
PBA SUB-LIU PBA	JB92-01219B
ELA UNIT-BASE	JB96-01425D
MEA HOU-COVER BASE	JB97-01622B
PPR-JAK DUMMY	JF72-10620A

SF-335T/XEF

DESCRIPTION	SEC.CODE
SHEET-WINDOW LCD	JB63-00052H
ELA UNIT-OPE	JB96-01422H
COVER-M_OPE	JB63-00045H
PBA SUB-LIU PBA	JB92-01219B
ELA UNIT-BASE	JB96-01425H
MEA HOU-COVER BASE	JB97-01622B
PPR-JAK DUMMY	JF72-10620A

SF-335T/XEG

DESCRIPTION	SEC.CODE
SHEET-WINDOW LCD	JB63-00052C
ELA UNIT-OPE	JB96-01422C
COVER-M_OPE	JB63-00045C
PBA SUB-LIU PBA	JB92-01219B
ELA UNIT-BASE	JB96-01425C
MEA HOU-COVER BASE	JB97-01622B
PPR-JAK DUMMY	JF72-10620A

SF-335T/XEN

DESCRIPTION	SEC.CODE
SHEET-WINDOW LCD	
ELA UNIT-OPE	
COVER-M_OPE	
PBA SUB-LIU PBA	
ELA UNIT-BASE	
MEA HOU-COVER BASE	
PPR-JAK DUMMY	

SF-335T/XEP

DESCRIPTION	SEC.CODE
SHEET-WINDOW LCD	JB63-00052G
ELA UNIT-OPE	JB96-01422G
COVER-M_OPE	JB63-00045G
PBA SUB-LIU PBA	JB92-01219B
ELA UNIT-BASE	JB96-01425G
MEA HOU-COVER BASE	JB97-01622B
PPR-JAK DUMMY	JF72-10620A

SF-330/XET

DESCRIPTION	SEC.CODE
SHEET-WINDOW LCD	JB63-00051E
ELA UNIT-OPE	JB96-01421E
COVER-M_OPE	JB63-00044E
PBA SUB-LIU PBA	JB92-01219E
ELA UNIT-BASE	JB96-01409A
MEA HOU-COVER BASE	JB97-01622A
PPR-JAK DUMMY	Unused

SF-330/XEU

DESCRIPTION	SEC.CODE
SHEET-WINDOW LCD	JB63-00051A
ELA UNIT-OPE	JB96-01421A
COVER-M_OPE	JB63-00044A
PBA SUB-LIU PBA	JB92-01219A
ELA UNIT-BASE	JB96-01409A
MEA HOU-COVER BASE	JB97-01622A
PPR-JAK DUMMY	Unused

SF-335T/XEV

DESCRIPTION	SEC.CODE
SHEET-WINDOW LCD	
ELA UNIT-OPE	
COVER-M_OPE	
PBA SUB-LIU PBA	
ELA UNIT-BASE	
MEA HOU-COVER BASE	
PPR-JAK DUMMY	

SF-330/XFA

DESCRIPTION	SEC.CODE
SHEET-WINDOW LCD	JB63-00051A
ELA UNIT-OPE	JB96-01421L
COVER-M_OPE	JB63-00044L
PBA SUB-LIU PBA	JB92-01219R
ELA UNIT-BASE	JB96-01409A
MEA HOU-COVER BASE	JB97-01622A
PPR-JAK DUMMY	Unused

SF-330/XIL

DESCRIPTION	SEC.CODE
SHEET-WINDOW LCD	JB63-00051F
ELA UNIT-OPE	JB96-01421F
COVER-M_OPE	JB63-00044F
PBA SUB-LIU PBA	JB92-01219G
ELA UNIT-BASE	JB96-01409A
MEA HOU-COVER BASE	JB97-01622A
PPR-JAK DUMMY	Unused

SF-335T/XET

DESCRIPTION	SEC.CODE
SHEET-WINDOW LCD	JB63-00052E
ELA UNIT-OPE	JB96-01422E
COVER-M_OPE	JB63-00045E
PBA SUB-LIU PBA	JB92-01219B
ELA UNIT-BASE	JB96-01425E
MEA HOU-COVER BASE	JB97-01622B
PPR-JAK DUMMY	JF72-10620A

SF-335T/XEU

DESCRIPTION	SEC.CODE
SHEET-WINDOW LCD	JB63-00052A
ELA UNIT-OPE	JB96-01422A
COVER-M_OPE	JB63-00045A
PBA SUB-LIU PBA	JB92-01219B
ELA UNIT-BASE	JB96-01425A
MEA HOU-COVER BASE	JB97-01622B
PPR-JAK DUMMY	JF72-10620A

SF-331P/XEV

DESCRIPTION	SEC.CODE
SHEET-WINDOW LCD	
ELA UNIT-OPE	
COVER-M_OPE	
PBA SUB-LIU PBA	
ELA UNIT-BASE	
MEA HOU-COVER BASE	
PPR-JAK DUMMY	

SF-335T/XFA

DESCRIPTION	SEC.CODE
SHEET-WINDOW LCD	JB63-00052A
ELA UNIT-OPE	JB96-01422J
COVER-M_OPE	JB63-00045J
PBA SUB-LIU PBA	JB92-01219B
ELA UNIT-BASE	JB96-01425A
MEA HOU-COVER BASE	JB97-01622B
PPR-JAK DUMMY	JF72-10620A

SF-335T/XIL

DESCRIPTION	SEC.CODE
SHEET-WINDOW LCD	JB63-00052F
ELA UNIT-OPE	JB96-01422F
COVER-M_OPE	JB63-00045F
PBA SUB-LIU PBA	JB92-01219B
ELA UNIT-BASE	JB96-01425F
MEA HOU-COVER BASE	JB97-01622B
PPR-JAK DUMMY	JF72-10620A

SF-331P/XIL

DESCRIPTION	SEC.CODE
SHEET-WINDOW LCD	
ELA UNIT-OPE	
COVER-M_OPE	
PBA SUB-LIU PBA	
ELA UNIT-BASE	
MEA HOU-COVER BASE	
PPR-JAK DUMMY	

SF-330/XSA

DESCRIPTION	SEC.CODE
SHEET-WINDOW LCD	JB63-00051A
ELA UNIT-OPE	JB96-01421M
COVER-M_OPE	JB63-00044M
PBA SUB-LIU PBA	JB92-01219T
ELA UNIT-BASE	JB96-01409A
MEA HOU-COVER BASE	JB97-01622A
PPR-JAK DUMMY	Unused

SF-330/XSE

DESCRIPTION	SEC.CODE
SHEET-WINDOW LCD	JB63-00051A
ELA UNIT-OPE	JB96-01421L
COVER-M_OPE	JB63-00044L
PBA SUB-LIU PBA	JB92-01219V
ELA UNIT-BASE	JB96-01409A
MEA HOU-COVER BASE	JB97-01622A
PPR-JAK DUMMY	Unused

SF-330/XSG

DESCRIPTION	SEC.CODE
SHEET-WINDOW LCD	
ELA UNIT-OPE	
COVER-M_OPE	
PBA SUB-LIU PBA	
ELA UNIT-BASE	
MEA HOU-COVER BASE	
PPR-JAK DUMMY	

SF-330/XSS

DESCRIPTION	SEC.CODE
SHEET-WINDOW LCD	JB63-00051A
ELA UNIT-OPE	JB96-01421L
COVER-M_OPE	JB63-00044L
PBA SUB-LIU PBA	JB92-01219V
ELA UNIT-BASE	JB96-01409A
MEA HOU-COVER BASE	JB97-01622A
PPR-JAK DUMMY	Unused

SF-330/XIP

DESCRIPTION	SEC.CODE
SHEET-WINDOW LCD	JB63-00051A
ELA UNIT-OPE	JB96-01421L
COVER-M_OPE	JB63-00044L
PBA SUB-LIU PBA	JB92-01219V
ELA UNIT-BASE	JB96-01409A
MEA HOU-COVER BASE	JB97-01622A
PPR-JAK DUMMY	Unused

SF-335T/XSA

DESCRIPTION	SEC.CODE
SHEET-WINDOW LCD	JB63-00052A
ELA UNIT-OPE	JB96-01422K
COVER-M_OPE	JB63-00045K
PBA SUB-LIU PBA	JB92-01219B
ELA UNIT-BASE	JB96-01425A
MEA HOU-COVER BASE	JB97-01622B
PPR-JAK DUMMY	JF72-10620A

SF-335T/XSE

DESCRIPTION	SEC.CODE
SHEET-WINDOW LCD	JB63-00052A
ELA UNIT-OPE	JB96-01422J
COVER-M_OPE	JB63-00045J
PBA SUB-LIU PBA	JB92-01219B
ELA UNIT-BASE	JB96-01425A
MEA HOU-COVER BASE	JB97-01622B
PPR-JAK DUMMY	JF72-10620A

SF-335T/XSG

DESCRIPTION	SEC.CODE
SHEET-WINDOW LCD	
ELA UNIT-OPE	
COVER-M_OPE	
PBA SUB-LIU PBA	
ELA UNIT-BASE	
MEA HOU-COVER BASE	
PPR-JAK DUMMY	

SF-335T/XSS

DESCRIPTION	SEC.CODE
SHEET-WINDOW LCD	JB63-00052A
ELA UNIT-OPE	JB96-01422J
COVER-M_OPE	JB63-00045J
PBA SUB-LIU PBA	JB92-01219B
ELA UNIT-BASE	JB96-01425A
MEA HOU-COVER BASE	JB97-01622B
PPR-JAK DUMMY	JF72-10620A

SF-330/XST

DESCRIPTION	SEC.CODE
SHEET-WINDOW LCD	JB63-00051A
ELA UNIT-OPE	JB96-01421L
COVER-M_OPE	JB63-00044L
PBA SUB-LIU PBA	JB92-01219V
ELA UNIT-BASE	JB96-01409A
MEA HOU-COVER BASE	JB97-01622A
PPR-JAK DUMMY	Unused

SF-335T/XST

DESCRIPTION	SEC.CODE
SHEET-WINDOW LCD	JB63-00052A
ELA UNIT-OPE	JB96-01422J
COVER-M_OPE	JB63-00045J
PBA SUB-LIU PBA	JB92-01219B
ELA UNIT-BASE	JB96-01425A
MEA HOU-COVER BASE	JB97-01622B
PPR-JAK DUMMY	JF72-10620A

5. Exploded Views and Parts List

Appendix information

- 5.1 Main Assembly page(5-2)
- 5.2 OPE Unit Assembly page(5-4)
- 5.3 Handset Unit Assembly page(5-6)
- 5.4 ASF Unit Assembly page(5-7)
- 5.5 Engine Unit Assembly page(5-8)
- 5.6 Base Unit Assembly page(5-10)

- Deal drawings and service parts are declared for the items with higher rate of inferiority and replaceable in the level of service description only.
- If inferiority occurs, you can replace the parts by the unit declared in deal drawings and service items.

Way to observe Part Code & Description

Part code and Description is quoted and controlled by determined standard. Refer to this determined standard, it will help with ordering Part.

- There are two kinds of Part code inscription type.

●●●●●—●●●●●●●	ex) 2007-007961	R-CHIP
■●●●●●●●■ └ It shows part specific	ex) JB96-01268A	ELA UNIT-COVER TOP

(● : figure, ■ : character (alphabet))

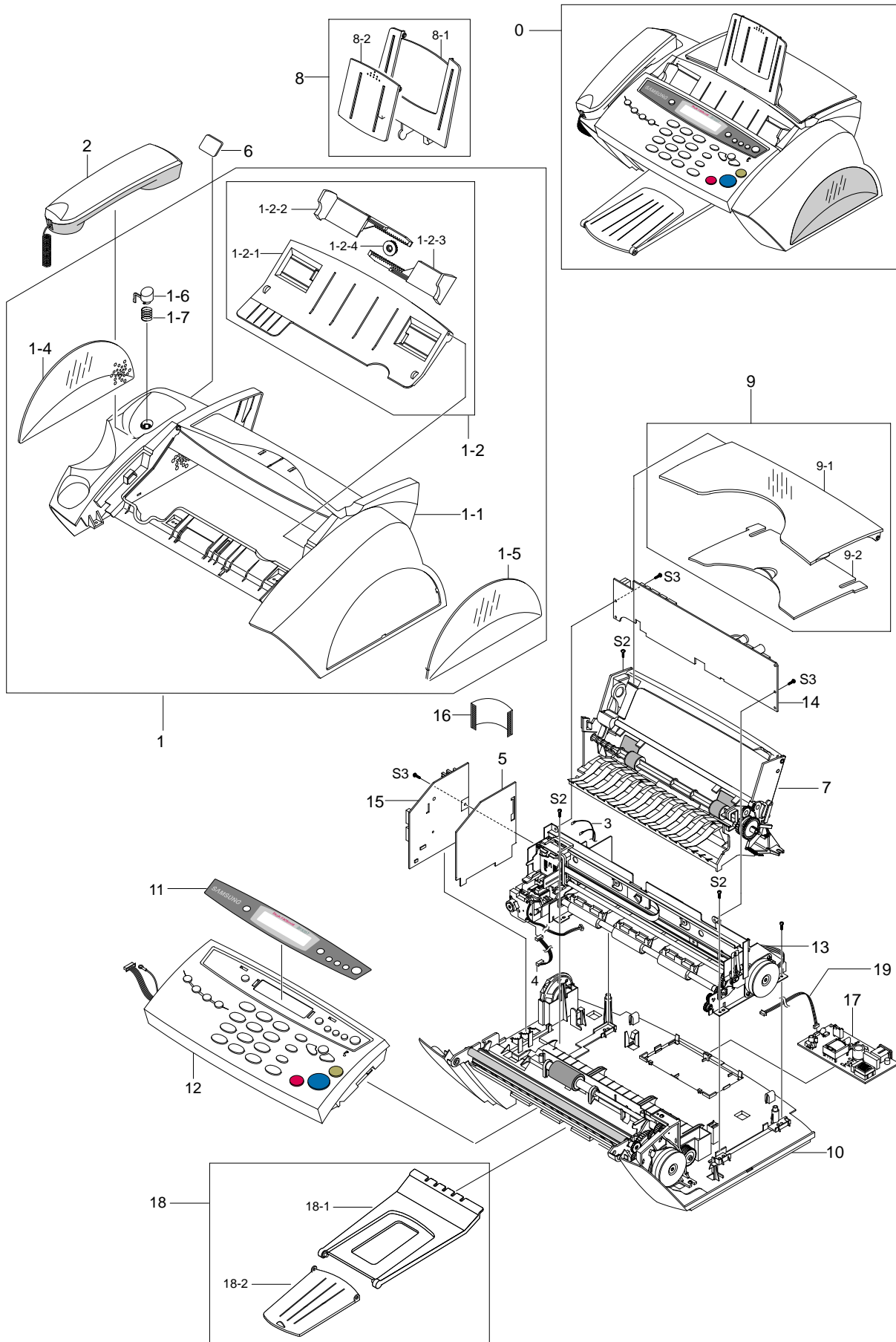
Type 1 : Controlled by Company : It can be commonly used for all kinds of product SEC produce. Mostly, electronics Parts.

Type 2 : Controlled by Division : It is used or one produce. Mostly, Mostly, mechanical Parts.

- **A/S privately used part** : It is only used for A/S .
- **Ass'y part** : Assembled by more than 2 Parts. If necessary part is not A/S Part, Ass'y part including necessary par can be used. It is shown in the diagram and drawing of SVC manual.
- Ass'y part and A/S privately used Part is distinguished by part Code and Description. The are inscription type 2. It is recognized by Part character and front side of description.

DIVISION	PART CODE	DESCRIPTION
A/S Private	**81-***** (JB81-00039A)	AS-***** (AS-USE)
ASS'Y Part	**75-***** (JB75-00068A)	MEC-***** (MEC-CHUTE)
ASS'Y Part	**92-***** (JB92-01131A)	PBA ***** (PBA MAIN-CONTROLLER)
ASS'Y Part	**97-***** (JB97-01089A)	MEA ***** (MEA UNIT-PULLEY IDLE)

5.1 Main Assembly


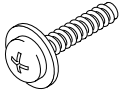
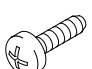


Main Assembly Parts List

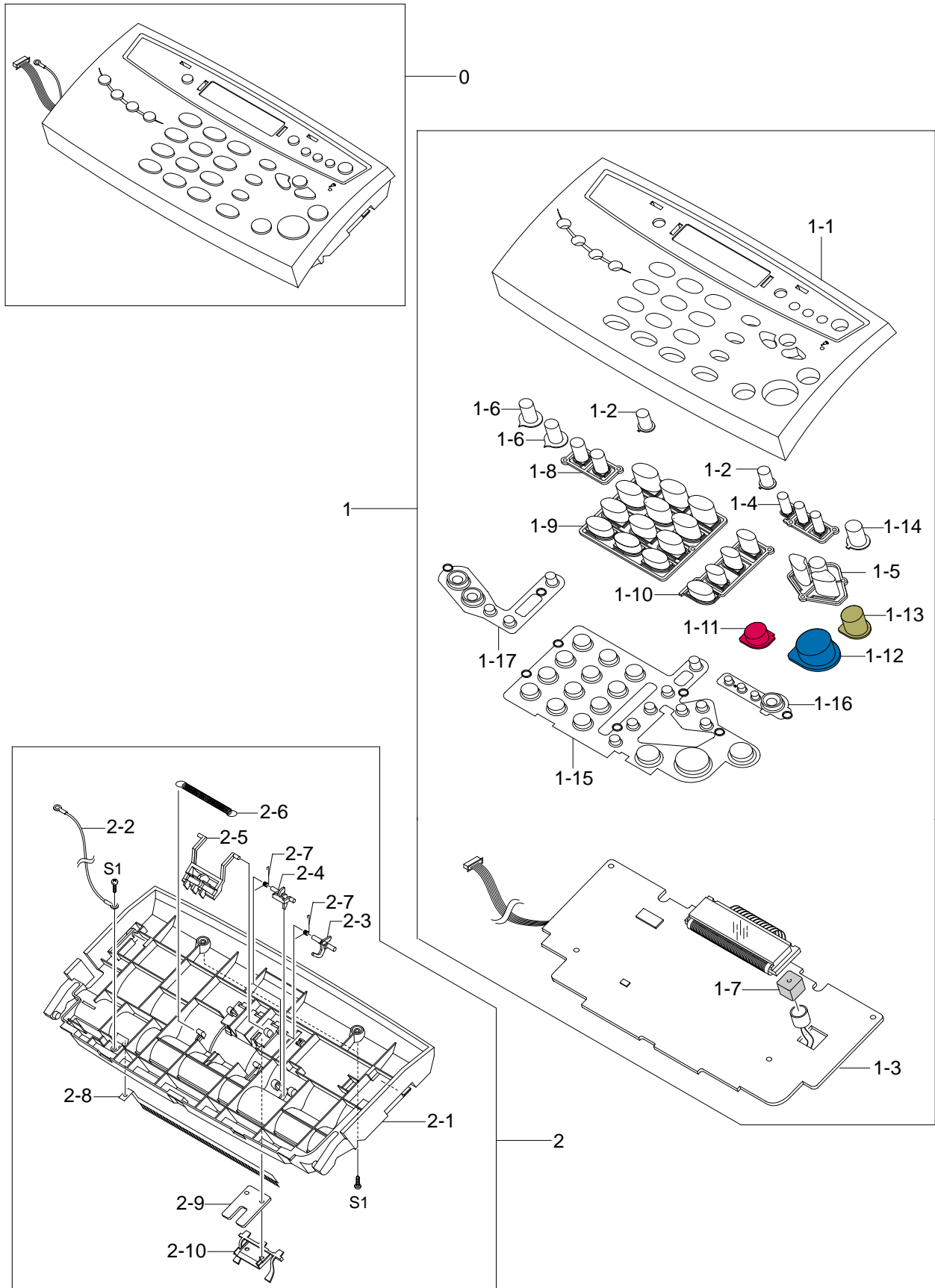
SA : Service Available

O : Service available X : Service not available

No.	Description	SEC.Code	Q'ty	SA	Remark
0	SET		1		
1	MEA HOU-COVER TOP	JB97-01626A	1	O	SF-330
	MEA HOU-COVER TOP	JB97-01626B	1	O	SF-335T
	MEA HOU-COVER TOP	TBD	1	O	SF-331P
1-1	COVER-M_TOP	JB63-00048A	1	O	
1-2	MEA HOU-DOOR	JB97-01627A	1	O	
1-2-1	COVER-M_DOOR	*	1	X	
1-2-2	PMO-DOC GUIDE (L)	*	1	X	
1-2-3	PMO-DOC GUIDE (R)	*	1	X	
1-2-4	GEAR-PINION	JG66-40003A	1	O	
1-4	COVER-M_SIDE L	JB63-00042A	1	O	SF-330
	COVER-M_SIDE L(TAD)	JB63-00042B	1	O	SF-335T
	COVER-M_SIDE L	TBD	1	O	SF-331P
1-5	COVER-M_SIDE R	JB63-00041A	1	O	SF-330
	COVER-M_SIDE R(TAD)	JB63-00041B	1	O	SF-335T
	COVER-M_SIDE R	TBD	1	O	SF-331P
1-6	BUTTON-M_HOOK SWITCH	JB64-00030A	1	O	
1-7	SPRING-CS	6107-001148	1	O	
2	ELA UNIT-HANDSET	JB96-01406A	1	O	SF-330
	ELA UNIT-HANDSET(T)	JB96-01406C	1	O	SF-335T
	ELA UNIT-HANDSET	TBD	1	O	SF-331P
3	CBF HARNESS-CR MOTOR-MAIN	JB39-00179A	1	O	
4	CBF HARNESS-SS MOTOR MAIN	JB39-00178A	1	O	
5	SHEET-INSULATION LIU	JB63-00059A	1	O	
6	SHEET-USB	JB63-00049A	1	O	SF-330/335T
	SHEET-USB	JB63-00073A	1	O	SF-331P
7	MEA UNIT ASF	JB97-01621A	1	O	
8	MEA HOU-CHUTE	JB97-01623A	1	O	
8-1	CHUTE-M_DOC1	*	1	X	
8-2	PMO-CHUTE DOC 2	*	1	X	
9	MEA HOU-GUIDE EXTENSION	JB97-01673A	1	O	
9-1	GUIDE-M_EXTENSION 1	*	1	X	
9-2	GUIDE-M_EXTENSION 2	*	1	X	
10	ELA UNIT-BASE	Refer to Info.	1	O	
11	SHEET-WINDOW LCD	Refer to Info.	1	O	
12	ELA UNIT-OPE	Refer to Info.	1	O	
13	ELA UNIT-ENGINE	JB96-01415A	1	O	
14	PBA MAIN-MAIN PBA	JB92-01218A	1	O	SF-330
	PBA MAIN-MAIN PBA TAD	JB92-01218B	1	O	SF-335T
	PBA MAIN-MAIN PBA	TBD	1	O	SF-331P
15	PBA SUB-LIU PBA	Refer to Info.	1	O	
16	CBF HARNESS-MAIN LIU FFC	JB39-00181A	1	O	
17	SMPS-RHINE SMPS/V2	JB44-00028A	1	O	
18	MEA HOU-STACKER TX	JB97-01624A	1	O	
18-1	TRAY_M_STACKER TX1	*	1	X	
18-2	TRAY_M_STACKER TX2	*	1	X	
19	CBF HARNESS-SMPS-MAIN	JB39-00177A	1	O	
S2	SCREW-TAPTITE	6003-000196	14	O	
S3	SCREW-TAPTITE	6003-000269	6	O	

	S1	6002-000175	SCREW-TAPPING	"PWH,+,2,M3,L8,ZPC(YEL),SM20C"
	S2	6003-000196	SCREW-TAPTITE	"PWH,+,B,M3,L10,NI PLT,SWRCH18A"
	S3	6003-000269	SCREW-TAPTITE	"BH,+,S,M3,L6,ZPC(YEL),SWRCH18A"


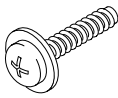
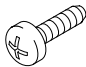
5.2 OPE Unit Assembly



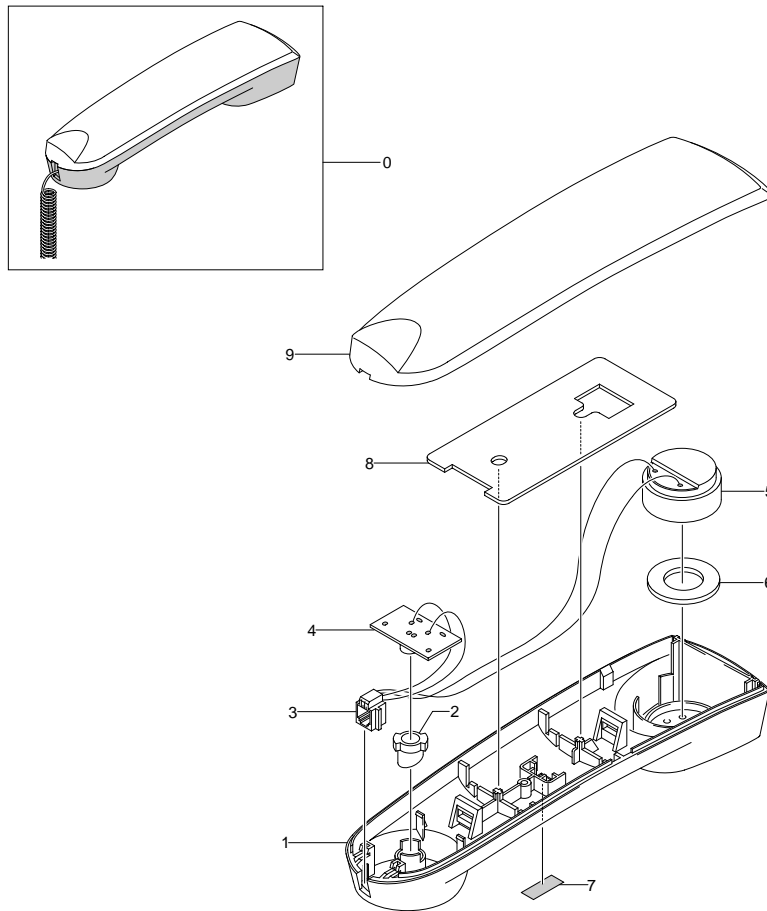
OPE Unit Assembly Parts List

SA : Service Available
 O : Service available X : Service not available

No.	Description	SEC.Code	Q'ty	SA	Remark
0	ELA UNIT-OPE	Refer to Info.	1	O	
1	ELA HOU-COVER OPE	*	1	X	
1-1	COVER-M_OPE	Refer to Info.	1	O	
1-2	PMO-KEY-RESOLUTION	JB72-00112B	2	O	
1-3	PBA SUB-OPE PBA	JB81-00297A	1	O	SF-330/331P
	PBA SUB-OPE PBA TAD	JB81-00297B	1	O	SF-335T
1-4	KEY-M_FUNCTION	JB64-00025A	1	O	SF-330/331P
	KEY-M_FUNCTION(TAD)	JB64-00025B	1	O	SF-335T
1-5	KEY-M_ANSWER	JB64-00028A	2	O	SF-335T ONLY
1-6	KEY-M_SAVE	JB64-00027A	2	O	
1-7	PMO-MIC ADAPTOR	GB72-40770A	1	O	SF-335T ONLY
1-8	KEY-M_CARTRIDGE	JB64-00023A	1	O	
1-9	KEY-M_TEL	JB64-00020A	1	O	
1-10	KEY-M_MENU	JB64-00024A	1	O	
1-11	KEY-M_STOP	JB64-00026A	1	O	
1-12	KEY-M_START	JB64-00022A	1	O	
1-13	KEY-M_COPY	JB64-00021A	1	O	
1-14	KEY-M_TAD	JB64-00029A	1	O	SF-335T ONLY
1-15	RUBBER-CONTACT MAIN	JB73-00098A	1	O	
1-16	RUBBER-CONTACT TAD	JB73-00097A	1	O	SF-335T ONLY
1-17	RUBBER-CONTACT SAVE	JB73-00099A	1	O	
S1	SCREW-TAPPING	6002-000175	2	O	
2	MEA HOU-SCAN UPPER	JB97-01690A	1	O	
2-1	FRAME-M_UPPER	JB61-00141A	1	O	
2-2	CBF HARNESS-OPE ENGINE	JB39-00180A	1	O	
2-3	LEVER-M_SENSOR DOC	JB66-00168A	1	O	
2-4	LEVER-M_SENSOR SCAN	JB66-00169A	1	O	
2-5	SUPPORT-M_ADF	JB61-00142A	1	O	
2-6	ICT-SPRING COIL	JG70-40514A	1	O	
2-7	SPRING ETC-LEVER SENSOR	JB61-00107A	2	O	
2-8	MEC-ANTISTATIC BRUSH	JB75-00051A	1	O	
2-9	RUBBER-ADF	JB73-00100A	1	O	
2-10	HOLDER-M_RUBBER	JB61-00143A	1	O	
S1	SCREW-TAPPING	6002-000175	4	O	

	S1	6002-000175	SCREW-TAPPING	"PWH,+,2,M3,L8,ZPC(YEL),SM20C"
	S2	6003-000196	SCREW-TAPTITE	"PWH,+,B,M3,L10,NI PLT,SWRCH18A"
	S3	6003-000269	SCREW-TAPTITE	"BH,+,S,M3,L6,ZPC(YEL),SWRCH18A"

5.3 Handset Unit Assembly

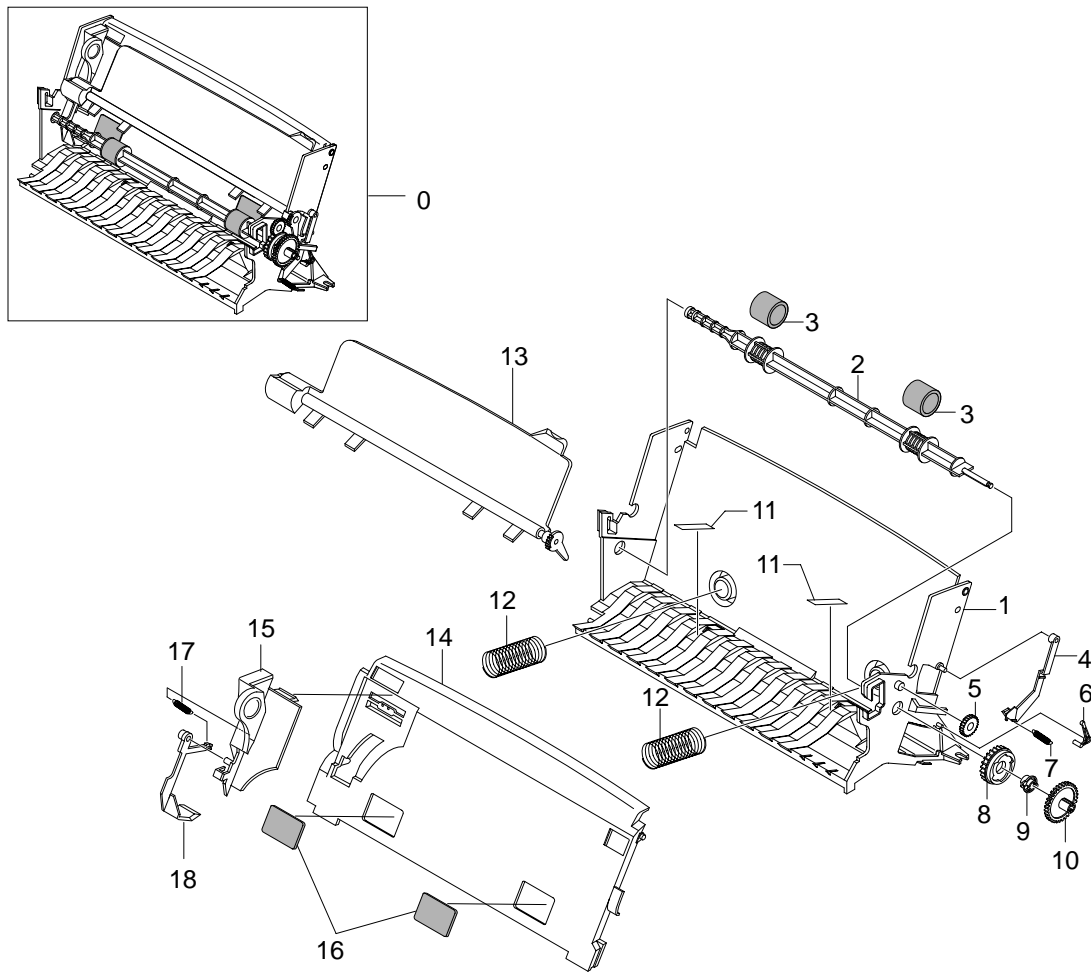


Handset Unit Assembly Parts Lists

SA : Service Available
 O : Service available X : Service not available

No.	Description	SEC.Code	Q'ty	SA	Remark
0	ELA UNIT-HANDSET	JB96-01406A	1	O	SF-330
	ELA UNIT-HANDSET(T)	JB96-01406C	1	O	SF-335T
	ELA UNIT-HANDSET	TBD	1	O	SF-331P
1	PMO-HANDSET LOWER	*	1	X	
2	RMO-RUBBER MIC	*	1	X	
3	CBF HARNESS-HANDSET MODULAR	JB39-00026A	1	O	
4	PBA SUB-ETC MIC	JF92-00625A	1	O	
5	AUDIO-RECEIVER	3009-001028	1	O	
6	RING-OP	6044-000138	1	O	
7	PPR-DUMMY HANDSET	*	1	X	
8	IPR-WEIGHT BALANCE	*	1	X	
9	PMO-HANDSET UPPER	*	1	X	

5.4 ASF Unit Assembly



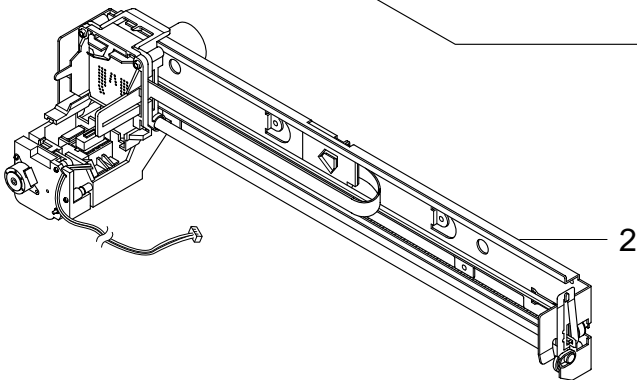
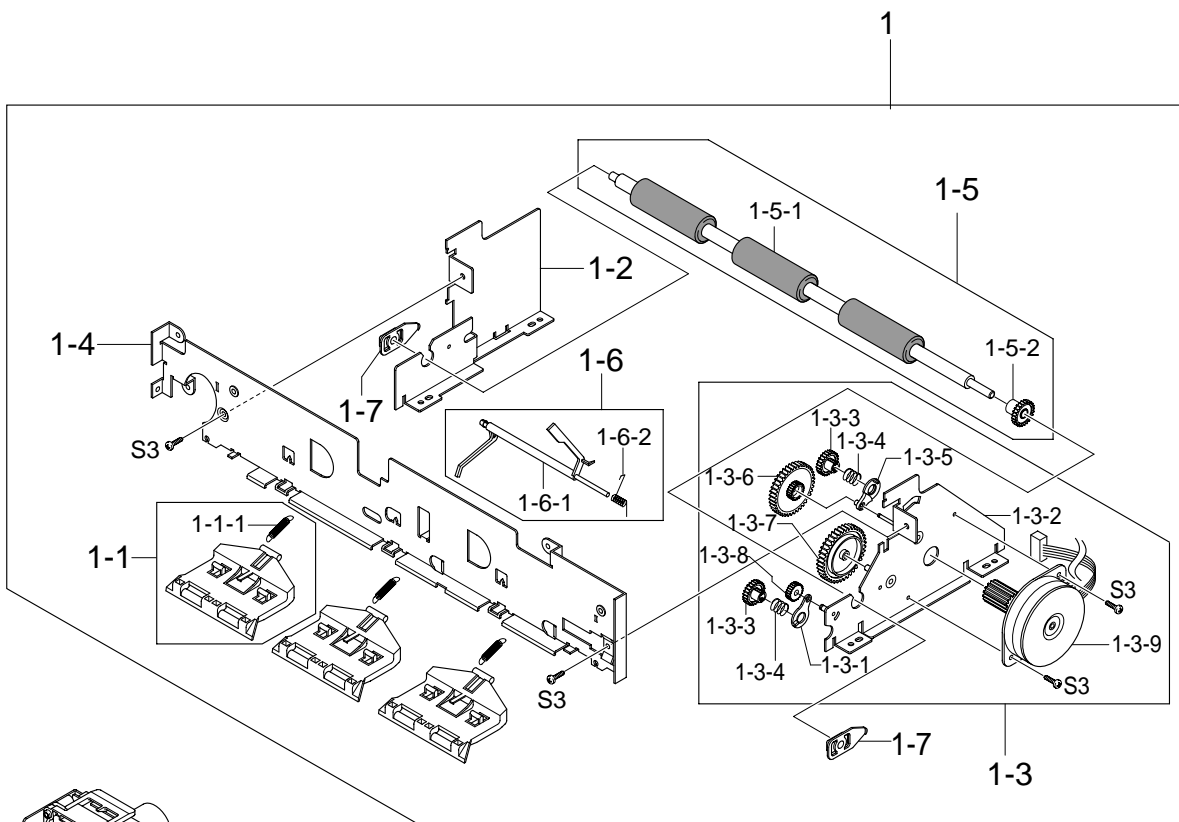
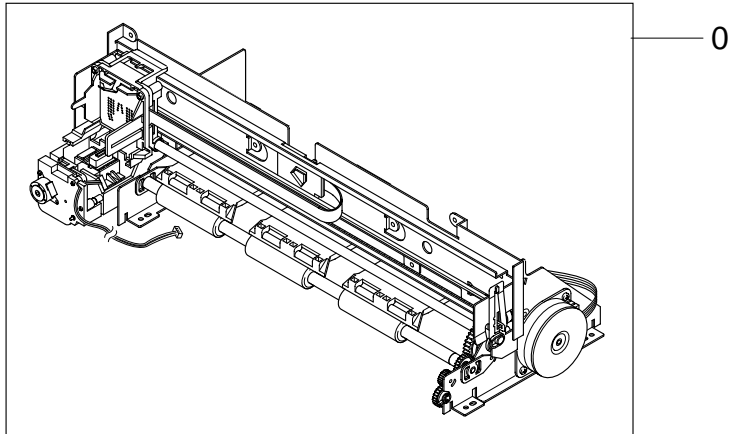
ASF Unit Assembly Parts Lists

SA : Service Available

O : Service available X : Service not available

No.	Description	SEC.Code	Q'ty	SA	Remark
0	MEA UNIT-ASF	JB97-01621A	1	O	
1	FRAME-M_ASF	JB61-00145A	1	O	
2	SHAFT-M_PICK UP	JB66-00176A	1	O	
3	RMO-PICK UP RUBBER	JB73-00009A	2	O	
4	LEVER-M_FINGER ASF	*	1	X	
5	GEAR-M_DUST IDLE 21	*	1	X	
6	LEVER-M_FINGER ASSI ASF	*	1	X	
7	SPRING-ES	6107-000011	1	O	
8	GEAR-M_PICK UP ROLLER 35	*	1	X	
9	LATCH-M_DUST	*	1	X	
10	GEAR-M_PICK UP ROLLER 30	*	1	X	
11	SHEET-FILM ASF	*	2	X	
12	SPRING ETC-CS (KNOCKUP)	*	2	X	
13	COVER-M_DUST	JB63-00040A	1	O	
14	PLATE-M_PRESSURE ASF	JB61-00146A	1	O	
15	GUIDE-M_PAPER SIDE	JB61-00144A	1	O	
16	MPR-PAD	JF74-10234A	2	O	
17	SPRING-ES	6107-001147	1	O	
18	LEVER-M_FINGER LH	*	1	X	

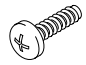
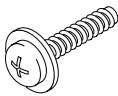
5.5 Engine Unit Assembly



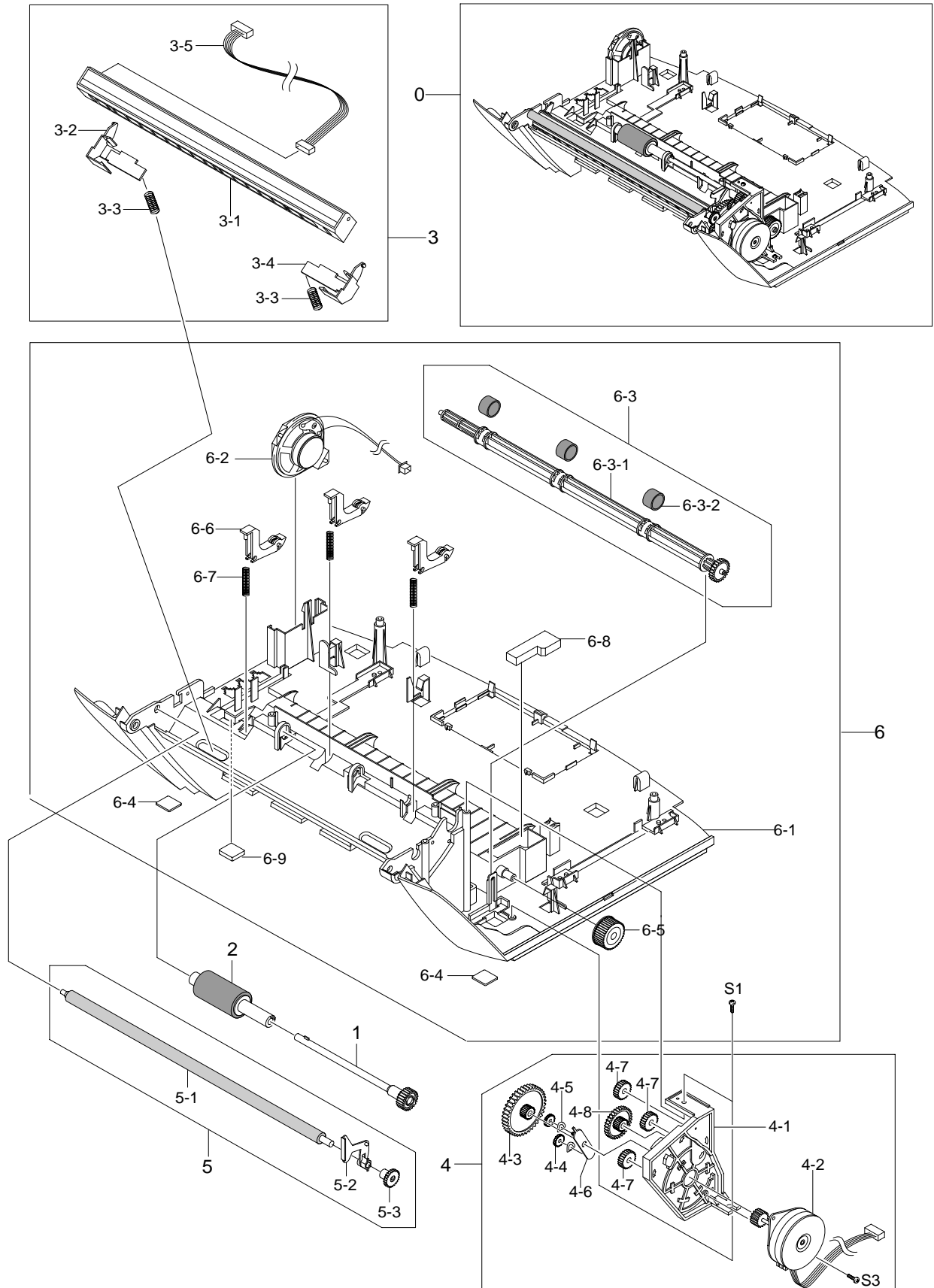
Engine Unit Assembly Parts Lists

SA : Service Available
 O : Service available X : Service not available

No.	Description	SEC.Code	Q'ty	SA	Remark
0	ELA UNIT-ENGINE	JB96-01415A	1	O	
1	MEA UNIT-FRAME MAIN	JB97-01671A	1	O	
1-1	MEA UNIT-FRICTION ROLLER	JB97-01630A	3	O	
1-1-1	SPRING-ES	6107-001138	1	O	
1-2	BRACKET-P_LEFT	JB61-00154A	1	O	
1-3	MEA UNIT-BRACKET LF	JB97-01678A	1	O	
1-3-1	CLUTCH-M_ARM EXIT 25	JB66-00182A	1	O	
1-3-2	BRACKET-P_LF RIGHT	JB61-00153A	1	O	
1-3-3	GEAR-M_SWING IDLE 25	JB66-00185A	2	O	
1-3-4	SPRING-CS	6107-001137	2	O	
1-3-5	CLUTCH-M_ARM PICK UP 25	JB66-00183A	1	O	
1-3-6	GEAR-M_LF IDLE 18/65	JB66-00186A	1	O	
1-3-7	GEAR-M_LF IDLE 47	JB66-00187A	1	O	
1-3-8	GEAR-M_EXIT IDLE 18	JB66-00184A	1	O	
1-3-9	MOTOR-STEP LF	JB31-00026A	1	O	
1-4	BRACKET-P_FRAME MAIN	JB61-00150A	1	O	
1-5	MEA UNIT-FEED ROLLER	JB97-01631A	1	O	
1-5-1	MEC-ROLLER FEED	*	1	X	
1-5-2	GEAR-M_FEED ROLLER 29	JB66-00181A	1	O	
1-6	MEA ETC-LEVER ACTUATOR	*	1	X	
1-6-1	SPRING ETC-CS ACTUATOR	JB61-70919A	1	O	
1-6-2	LEVER-M_FEED SENSOR	JB66-00180A	1	O	
1-7	BUSH-M_FEED ROLLER	JB61-00151A	2	O	
2	ELA UNIT-ENGINE HP	JB96-01407A	1	O	
S3	SCREW-TAPTITE	6003-000269	4	O	

	S1	6002-000175	SCREW-TAPPING	"PWH,+,2,M3,L8,ZPC(YEL),SM20C"
	S2	6003-000196	SCREW-TAPTITE	"PWH,+,B,M3,L10,NI PLT,SWRCH18A"
	S3	6003-000269	SCREW-TAPTITE	"BH,+,S,M3,L6,ZPC(YEL),SWRCH18A"

5.6 Base Unit Assembly


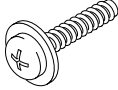
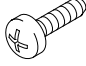


Base Unit Assembly Parts Lists

SA : Service Available

O : Service available X : Service not available

No.	Description	SEC.Code	Q'ty	SA	Remark
0	ELA UNIT-BASE	Refer to Info.	1	O	
1	SHAFT-M_DRIVER ADF	JB66-00166A	1	O	
2	MEA UNIT-ROLLER ADF	JB97-01620A	1	O	
3	ELA UNIT-CIS	JB96-01410A	1	O	
3-1	CONTACT IMAGE SENSOR	0609-001174	1	O	
3-2	GUIDE-M_CIS L	JB61-00138A	1	O	
3-3	SPRING ETC-CIS(ATLAS)	JB61-70938A	2	O	
3-4	GUIDE-M_CIS R	JB61-00137A	1	O	
3-5	CBF HARNESS-CIS LIU	JB39-00176A	1	O	
4	ELA UNIT-SCAN MOTOR	JB96-01405A	1	O	
4-1	BRACKET-M_TX	*	1	X	
4-2	MOTOR STEP-TX	JB31-00025A	1	O	
4-3	PMO-GEAR DEACC(1)	*	1	X	
4-4	PMO-GEAR CLUTCH	*	2	X	
4-5	SPRING ETC-CLUTCH	*	2	X	
4-6	GUIDE-M_SWING	*	1	X	
4-7	GEAR-IDLE	*	3	X	
4-8	GEAR-TRANS	*	1	X	
5	MEA ETC-ROLLER WHITE	JB97-01207A	1	O	
5-1	MEC-ROLLER WHITE	*	1	X	
5-2	PMO-BUSHING WHITE	*	1	X	
5-3	GEAR-DRIVE	*	1	X	
6	MEA HOU-COVER BASE	Refer to Info.	1	O	
6-1	COVER-M_BASE	*	1	X	
6-2	SPEAKER	3001-001293	1	O	
6-3	MEA UNIT-ROLLER EXIT	*	1	X	
6-3-1	SHAFT-M_RX EXIT	JB66-00178A	1	O	
6-3-2	RUBBER-EXIT ROLLER	JB73-00095A	3	O	
6-4	FOOT	JG61-40001A	2	O	
6-5	GEAR-M_EXIT IDLE 35	JB66-00179A	1	O	
6-6	MEA UNIT-LEVER EXIT	JB97-01628A	3	O	
6-6-1	PMO-LEVER EXIT	JB72-40933A	1	O	
6-7	SPRING ETC-CS(EXIT)	JB61-70907A	3	O	
6-8	FELT-INK	JB63-00053A	1	O	
6-9	PPR-JAK DUMMY	Refer to Info.	1	O	
S1	SCREW-TAPPING	6002-000175	2	O	
S3	SCREW-TAPTITE	6003-000269	1	O	

	S1	6002-000175	SCREW-TAPPING	"PWH,+,2,M3,L8,ZPC(YEL),SM20C"
	S2	6003-000196	SCREW-TAPTITE	"PWH,+,B,M3,L10,NI PLT,SWRCH18A"
	S3	6003-000269	SCREW-TAPTITE	"BH,+,S,M3,L6,ZPC(YEL),SWRCH18A"