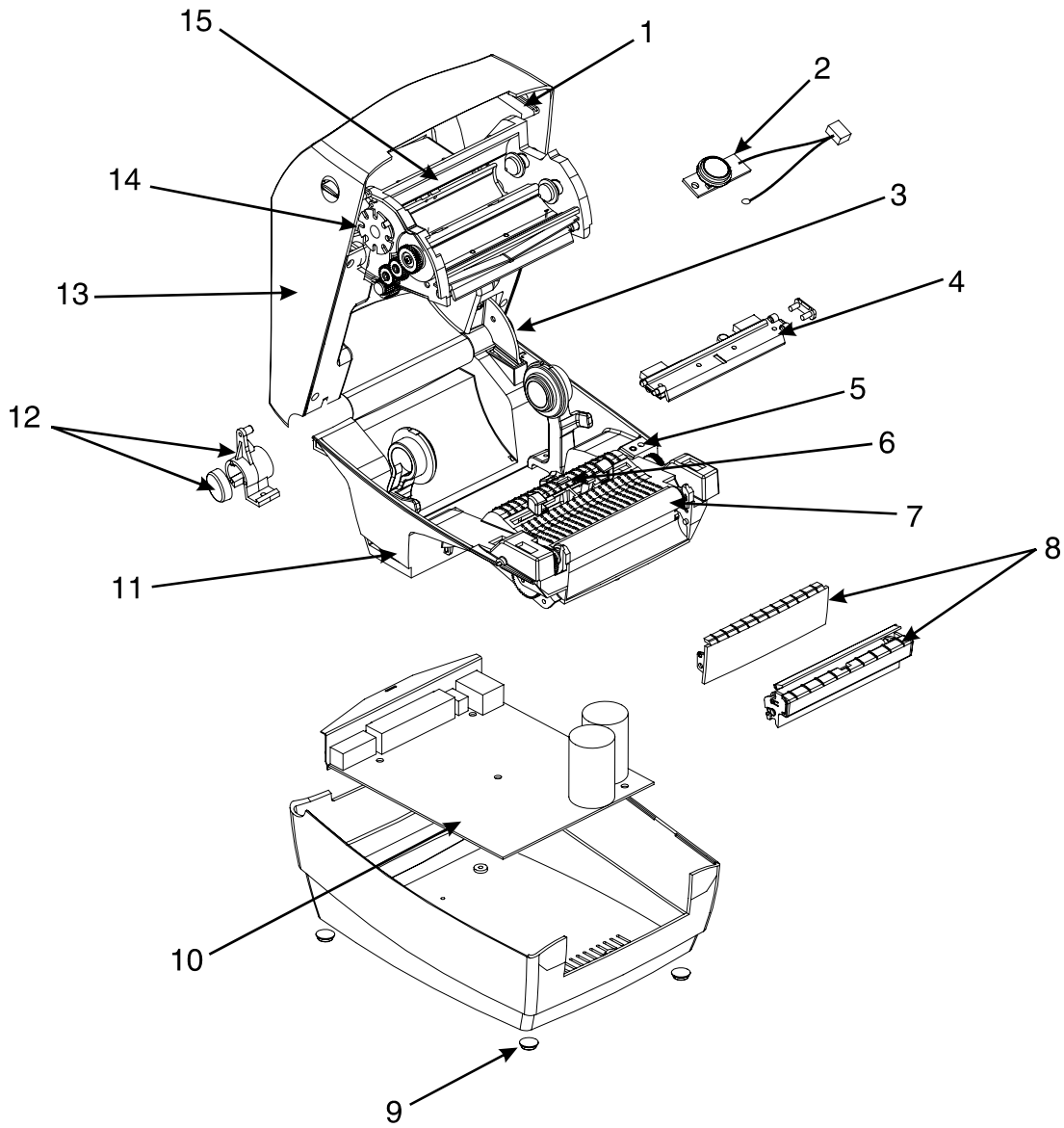


TLP 2844



Spare Parts List Desktop Printers

TLP2844

Item #	Description	Part Number	Support Qty. ¹
1	Latch Assy.	105910-052	4
2	Feed Switch/Sensor Assy. (set of 3)	105910-064	8
3	Upper Cover Support (set of 3)	105910-066	4
4	Printhead Assy., TLP2844, TLP2844 Z, R2844 Z (203 dpi) Print Head Cable Assy.	105910-053	4
		105910-065	4
5	Head Up Sensor	105910-072	4
6	Gap/Blackline Sensor PCBA (set of 3)	105910-054	4
7	Platen Kit, std. (set of 3)	105910-055	4
8	Front Bezel, std. (set of 10) Front Bezel, Dispenser (set of 1) Label Taken Sensor PCBA (set of 3)	105910-057	4
		105910-022	4
		105910-013	8
9	Rubber Foot Kit (set of 24)	105910-007	4
10	Main Control PCBA, Par./RS-232/USB, Full Memory, Cutter compatible Kit, Ethernet IO PCBA with cables Main Control PCBA, Ethernet ready/RS-232/USB, Full Memory, Cutter compatible Kit, PrintServerII Daughter Board Kit, 4" Ethernet Back Panel Real Time Clock / Date I.C.	105910-050	4
		105910-121	4
		105910-122	4
		105910-123	4
		105910-124	4
		105950-026	4
11	Bottom Frame Assy.	105910-071	4
12	Cover Hinge (set of 10)	105910-074	4
13	Upper Cover Assy.	105910-060	4
14	Ribbon Out Sensor (set of 3)	105910-067	4
15	Ribbon Carriage w/o print head	105910-061	4
Not Shown	Motor (set of 2)	105910-051	1
	Power Supply, 100V-240V (C7) with US, Euro, U.K. & Australia Cords	105950-043	4
	Power Cord, U.S. 120V, IEC320C7(set of 5)	105950-038	1
	Power Cord, Euro 220V, IEC320C7(set of 5)	105950-039	1
	Power Cord, U.K. 240V, IEC320C7(set of 5)	105950-040	1
	Power Cord, Australia 240V, IEC320C7(set of 5)	105950-041	1
	Power Cord, U.S. 120V IEC320C13 (set of 5)	105950-014	1
	Power Cord, Euro 220V IEC320C13 (set of 5)	105950-015	1
	Power Cord, Australia 240V IEC320C13 (set of 5)	105950-029	1
	Power Cord, U.K. 240V IEC320C13 (set of 5)	105950-030	1
	Cutter Replacement Kit, TLP	105910-028	1
	Ribbon Core, 4" thermal transfer (set of 50)	105903-053	A/R
	Shipping Pack	105950-050	A/R
	CD-ROM, EPL Desktop Printers Software & Documentation	105950-028	A/R
	CD-ROM, Service Documentation	105950-051	A/R

Notes: 1 - Recommended quantity to support 100 printers.